

Metropolitan Building

Spectrum[®]

HO SCALE

cityscenes[™]

ASSEMBLY INSTRUCTIONS



Item #88003

roof and sidewalk detailing accessories

Your kit is complete with Roof and Sidewalk Detailing Accessories. Some, such as Roof Vents Parts (11) and Fire Hydrants Parts (8), do not require assembly. Others require assembly as shown.

After assembly, position the accessories on or around your building as required.
Suggested locations:

BUILDING ROOF TOP

Roof Vents
Rotary Exhaust Vents

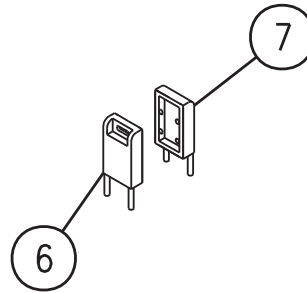
SIDEWALK

Mail/Express Boxes
Fire Hydrants

NOTE: Dry Fit each part before assembly. Glue should be applied sparingly to the assembly tabs.
For added detail, parts can be individually painted before assembly.

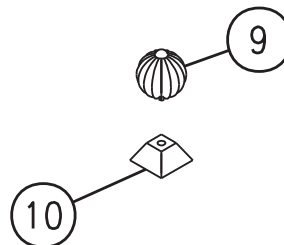
MAILBOXES

1. Assemble Mailbox Halves (6) and (7).



ROTARY EXHAUST VENTS

1. Assemble Rotary Vent (9) to Base (10).



AFTER YOU COMPLETE THIS ASSEMBLY STEP, YOU WILL HAVE SOME PARTS LEFT OVER. THESE PARTS ARE NOT NEEDED. YOU MAY USE PARTS FOR SCRATCHBUILDING PROJECTS.

READ PRIOR TO ASSEMBLY

TO ENHANCE THE AESTHETIC AND REALISTIC QUALITIES OF THIS BUILDING, PARTS HAVE BEEN DESIGNED AND MANUFACTURED IN SCALE PROPORTIONS. AS A RESULT, SOME PARTS ARE FRAGILE AND REQUIRE CARE IN ASSEMBLY. THEREFORE... EASY DOES IT. AS WITH ANY MODEL BUILDER KIT, A DEGREE OF PATIENCE IS REQUIRED TO ACHIEVE THE BEST RESULTS.

ASSEMBLY HINTS

- Read through these instructions and examine the parts supplied to familiarize yourself with all aspects of the building prior to assembly.
- Remove the parts as needed, not at random.
- To remove the parts from the sprues, cut, not break, each part.
- However, when removing Clear Parts from the sprue, bend the Clear Part back and forth. The bending action will safely remove part from sprue.
- If you choose to paint any parts, we suggest you do so prior to assembly.
- To ensure a nice, tight fit, carefully remove all excess sprue marks with a modeling knife or hobby file. This is a necessity or parts will not fit properly.
- Follow the sequence guide to ensure correct placement of the parts.
- VERY IMPORTANT - Before gluing, dry fit the parts.
- Use glue sparingly, especially when assembling Window Frames and Clear Parts. These parts have been designed to tight tolerances, in many cases enabling you to trap the Window Frames between the Wall and the Clear Part, and therefore require only "tack" gluing.
- All Window Clear Parts are marked "**THIS SIDE UP.**" For proper assembly, be sure "**THIS SIDE UP**" is facing you and legible when assembling. This will properly orient the part to slide easily onto locator tabs.
- Prior to assembling a Window Clear Part, be sure you have matched "Open" and "Closed" Window Frames with "Open" and "Closed" (solid) Clear Parts (if applicable to your model). The Clear Parts, once mounted on the mounting tab, are difficult to remove from the tab. If the Clear Part must be removed, gently pry the Clear Part upward until loose. When mounting Window Frames, be careful that they are positioned correctly, according to the instructions of your specific model.
- Prior to assembly, brick areas can be enhanced by adding modeling mortar (if applicable for your model). We use Robert's Brick Mortar Formula. It's easy to apply and looks great. For product information, contact Robert's Products Co., P.O. Box 270057, Milwaukee, WI 53227.
- Use the full-color box lid as a helpful guide during assembly.
- Now it's time to break ground for the construction of your Cityscenes™ building. Take your time and have fun!

RECOMMENDED TOOLS

Modeling Knife - For removing parts from sprue and trimming.

Hobby File - For removing sprue marks.

Glue - Preferably a liquid, easy-to-brush adhesive. Use it sparingly.

3/8 - 1/2" Brush - Helpful in spreading glue on larger areas.

Tweezers - For assembling smaller parts.

Sandpaper or Emery Board - For removing flash.

main building assembly

When assembling Walls, carefully align Wall tabs with each Wall. Dry fit each part before applying glue. Apply glue sparingly on the assembly tabs and on the lower backside edge of walls before assembling to Base (1).

ASSEMBLE IN SEQUENCE:

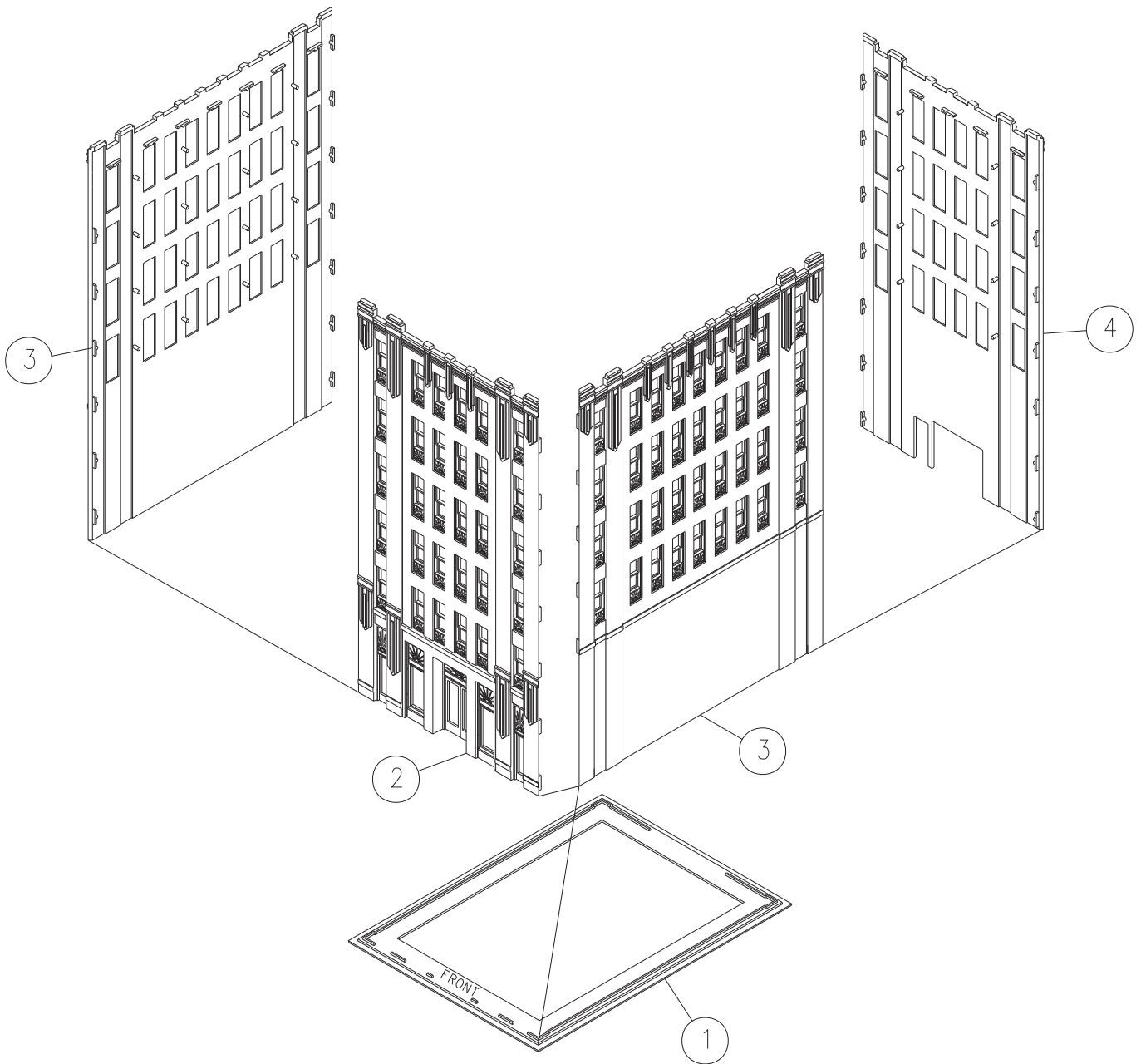
1. Front Wall (2) to Base (1).

NOTE: The Front of Base (1) is identified by the "FRONT" marking engraved on base.

2. Right Side Wall (3) to Base (1) and Front Wall (2).

3. Back Wall (4) to Base (1) and Right Side Wall (3).

4. Left Side Wall (3) to Base (1) and Front Wall (2) and Back Wall (4).



main wall sub assemblies (continued)

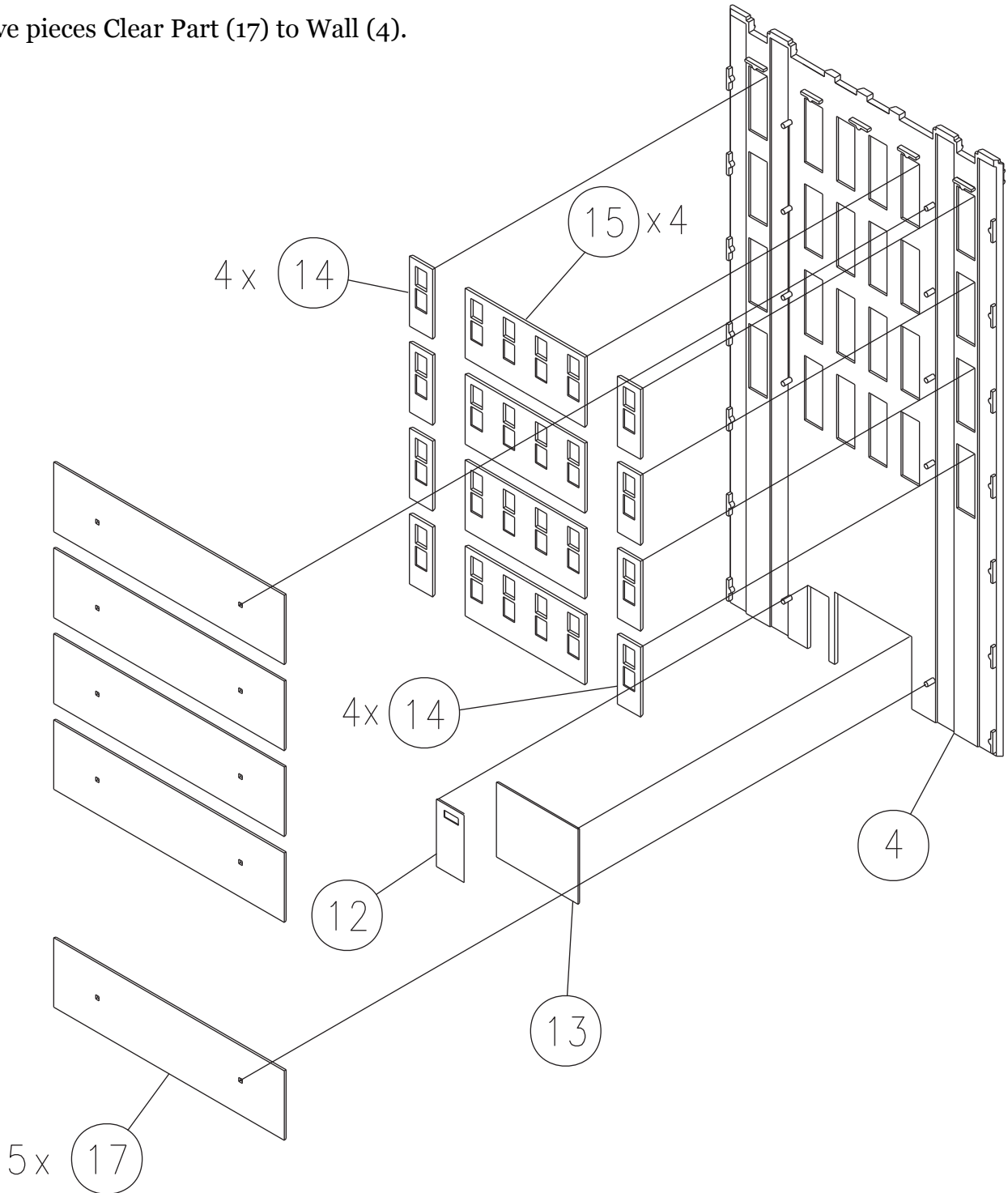
ASSEMBLE WALL (4) IN SEQUENCE:

DOOR AND WINDOWS:

1. One piece Door (12) and one piece Freight Door (13) to Wall (4).
NOTE: Doors (12) and (13) are properly positioned when bottom of doors are flush with Wall (4).
2. Four pieces Windows (15) to Wall (4).
3. Eight pieces Windows (14) to Wall (4).

CLEAR PARTS

1. Five pieces Clear Part (17) to Wall (4).



main wall sub assemblies (continued)

ASSEMBLE WALL (2) IN SEQUENCE:

DOOR AND WINDOWS:

1. One Main Entrance Door (9) to Wall (2).

NOTE: Main Entrance Door (9) is properly positioned between raised edges of door opening on Wall (2). Make sure bottom of Main Entrance Door (9) is flush with bottom of Wall (2).

2. Two pieces Display Windows (10) to Wall (2).

3. Two pieces Display Windows (11) to Wall (2).

4. Ten pieces Windows (14) to Wall (2).

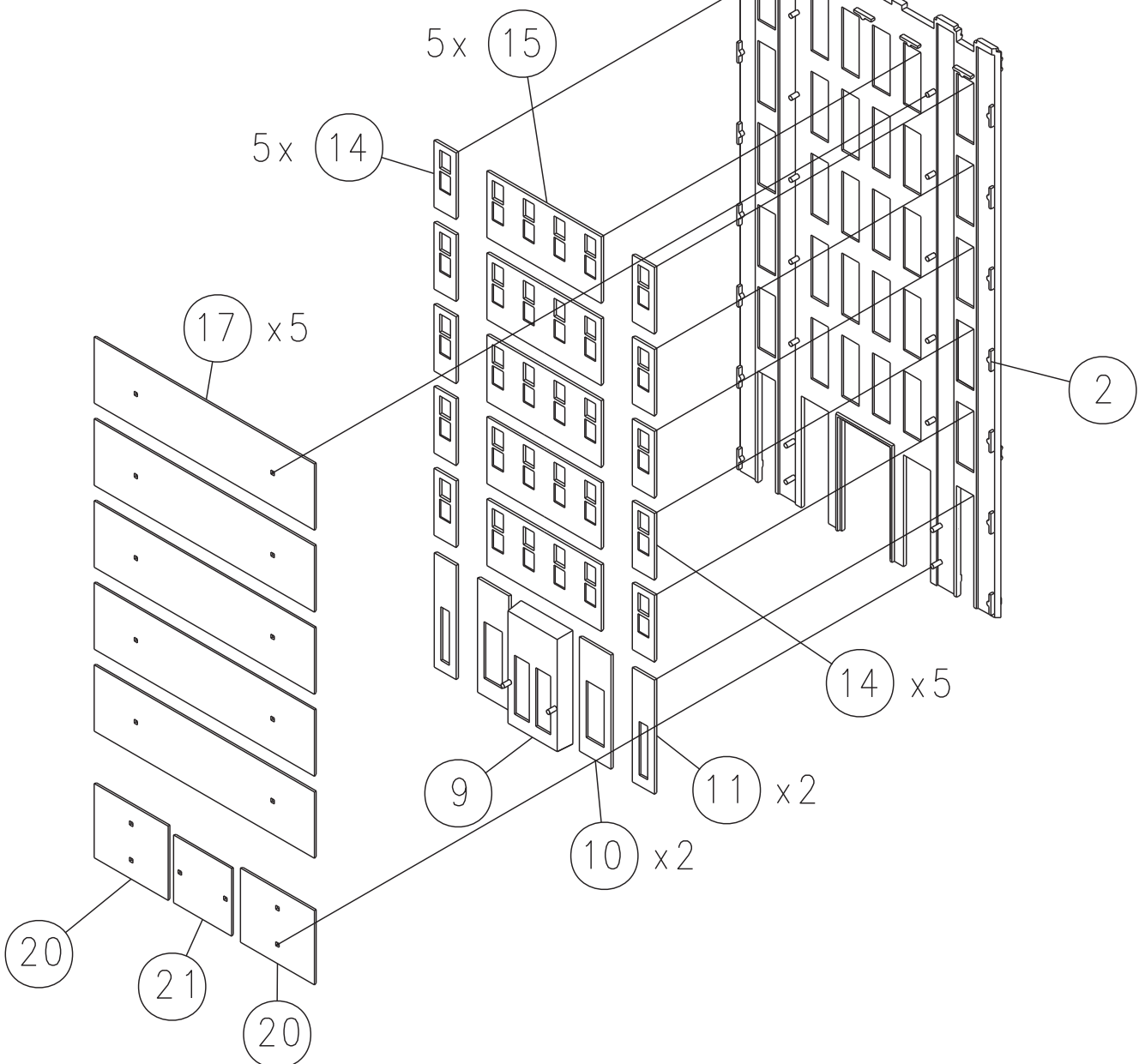
5. Five pieces Windows (15) to Wall (2).

CLEAR PARTS:

1. One piece Clear Part (21) to Door (9).

2. Two pieces Clear Part (20) to Wall (2).

3. Five pieces Clear Part (17) to Wall (2).



tower wall sub assemblies

Assemble TWO each of Walls (6) and (7). Completely assemble one wall prior to beginning assembly of another wall. Assemble all parts to **BACKSIDE** of the Walls. It is recommended that you position **ALL** Windows into the wall, then assemble **ALL** clear parts. When properly positioned, the Windows fit solidly into the wall opening; the Clear Part(s) fit onto locator tabs extending from Wall. If desired, use glue on Windows and Clear Parts.

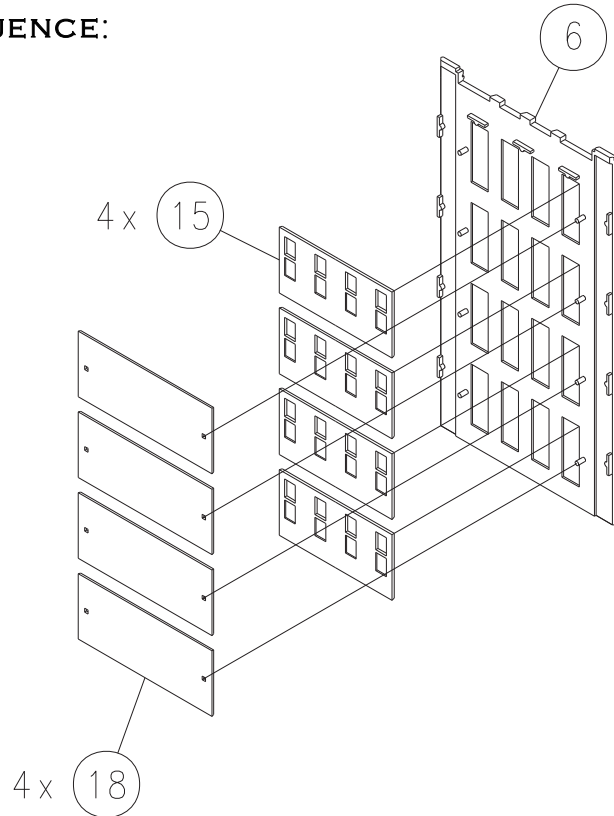
ASSEMBLE TWO PIECES WALL (6) IN **SEQUENCE**:

WINDOWS:

1. Four pieces Windows (15) to Wall (6).

CLEAR PARTS:

1. Four pieces Clear Part (18) to Wall (6).



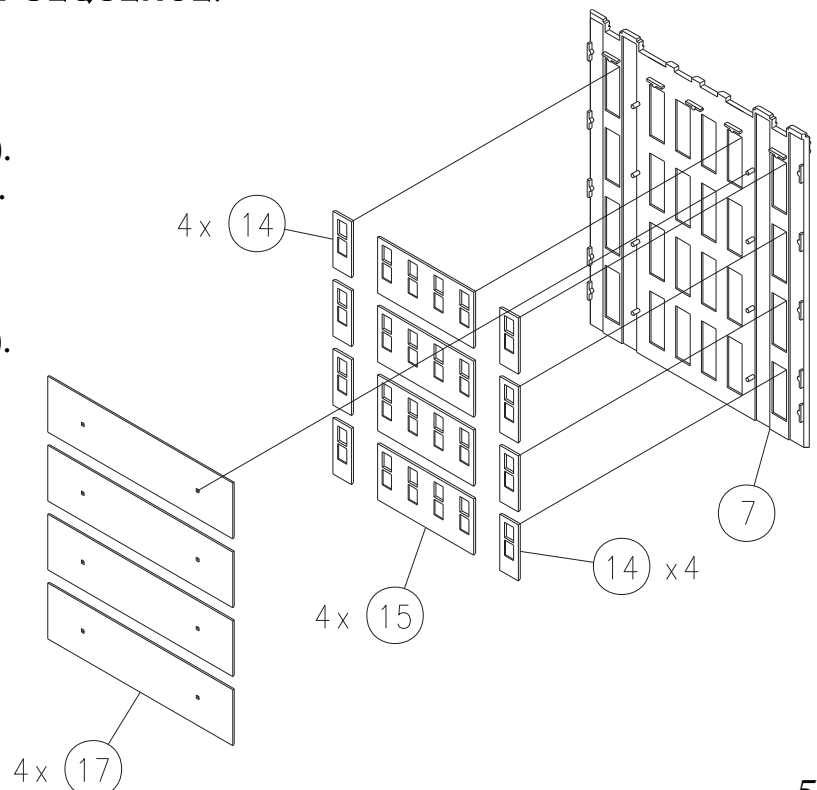
ASSEMBLE TWO PIECES WALL (7) IN **SEQUENCE**:

WINDOWS:

1. Eight pieces Windows (14) to Wall (7).
2. Four pieces Windows (15) to Wall (7).

CLEAR PARTS:

1. Four pieces Clear Part (17) to Wall (7).



main wall sub assemblies

Completely assemble one wall prior to beginning assembly of another wall. Assemble all parts to **BACKSIDE** of the Walls. It is recommended that you position **ALL** Windows and Doors (if applicable) into the wall, then assemble **ALL** clear parts. When properly positioned, the Windows and Doors fit solidly into the wall opening; the Clear Part(s) fit onto locator tabs extending from Wall. If desired, use glue on Windows and Clear Parts.

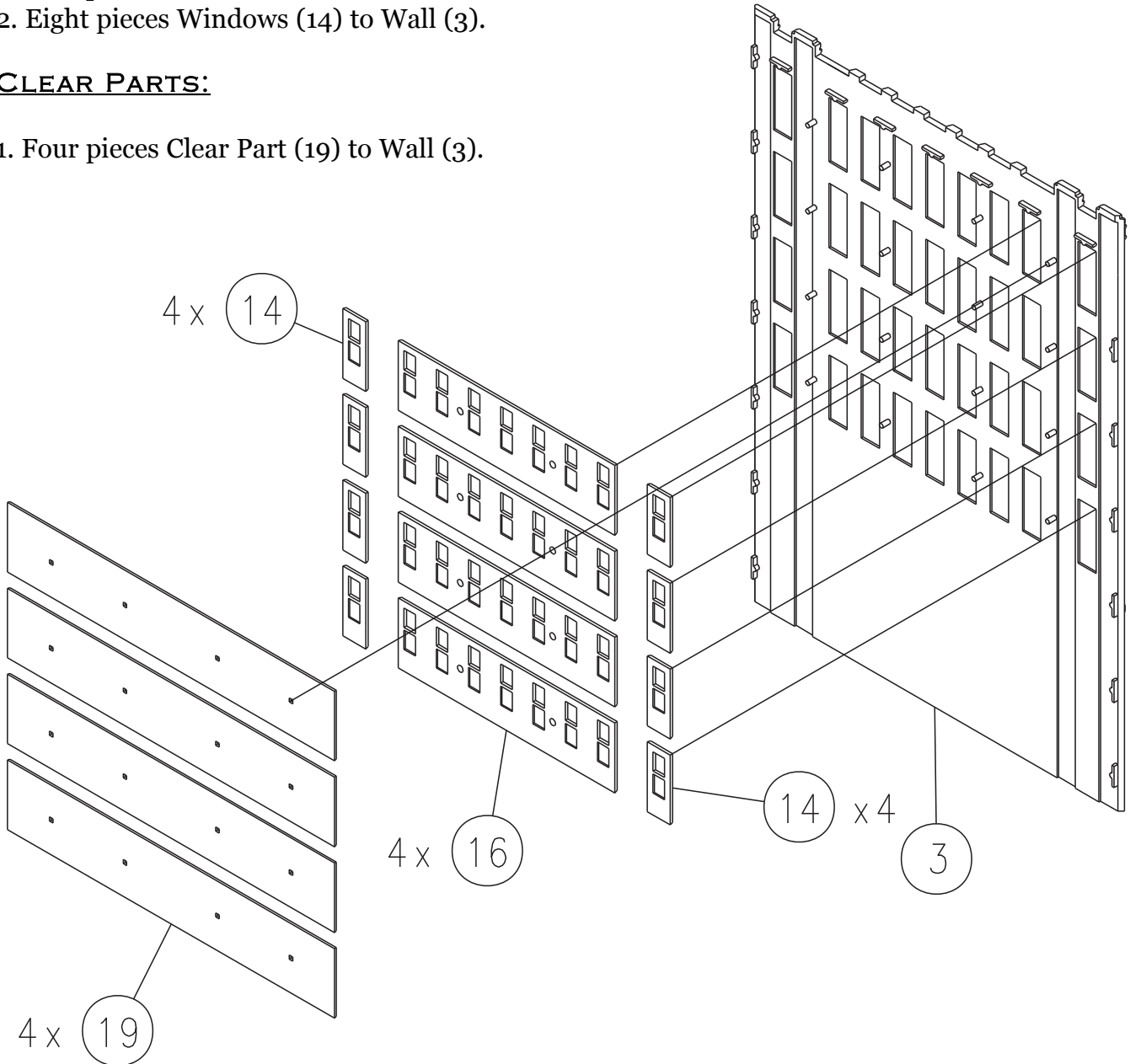
ASSEMBLE TWO PIECES WALL (3) **IN SEQUENCE:**

WINDOWS:

1. Four pieces Windows (16) to Wall (3).
2. Eight pieces Windows (14) to Wall (3).

CLEAR PARTS:

1. Four pieces Clear Part (19) to Wall (3).



tower assembly

When assembling Walls, carefully align Wall tabs with each Wall. Dry fit each part before applying glue. Apply glue sparingly on the assembly tabs and on the lower backside edge of walls.

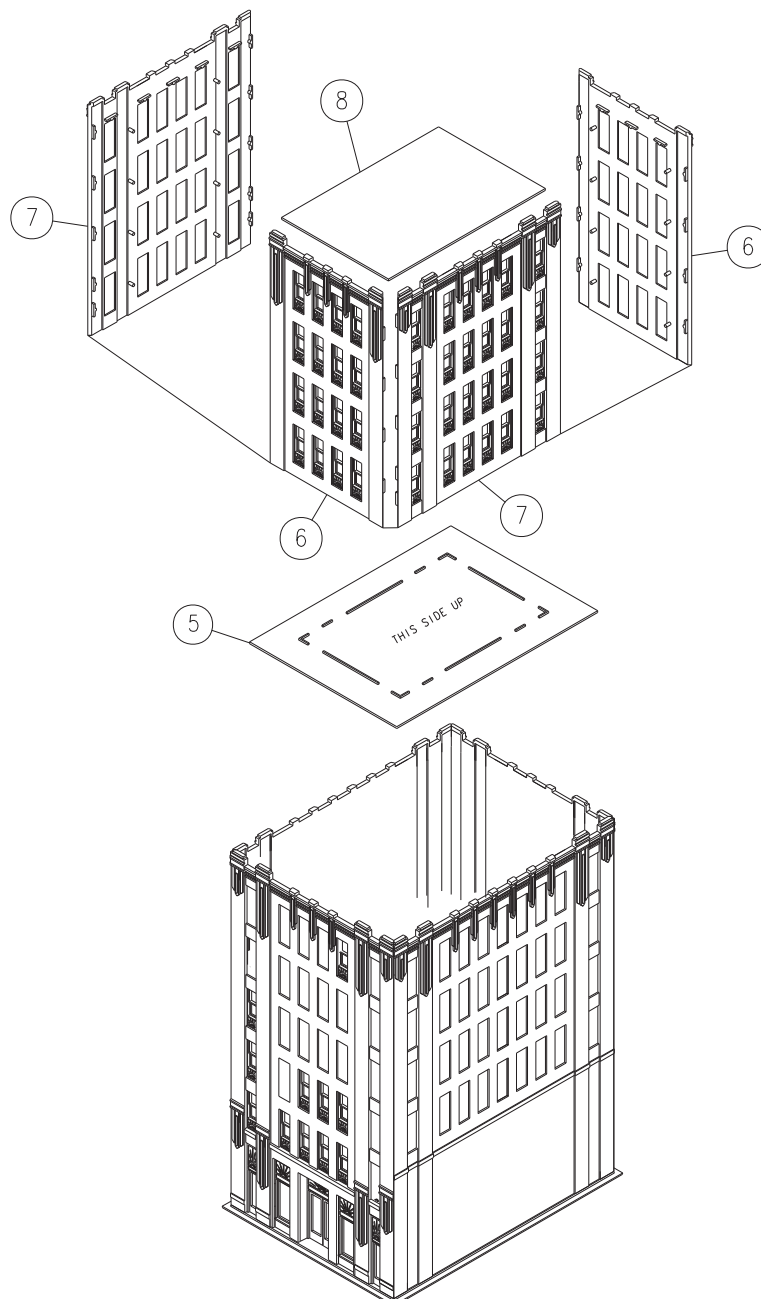
ASSEMBLE IN SEQUENCE:

1. Front Wall (6) to assembly tabs Roof (5).

NOTE: When assembling Tower Walls to Roof (5), assure that TEXTURED side with the wording “THIS SIDE UP” is exposed.

2. Right Side Wall (7) to assembly tabs Roof (5) and Front Wall (6).
3. Back Wall (6) to assembly tabs Roof (5) and Right Side Wall (7).
4. Left Side Wall (7) to assembly tabs Roof (5), Front Wall (6) and Back Wall (6).
5. Roof (5), with assembled tower, to assembly tabs of all four Walls of Main Building.
6. Roof (8) to assembly tabs of all four Tower Walls.

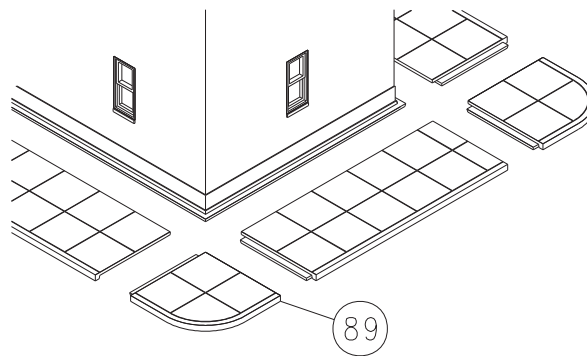
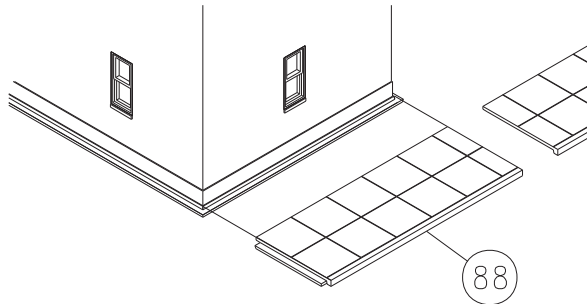
NOTE: When assembling Roof (8), assure that the TEXTURED side is exposed.



sidewalk assembly

Depending on the location of this building on your layout, you have the option of placing Sidewalks on one, two, three, or four sides of this building. Cut each Sidewalk Section (88) to the proper length for an appropriate fit. Use Corners (89) to connect the straight Sidewalk sections (88).

NOTE: The Sidewalks included with this kit are compatible with the Street and Sidewalk System made by Wm. K. Walthers Co. Milwaukee, WI.



Decals

Custom decals have been included with your kit and can be applied at your discretion. Application directions are provided on the back of the decal envelope.

DAMAGED OR MISSING PARTS:

We take great care in ensuring that all parts are present and in good condition. In the unlikely event that a part is missing or damaged, our Service Department will be happy to assist you. For more information contact:



Service Department
Bachmann Industries, Inc.
1400 East Erie Avenue
Philadelphia, Pennsylvania 19124

Phone: 1-800-356-3910



Bachmann Industries, Inc., 1400 East Erie Avenue, Philadelphia, PA 19124
www.bachmanntrains.com
Printed in Denmark.