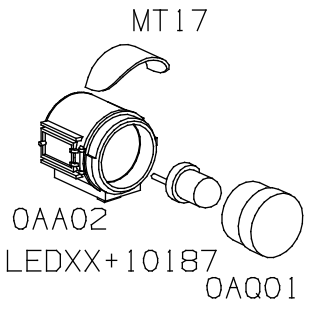
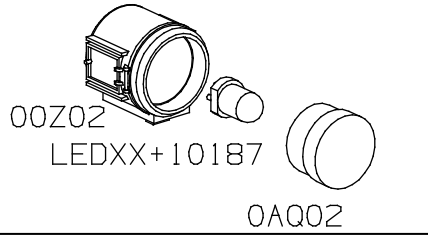
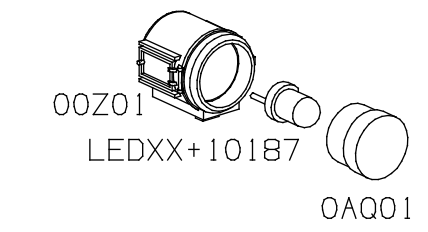
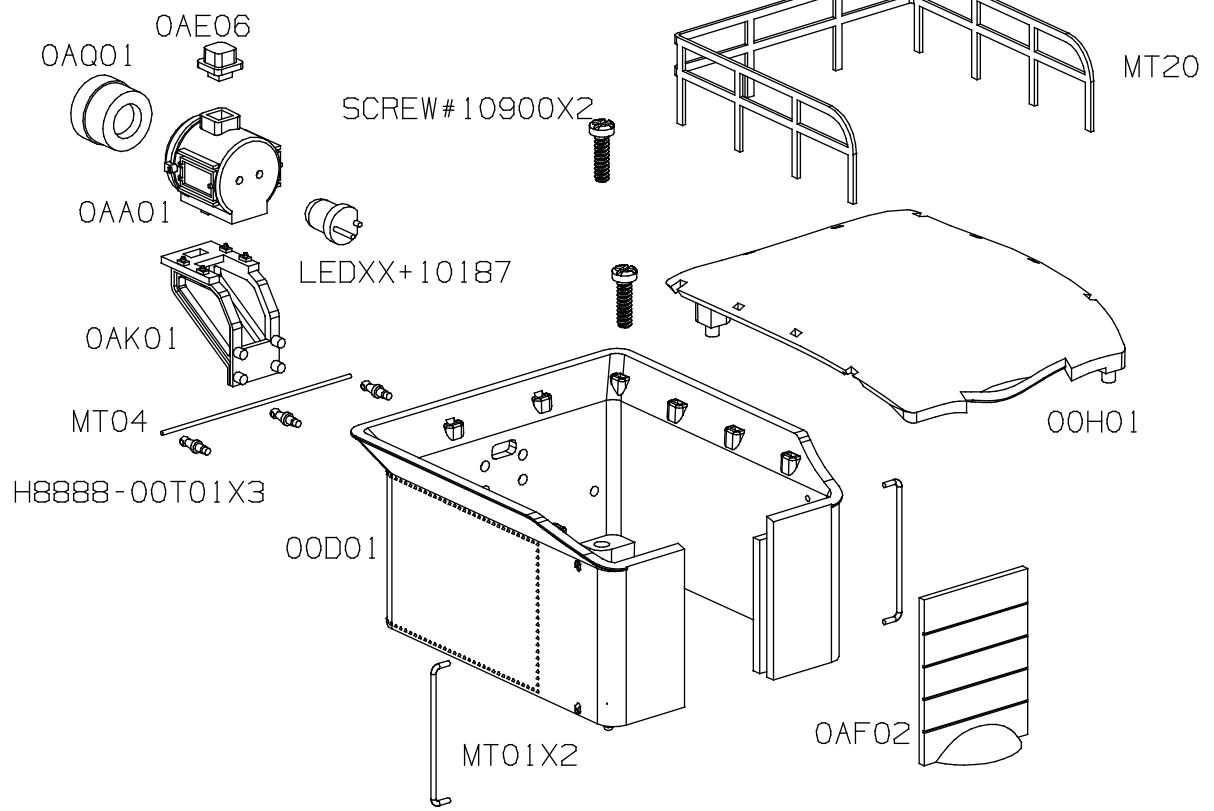
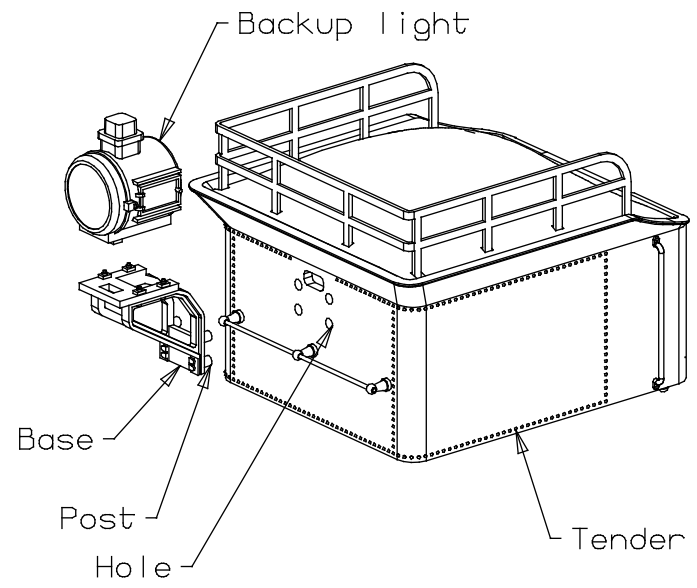


ACCESSORY PATRS



BACKUP LIGHT ACCESSORY PATRS



Interchange of backup light

1. Direct remove the backup light(with base) from tender.
2. Glue the backup light on base if need and tight fit the base posts on rear tender holes.