

O SCALE

PLASTICVILLE U.S.A.®



DINER - Item No. 45605

Snap-fit • No glue necessary • Styled after authentic American prototype • Ages 14+

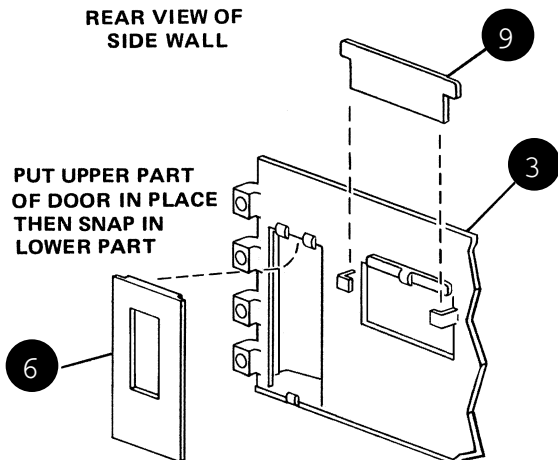
IMPORTANT - BEFORE STARTING:

- IF DECALS OR SIGNS ARE INCLUDED, APPLY PRIOR TO ASSEMBLY.
- CHECK CONTENTS AGAINST LIST OF PARTS.
- CAREFULLY TRIM ANY EXCESS PLASTIC FROM THE PARTS BEFORE ASSEMBLING.
- ALTHOUGH NO GLUE IS NECESSARY, YOU MAY ALSO WISH TO ADD A FEW DROPS OF STYRENE CEMENT TO JOINTS FOR PERMANENT CONSTRUCTION.

③ = PART NUMBER

③ = ASSEMBLY SEQUENCE NUMBER

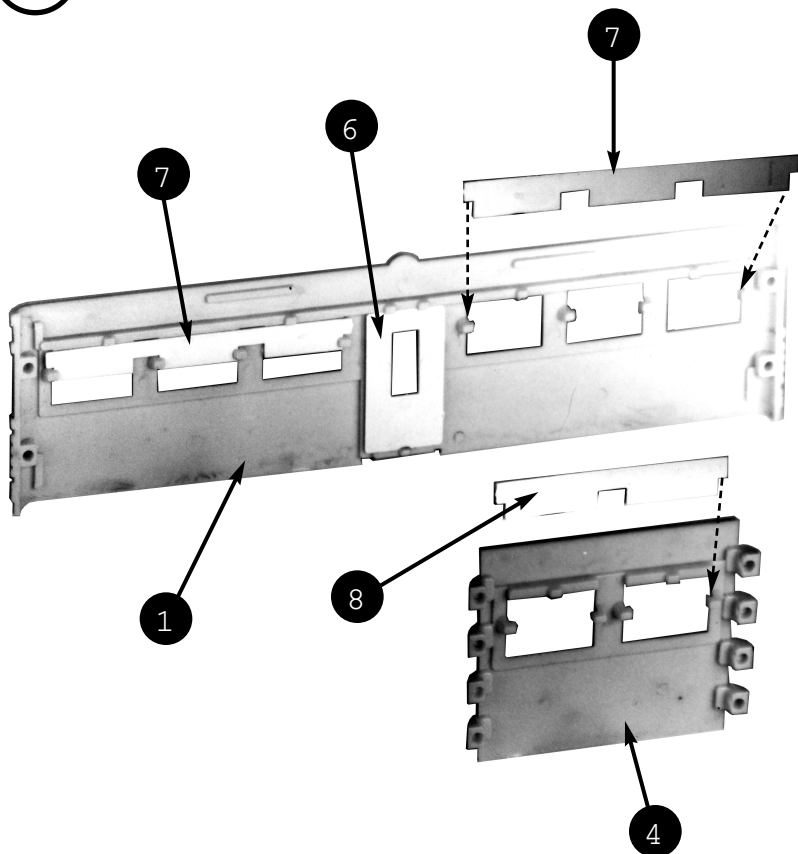
1



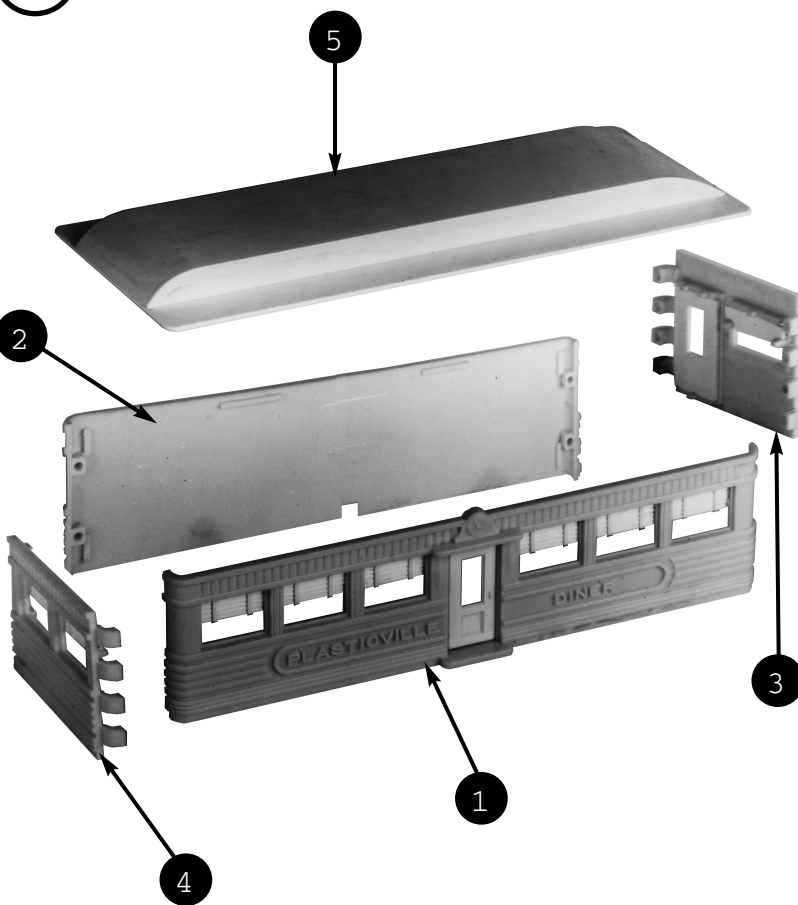
LIST OF PARTS

<u>PART NO.</u>	<u>PART NAME</u>	<u>QTY</u>
1	Front Wall with Door	1
2	Back Wall	1
3	Side Wall with Door & Window	1
4	Side Wall with Windows	1
5	Roof	1
6	Doors	2
7	Three-Window Shades	2
8	Two-Window Shade	1
9	One-Window Shade	1

2



3



BACHMANN INDUSTRIES, INC.
1400 EAST ERIE AVENUE
PHILADELPHIA, PA 19124 USA
www.bachmanntrains.com



PRINTED IN CHINA