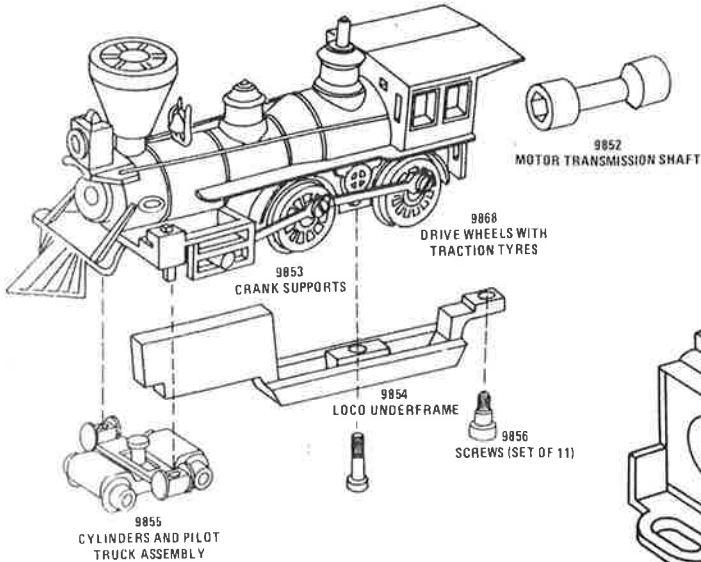
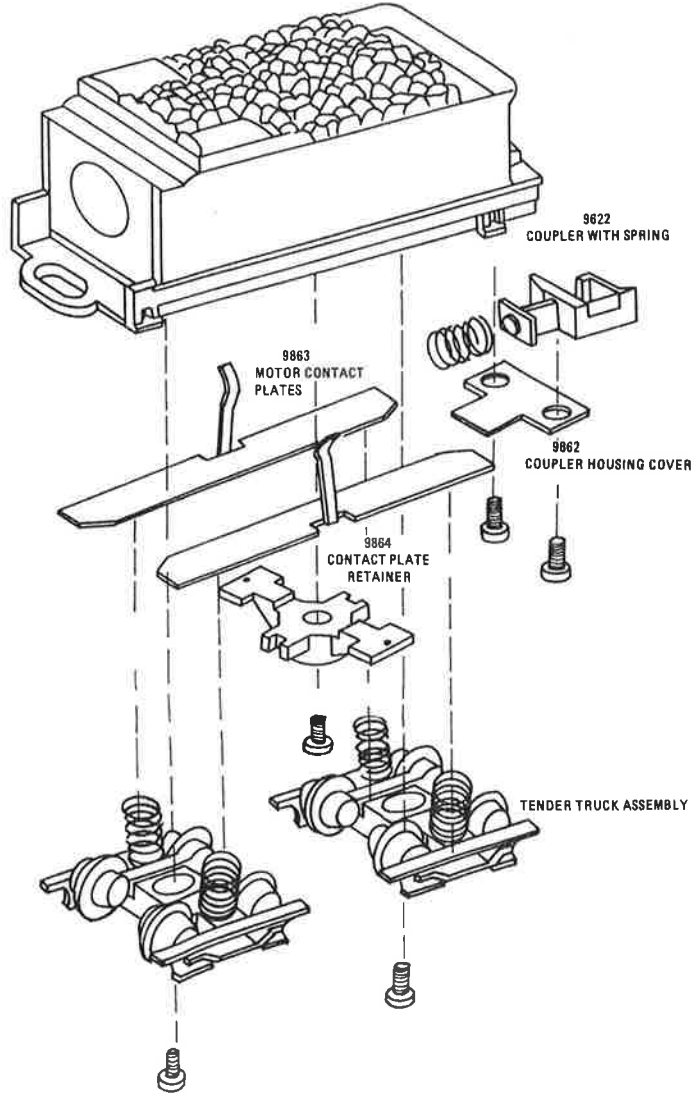


TO REPLACE TRACTION TYRES LOOSEN
WHEEL SCREWS AND SIDE ROD FIRST

AMERICAN 4 4 0 LOCO SHELL
9850 CENTRAL PACIFIC
9851 UNION PACIFIC



TENDER COMPLETE WITH BUILT IN MOTOR
9860 CENTRAL PACIFIC
9861 UNION PACIFIC



BACHMANN 1400 E. ERIE AVENUE
PHILADELPHIA, PA. 19124 U.S.A.