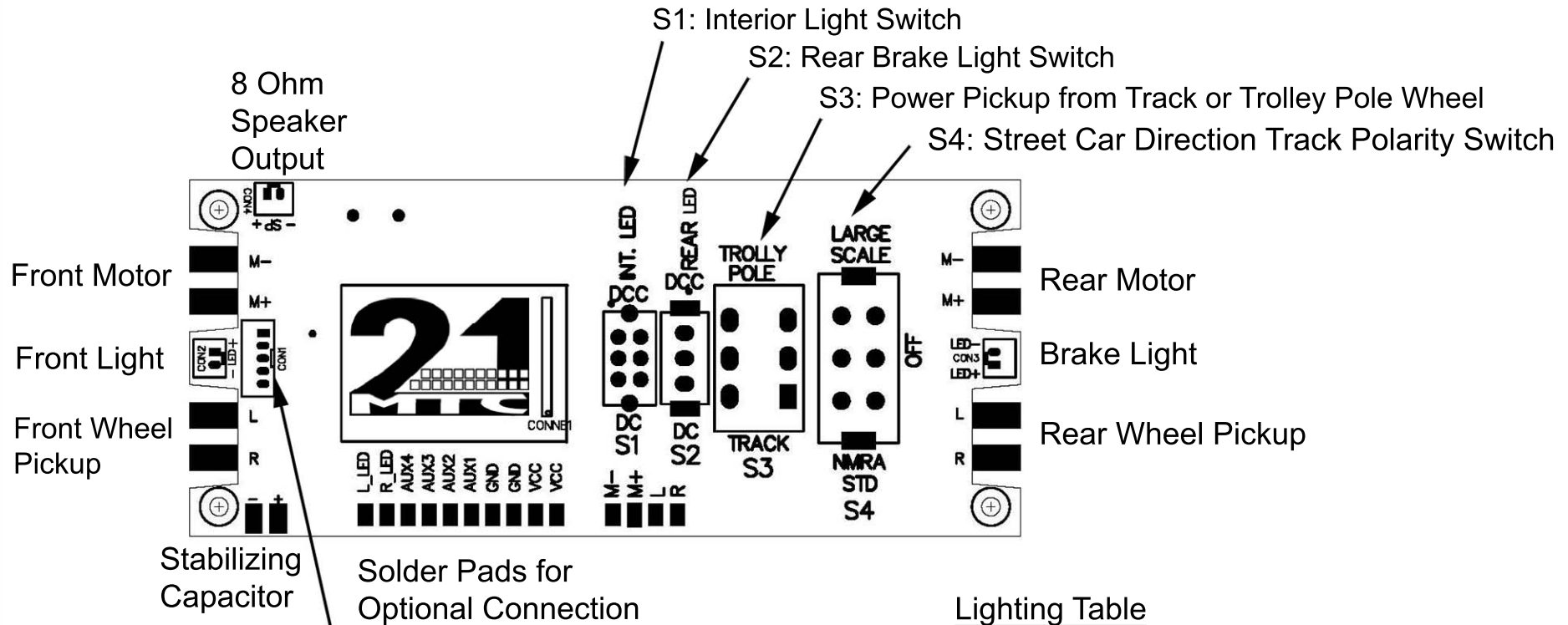


# Large Scale Peter Witt Street Car Electronics



Street Car Front



Note: Per NEM660, the Aux3 pin on the 21MTC interface is a logic level function

	S1	S2	Front Light	Front Light Dimming	Rear Brake Light when Stopped	Rear Brake Light When Moving	Interior Lights	Rear Marker Lights	Notes
DC	DC	DC	On with Voltage	Not available	On with Voltage	On with Voltage	On with Voltage	On with Voltage	Lights will turn on before street car moves
Bachmann #44915 DCC Decoder	DC	DCC	On with F0	Not available	On with F0	Off	On with F0	On with F0	
Generic 8-Pin DCC Decoder with Extra Function	DCC	DCC	On with F0	Decoder Controlled	On with F0	Off On with F2 if F0 also On (requires function wire soldered to pad on adaptor board)	On with F1	On with F1	F0(f) and F0(r) must be mapped together in CVs
21MTC DCC Decoder	DCC	DCC	On with F0	Decoder Controlled	On with F0	Off On with F3 if F0 also On	On with F1	On with F2	F0(f) and F0(r) must be mapped together in CVs