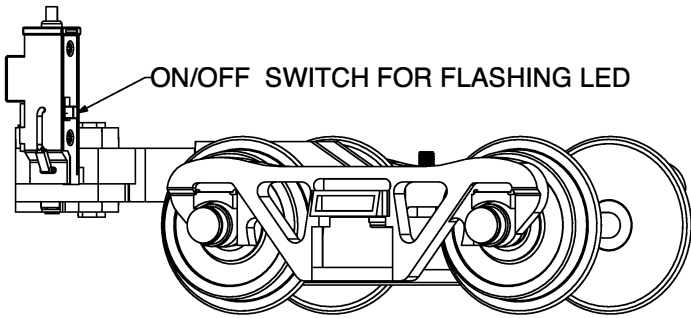
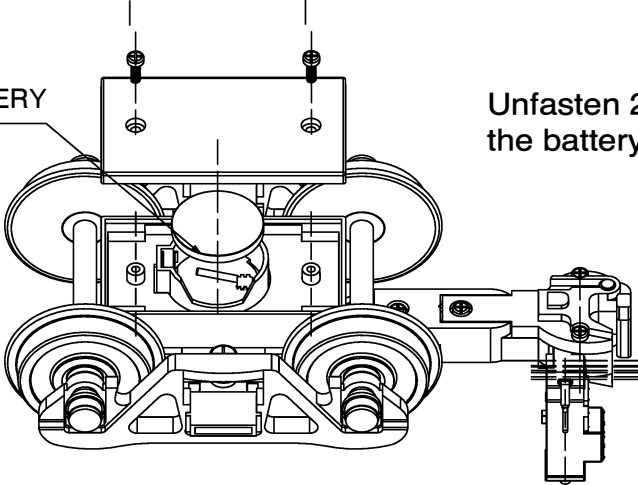


LS END OF TRAIN DEVICE

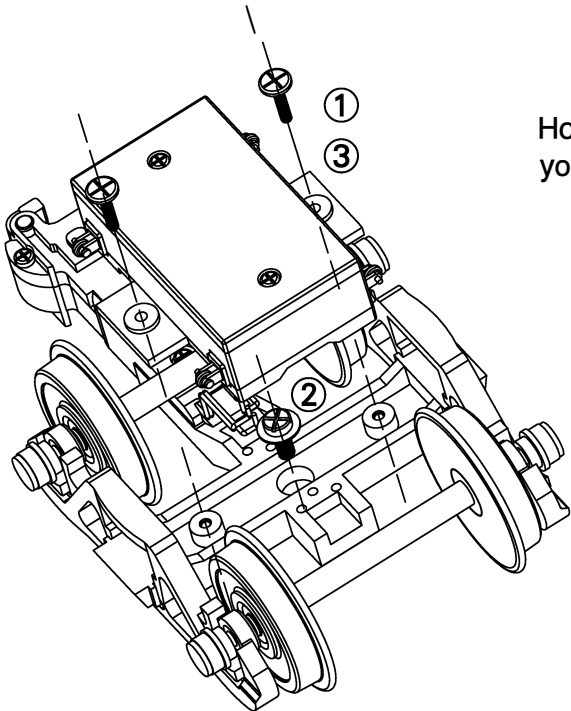


How to install button cell battery

BUTTON CELL BATTERY
(CR2032)
* NOT INCLUDED



* Install battery for operation when track power is off. The electronics will automatically switch to track power when it is present.



How to install the truck with end of train device on your rolling stock:

1. Remove one truck from your freight car.
2. Remove the 2 screws from both sides of the battery box on the new truck, as shown.
3. Attach the new truck to your car.
4. Install battery if desired. Reinstall battery box cover with the 2 screws. Do not over tighten.