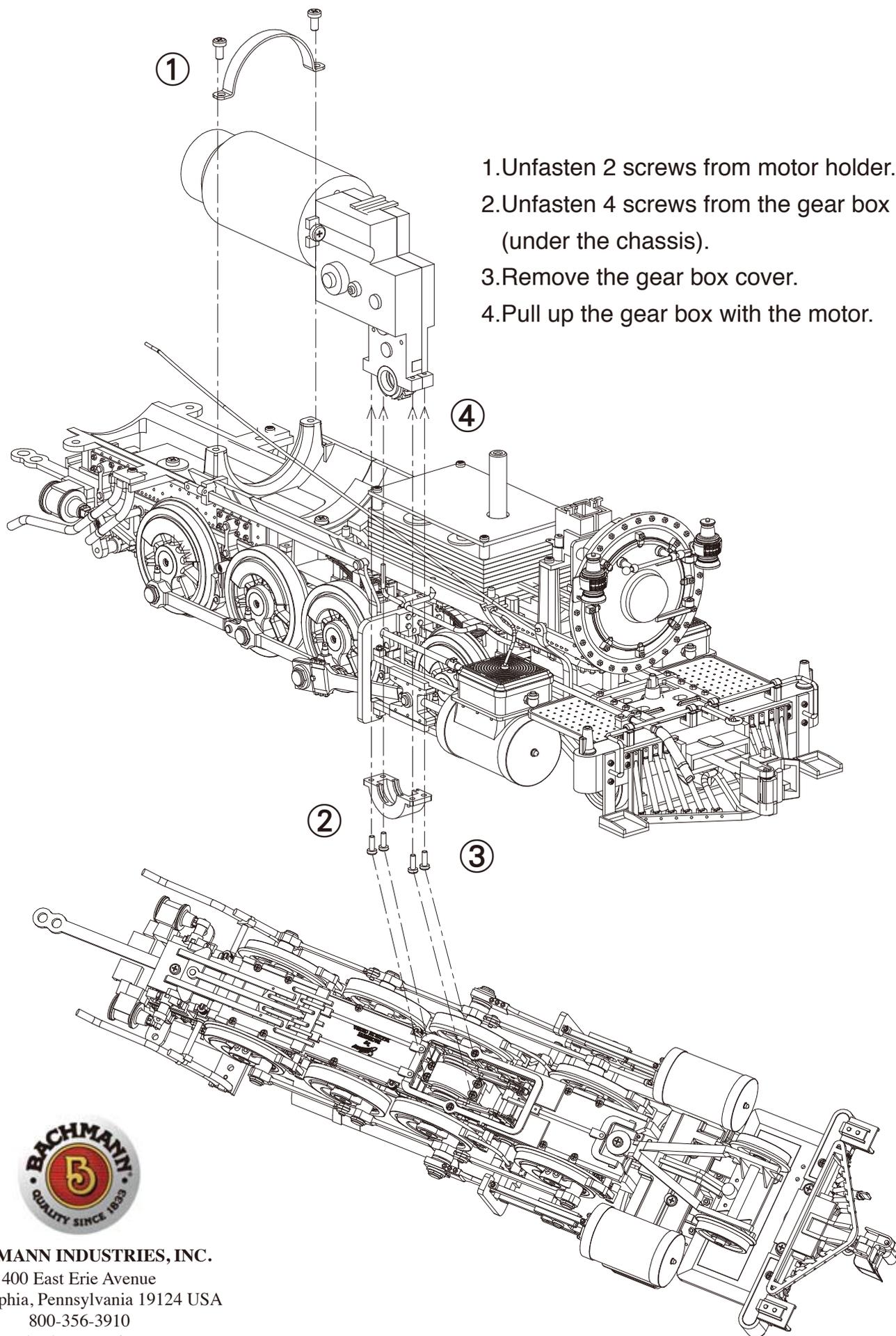


How to separate the gear box from the chassis



1. Unfasten 2 screws from motor holder.
2. Unfasten 4 screws from the gear box cover (under the chassis).
3. Remove the gear box cover.
4. Pull up the gear box with the motor.



BACHMANN INDUSTRIES, INC.
1400 East Erie Avenue
Philadelphia, Pennsylvania 19124 USA
800-356-3910
www.bachmanntrains.com
Printed in China