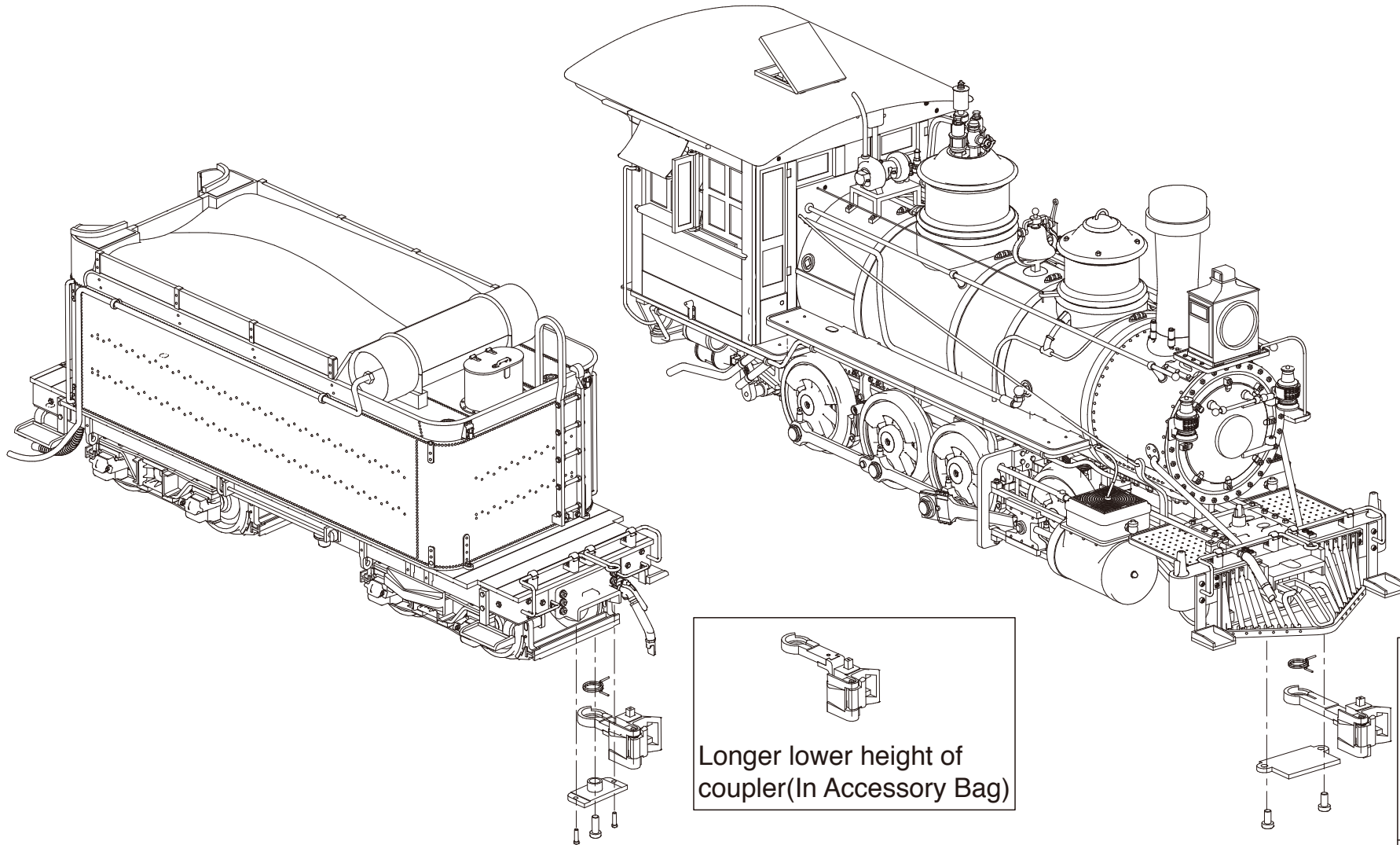


## *Different types of couplers*



\* Unfasten 3 screws from the coupler pocket & then remove the cover of the pocket. The other coupler can be assembled.