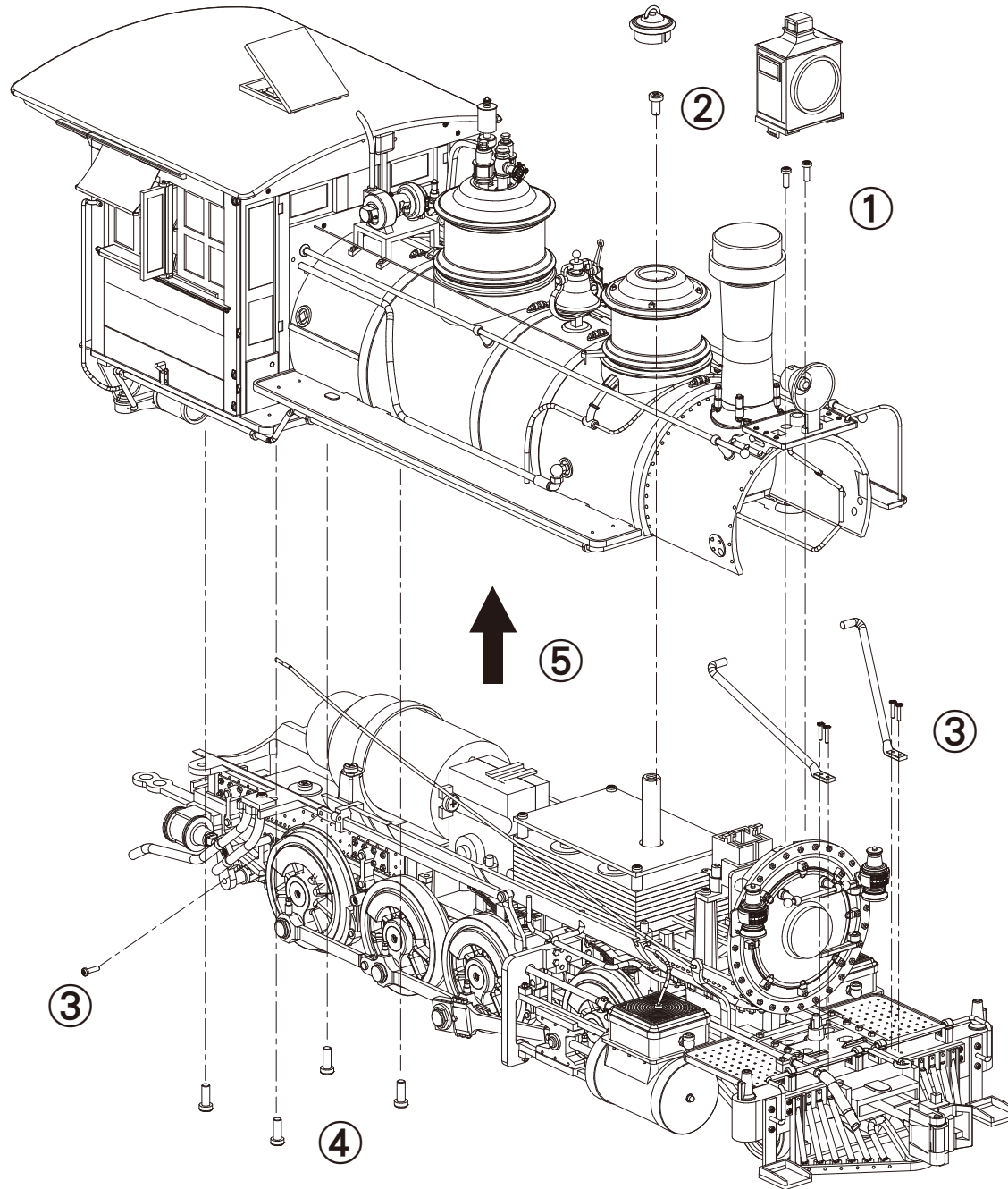


How to separate the boiler & the cab from the chassis



1. Unfasten 2 screws under the headlight
2. Unfasten 1 screw inside the sand dome
3. Unfasten 4 screws from deck braces & 1 screw from valve rod
4. Unfasten 4 screws under the chassis
5. Pull up the boiler with the cab



BACHMANN INDUSTRIES, INC.
1400 East Erie Avenue
Philadelphia, Pennsylvania 19124 USA
800-356-3910
www.bachmanntrains.com
Printed in China

G831X-IS003