

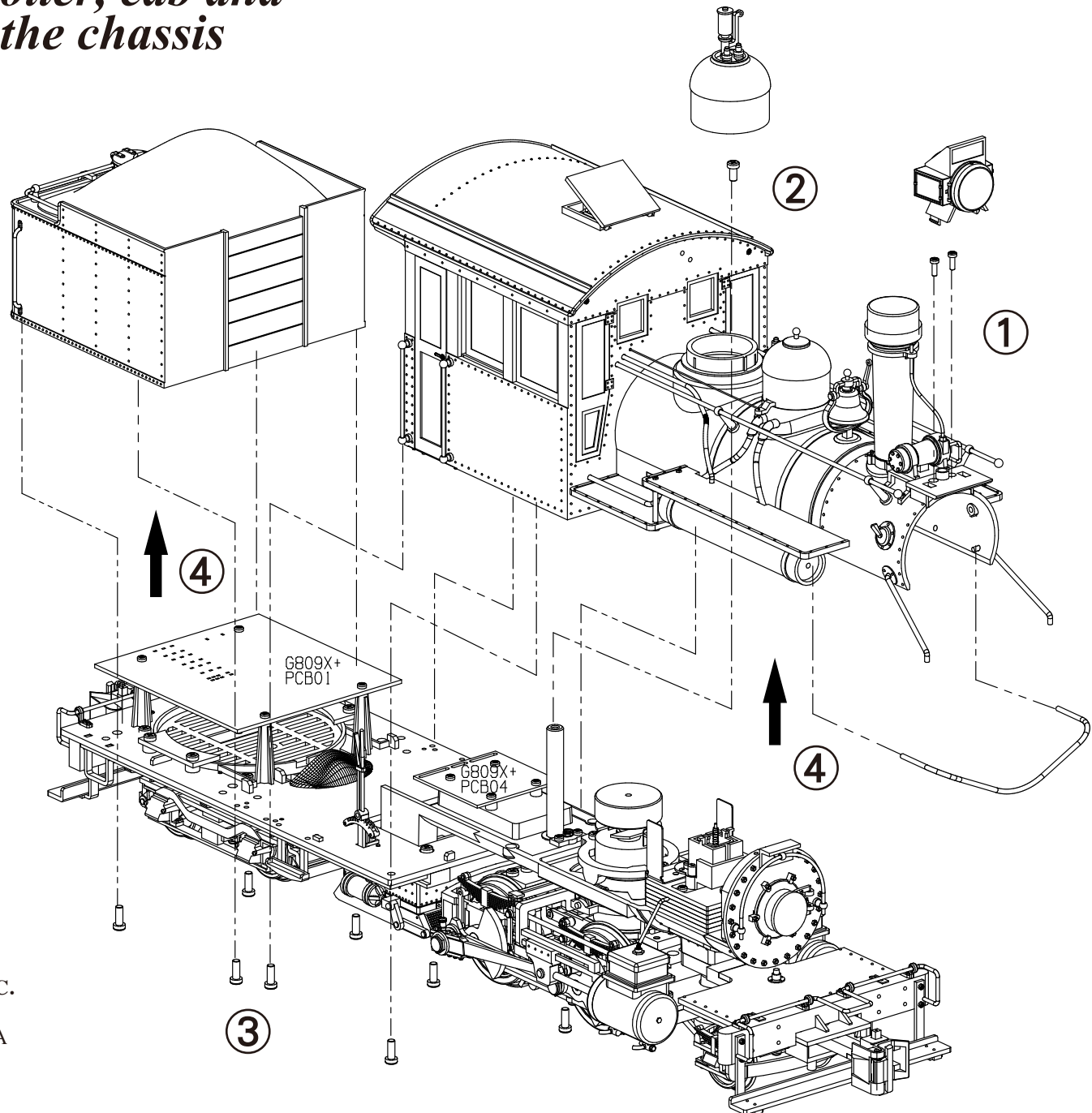
How to separate the boiler, cab and the coal bunker from the chassis

1. Unfasten 2 screws under the head light

2. Unfasten 1 screw inside the steam dome

3. Unfasten 8 screws under the rear chassis

4. Pull up the boiler with the cab and the coal bunker



BACHMANN INDUSTRIES, INC.
1400 East Erie Avenue
Philadelphia, Pennsylvania 19124 USA
800-356-3910
www.bachmanntrains.com
Printed in China