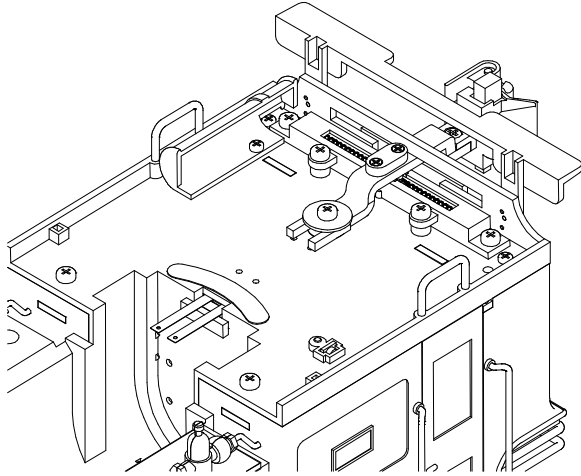
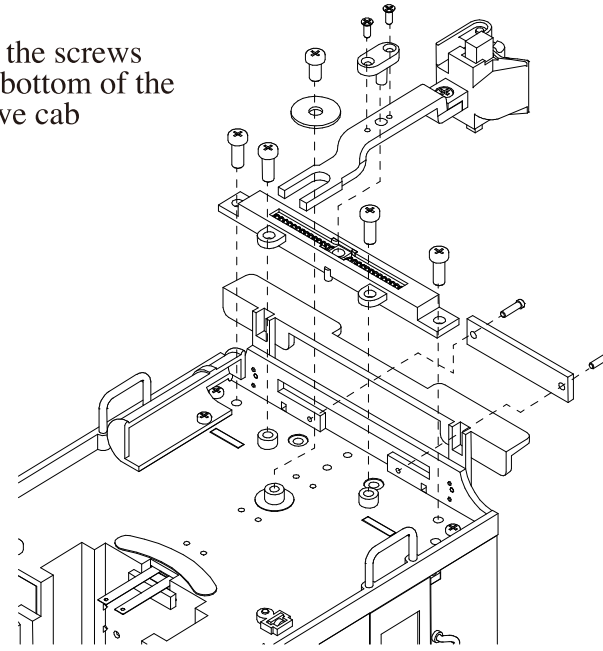


How to change the rear coupler pocket from the shaft of knuckle coupler

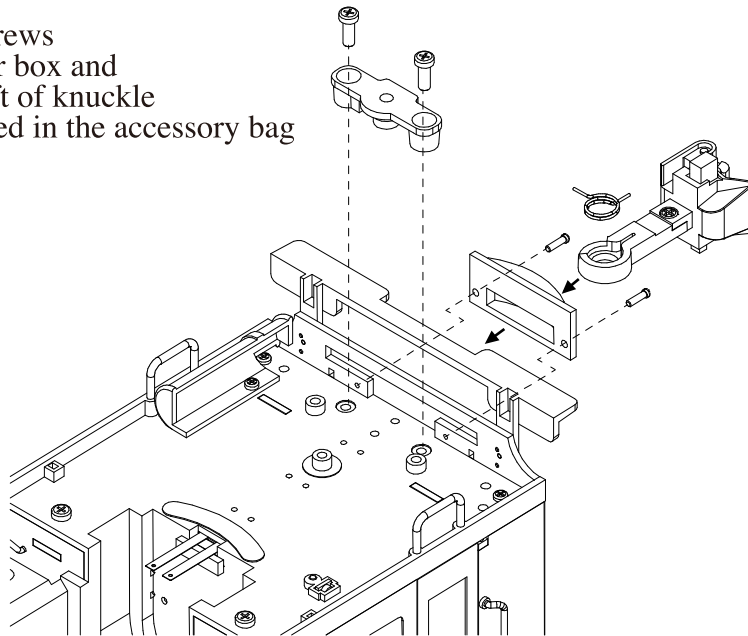
1. Locomotive cab under side



2. Unfasten the screws from the bottom of the locomotive cab



3. Fasten the screws of the coupler box and the short shaft of knuckle coupler located in the accessory bag



4. Finish the assembly of coupler

