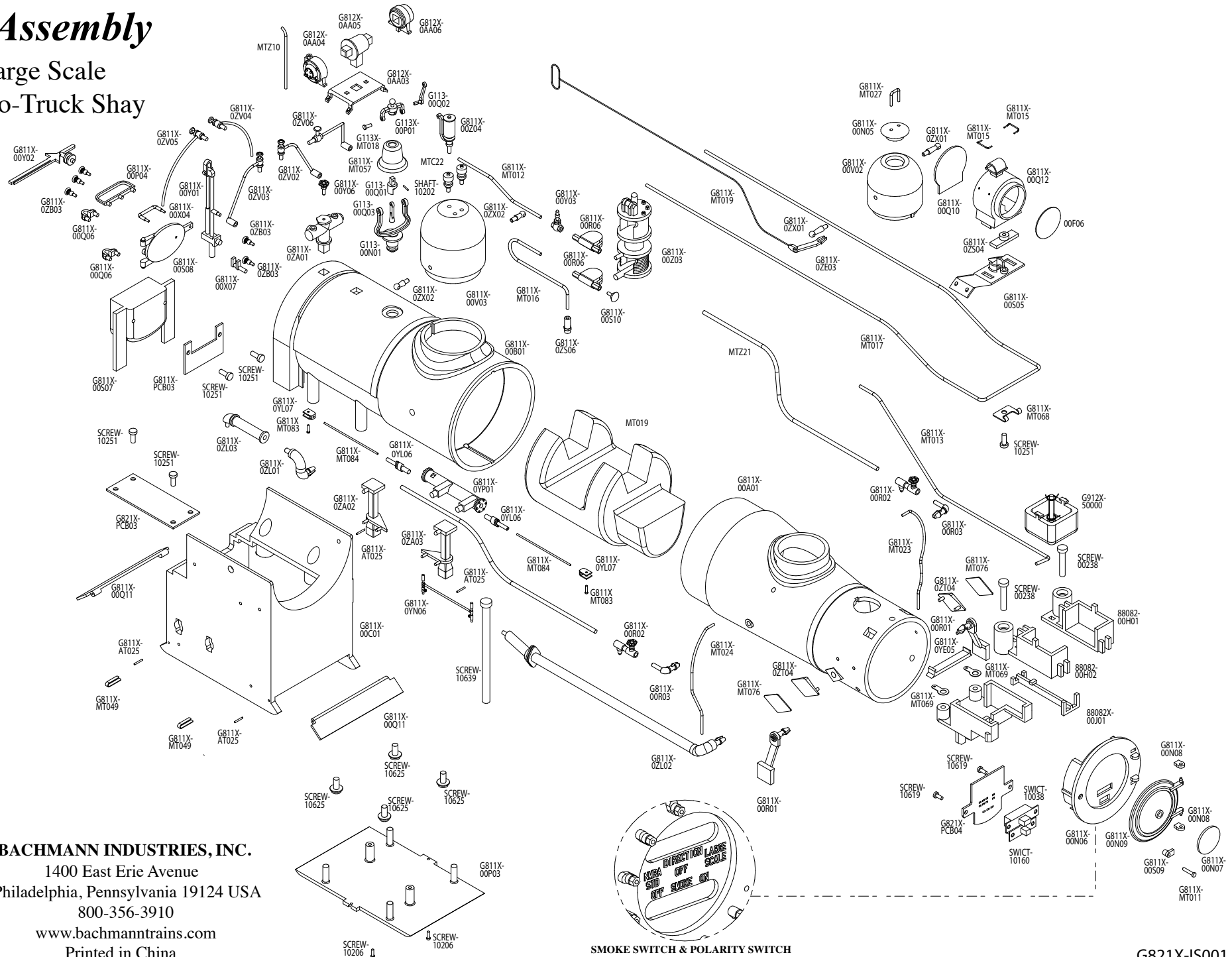


Boiler Assembly

1:20.3 Large Scale
38 Ton Two-Truck Shay



BACHMANN INDUSTRIES, INC.

1400 East Erie Avenue
Philadelphia, Pennsylvania 19124 USA

800-356-3910

www.bachmanntrains.com

Printed in China

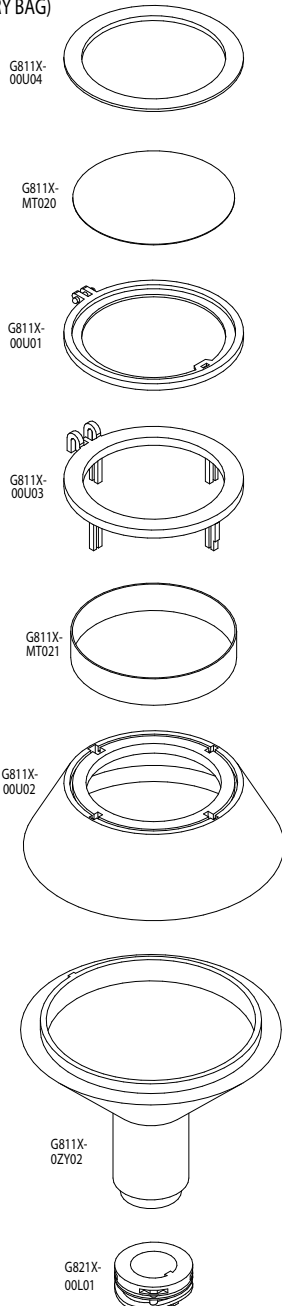
SMOKE SWITCH & POLARITY SWITCH

G821X-IS001

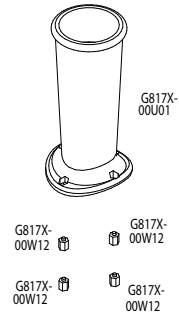
Stack Assembly

1:20.3 Large Scale
38 Ton Two-Truck Shay

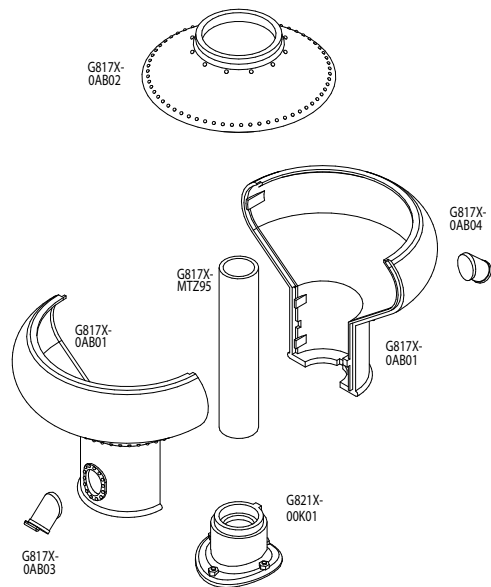
82195 (ACCESSORY BAG)
82197 (ACCESSORY BAG)
82198 (ACCESSORY BAG)
82199 (ACCESSORY BAG)



82194 (ACCESSORY BAG)
82198 (ACCESSORY BAG)
82199 (ACCESSORY BAG)



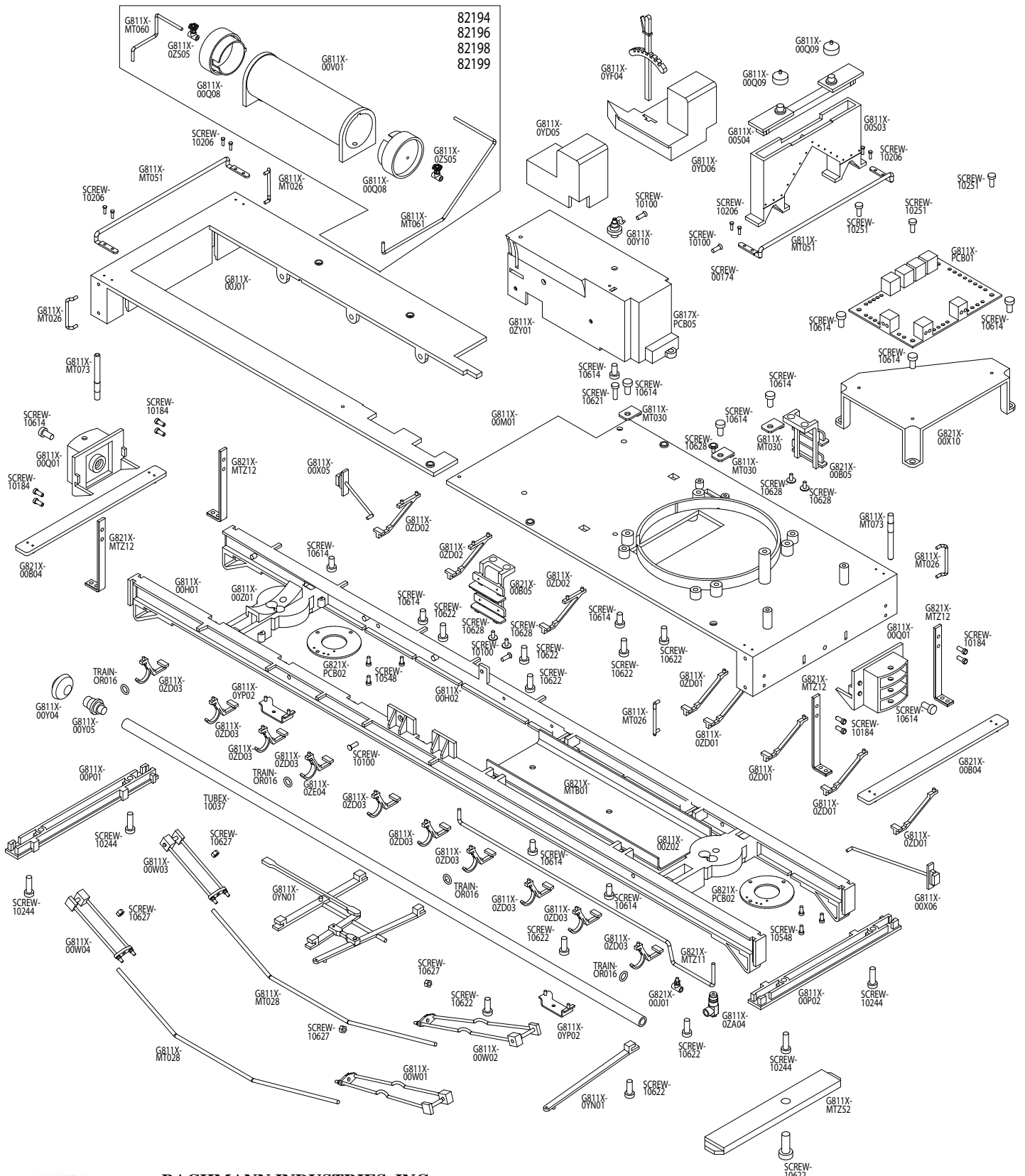
82196 (ACCESSORY BAG)
82198 (ACCESSORY BAG)
82199 (ACCESSORY BAG)



BACHMANN INDUSTRIES, INC.
1400 East Erie Avenue
Philadelphia, Pennsylvania 19124 USA
800-356-3910
www.bachmanntrains.com
Printed in China

Chassis Assembly

1:20.3 Large Scale
38 Ton Two-Truck Shay

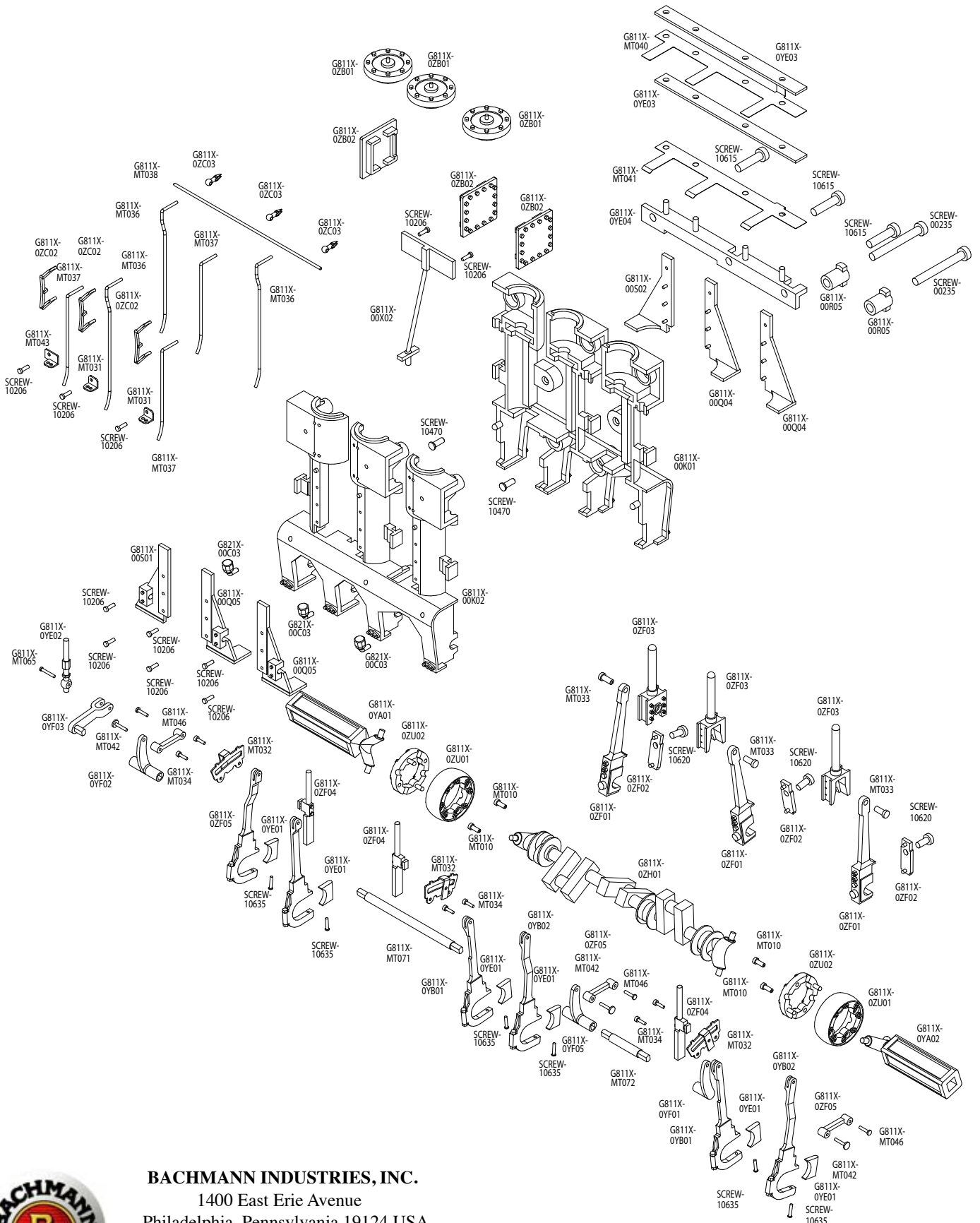


BACHMANN INDUSTRIES, INC.
1400 East Erie Avenue
Philadelphia, Pennsylvania 19124 USA
800-356-3910
www.bachmanntrains.com
Printed in China

G821X-IS002

Cylinder Assembly

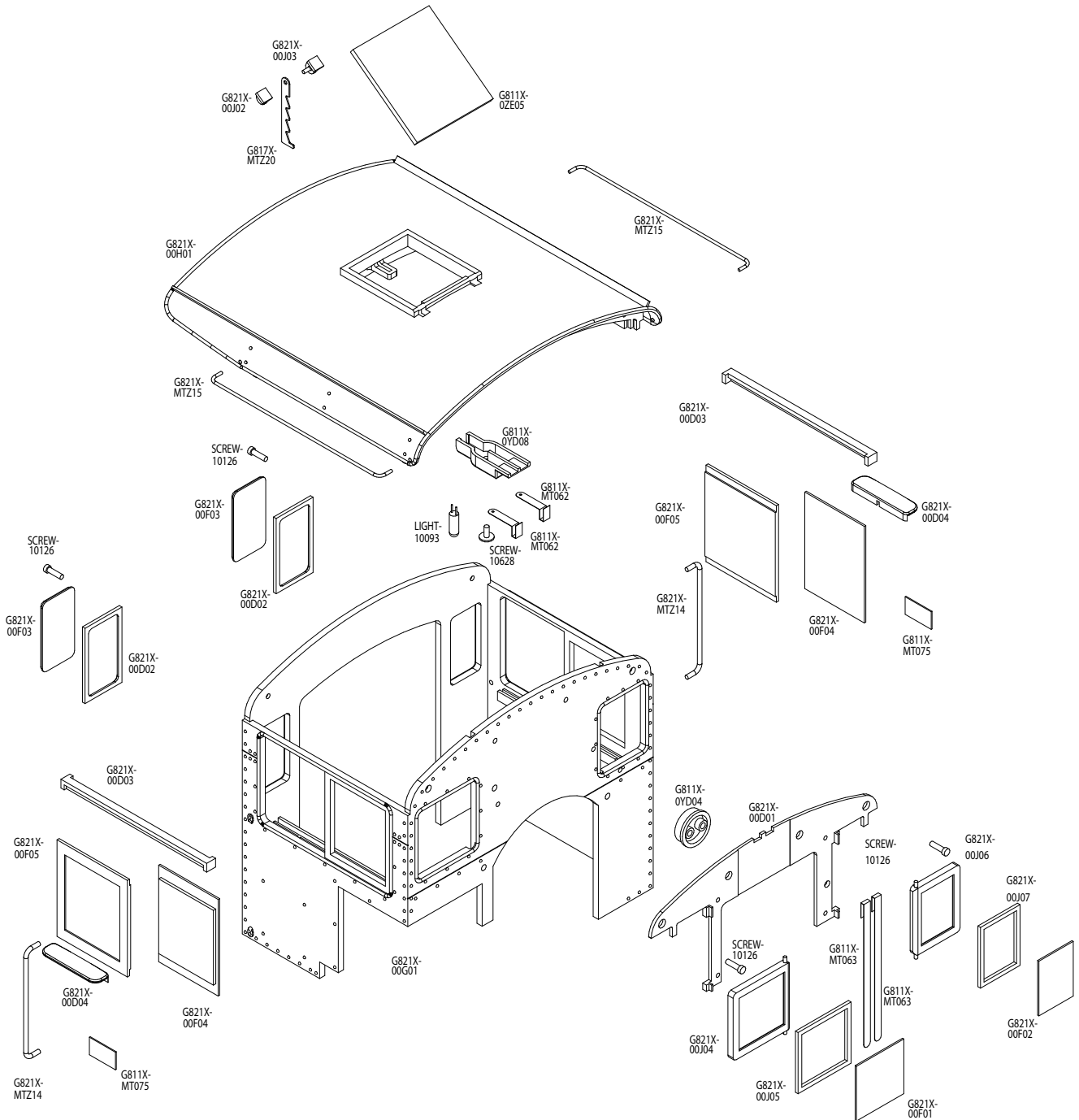
1:20.3 Large Scale
38 Ton Two-Truck Shay



BACHMANN INDUSTRIES, INC.
1400 East Erie Avenue
Philadelphia, Pennsylvania 19124 USA
800-356-3910
www.bachmanntrains.com
Printed in China

Cab Assembly

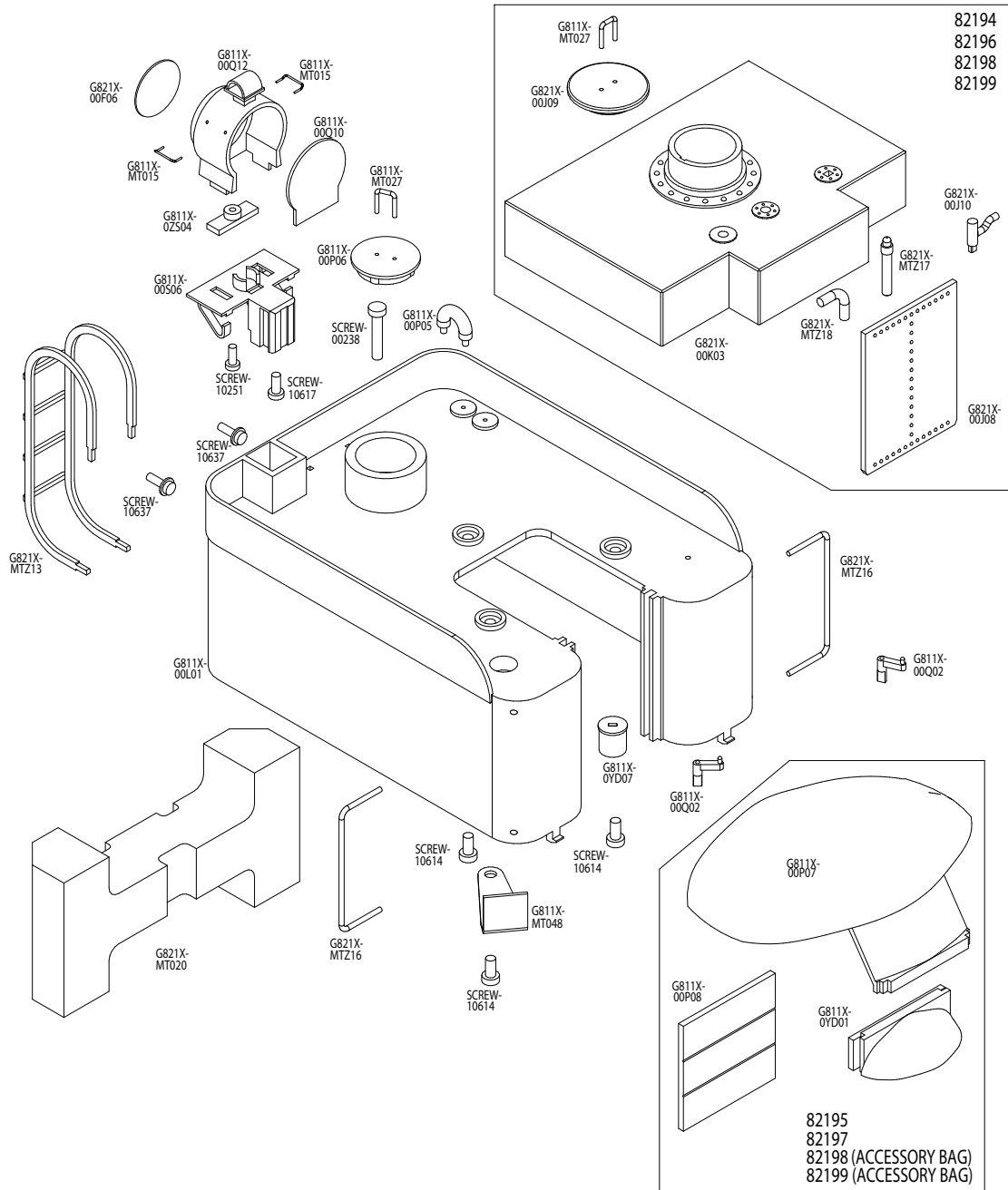
1:20.3 Large Scale
38 Ton Two-Truck Shay



BACHMANN INDUSTRIES, INC.
1400 East Erie Avenue
Philadelphia, Pennsylvania 19124 USA
800-356-3910
www.bachmanntrains.com
Printed in China

Tender Assembly

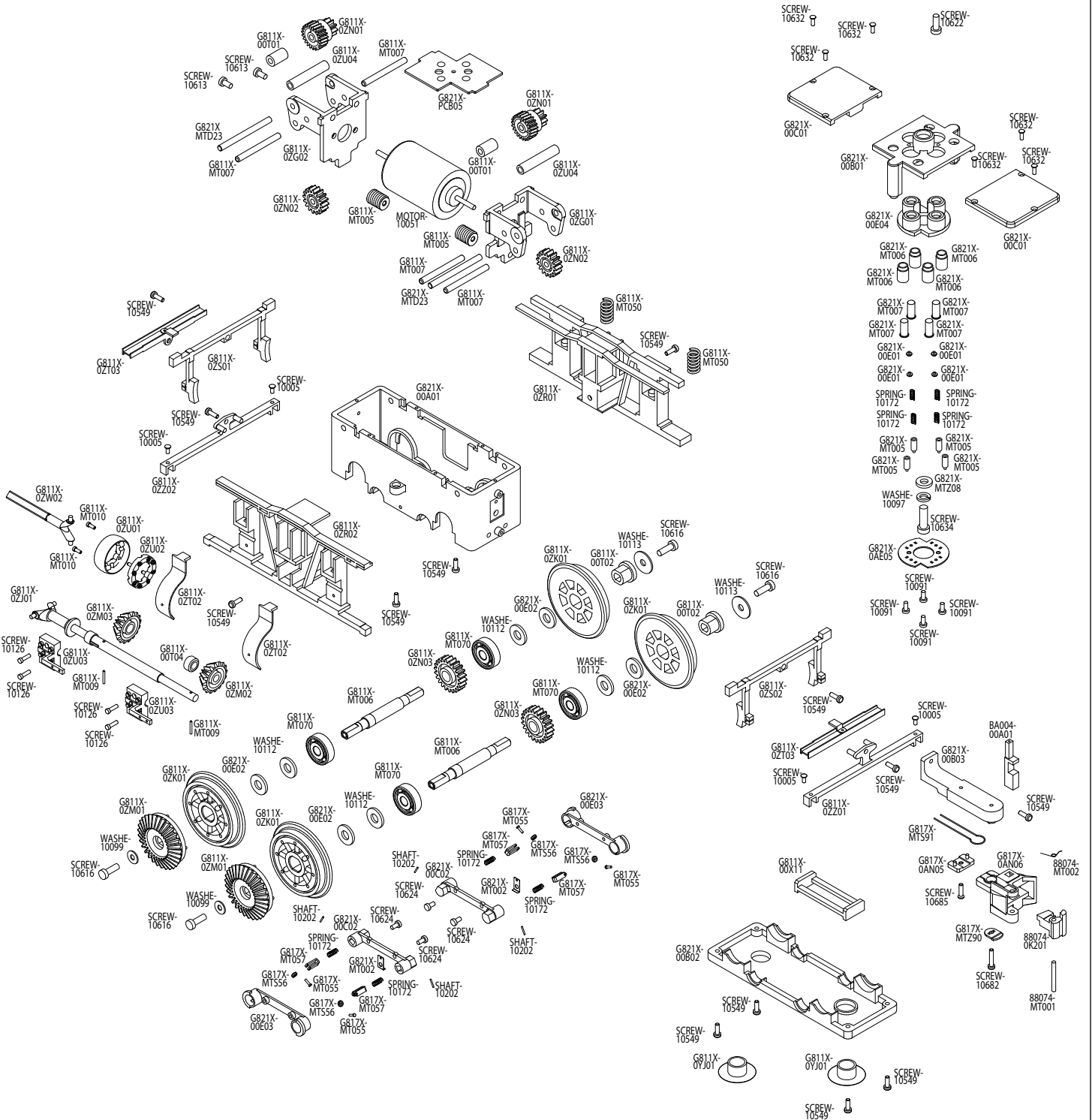
1:20.3 Large Scale
38 Ton Two-Truck Shay



BACHMANN INDUSTRIES, INC.
1400 East Erie Avenue
Philadelphia, Pennsylvania 19124 USA
800-356-3910
www.bachmanntrains.com
Printed in China

Front Gear Box Assembly

1:20.3 Large Scale
38 Ton Two-Truck Shay

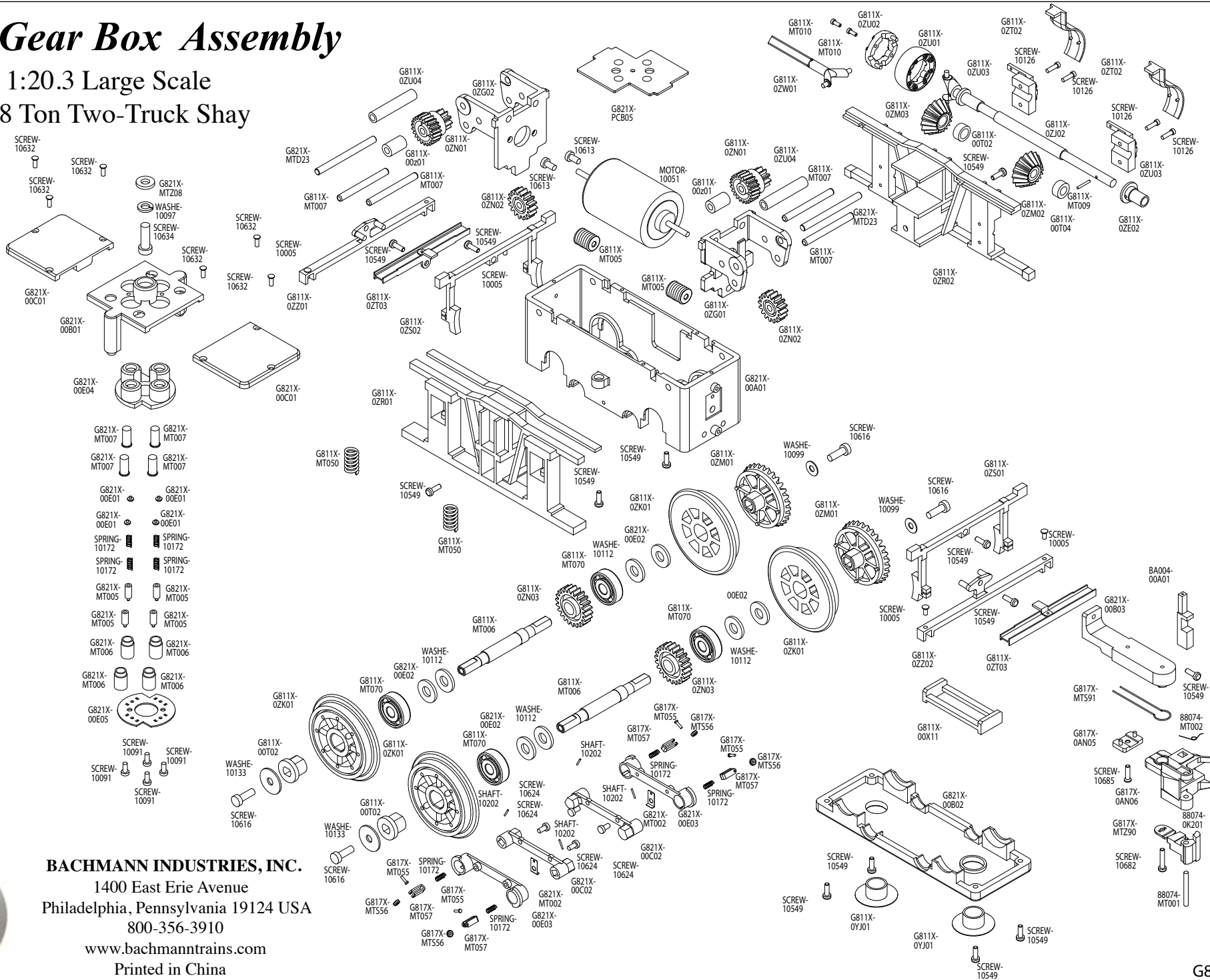


BACHMANN INDUSTRIES, INC.
1400 East Erie Avenue
Philadelphia, Pennsylvania 19124 USA
800-356-3910
www.bachmanntrains.com
Printed in China

G821X-IS004

Rear Gear Box Assembly

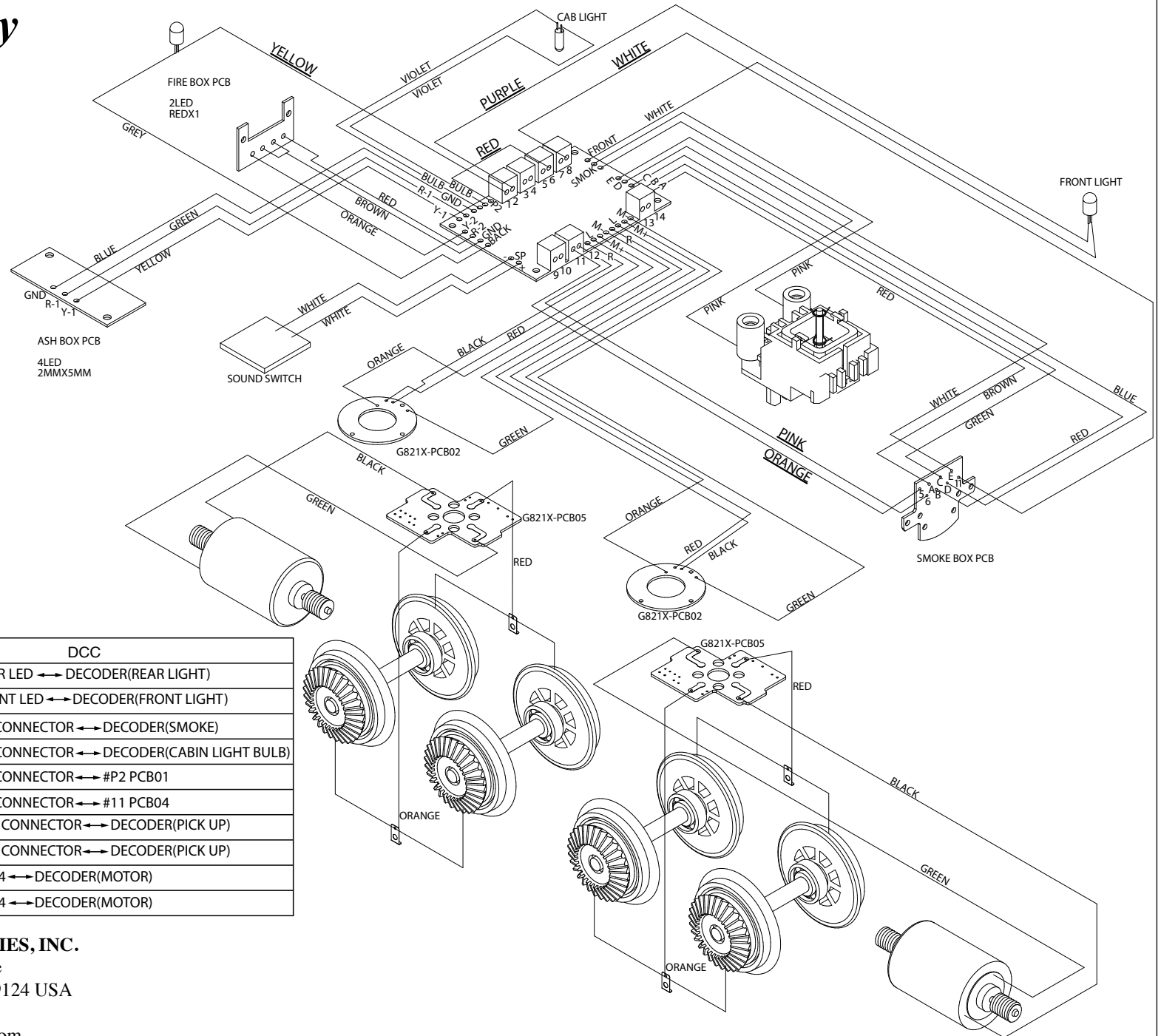
1:20.3 Large Scale
38 Ton Two-Truck Shay



BACHMANN INDUSTRIES, INC.
1400 East Erie Avenue
Philadelphia, Pennsylvania 19124 USA
800-356-3910
www.bachmanntrains.com
Printed in China

DC Wiring Assembly

1:20.3 Large Scale
38 Ton Two-Truck Shay



* #9 & #10 PCB CONNECTOR FOR TRIGGERING CUSTOMER'S SPEAKER MODULE

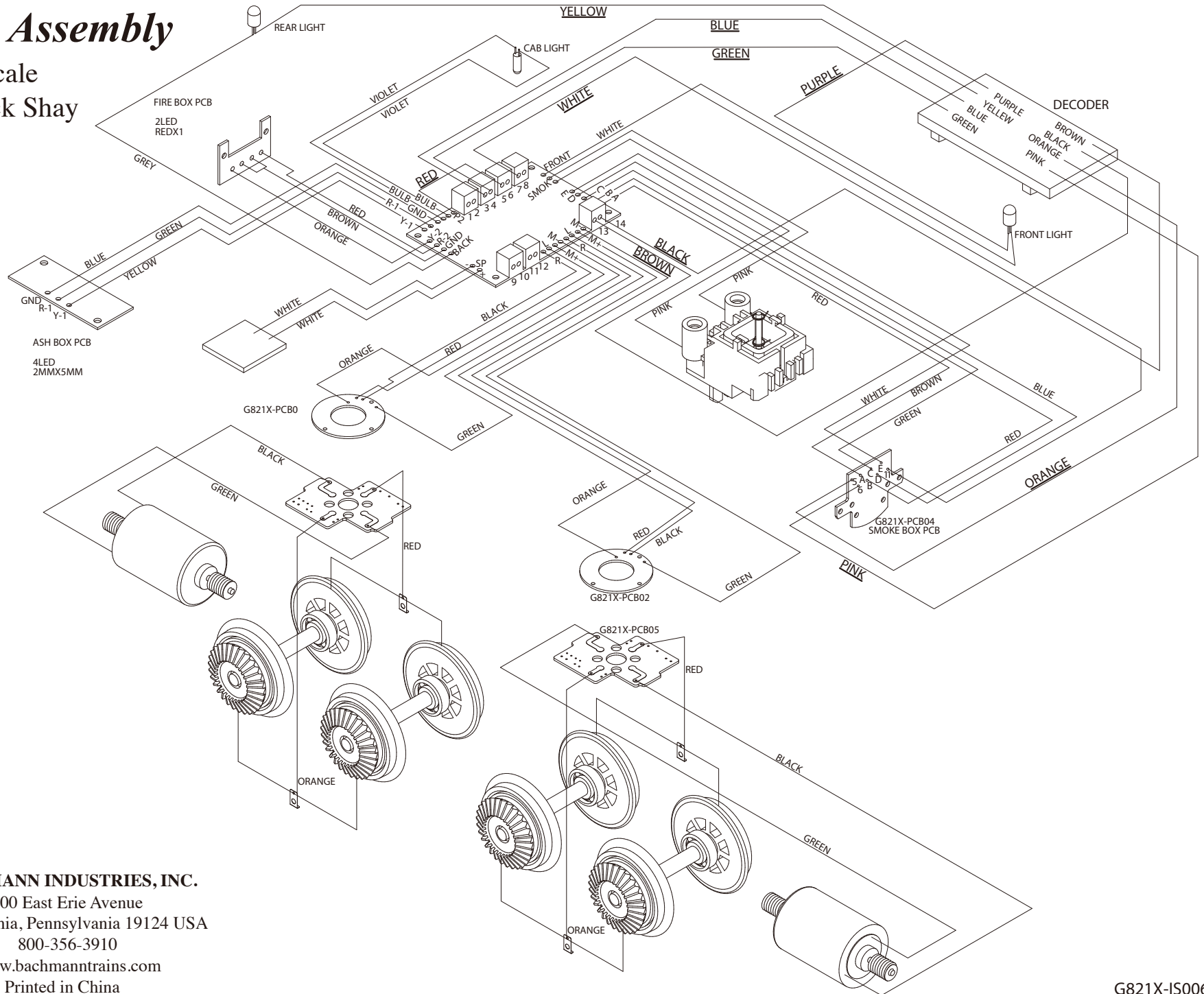
WIRE COLOR	DC	DCC
YELLOW	#1 PCB CONNECTOR ↔ -ve REAR LED	-ve REAR LED ↔ DECODER(REAR LIGHT)
PURPLE	#2 PCB CONNECTOR ↔ -ve FRONT LED	-ve FRONT LED ↔ DECODER(FRONT LIGHT)
BLUE	IN ACCESSORY BAG	#3 PCB CONNECTOR ↔ DECODER(SMOKE)
GREEN	IN ACCESSORY BAG	#4 PCB CONNECTOR ↔ DECODER(CABIN LIGHT BULB)
RED	#6 PCB CONNECTOR ↔ #P2 PCB01	#5 PCB CONNECTOR ↔ #P2 PCB01
WHITE	#8 PCB CONNECTOR ↔ #11 PCB04	#7 PCB CONNECTOR ↔ #11 PCB04
BLACK	IN ACCESSORY BAG	#13 PCB CONNECTOR ↔ DECODER(PICK UP)
BROWN	IN ACCESSORY BAG	#14 PCB CONNECTOR ↔ DECODER(PICK UP)
ORANGE	#11 PCB CONNECTOR ↔ #5 PCB04	#5 PCB04 ↔ DECODER(MOTOR)
PINK	#12 PCB CONNECTOR ↔ #6 PCB04	#6 PCB04 ↔ DECODER(MOTOR)



BACHMANN INDUSTRIES, INC.
1400 East Erie Avenue
Philadelphia, Pennsylvania 19124 USA
800-356-3910
www.bachmanntrains.com
Printed in China

DCC Wiring Assembly

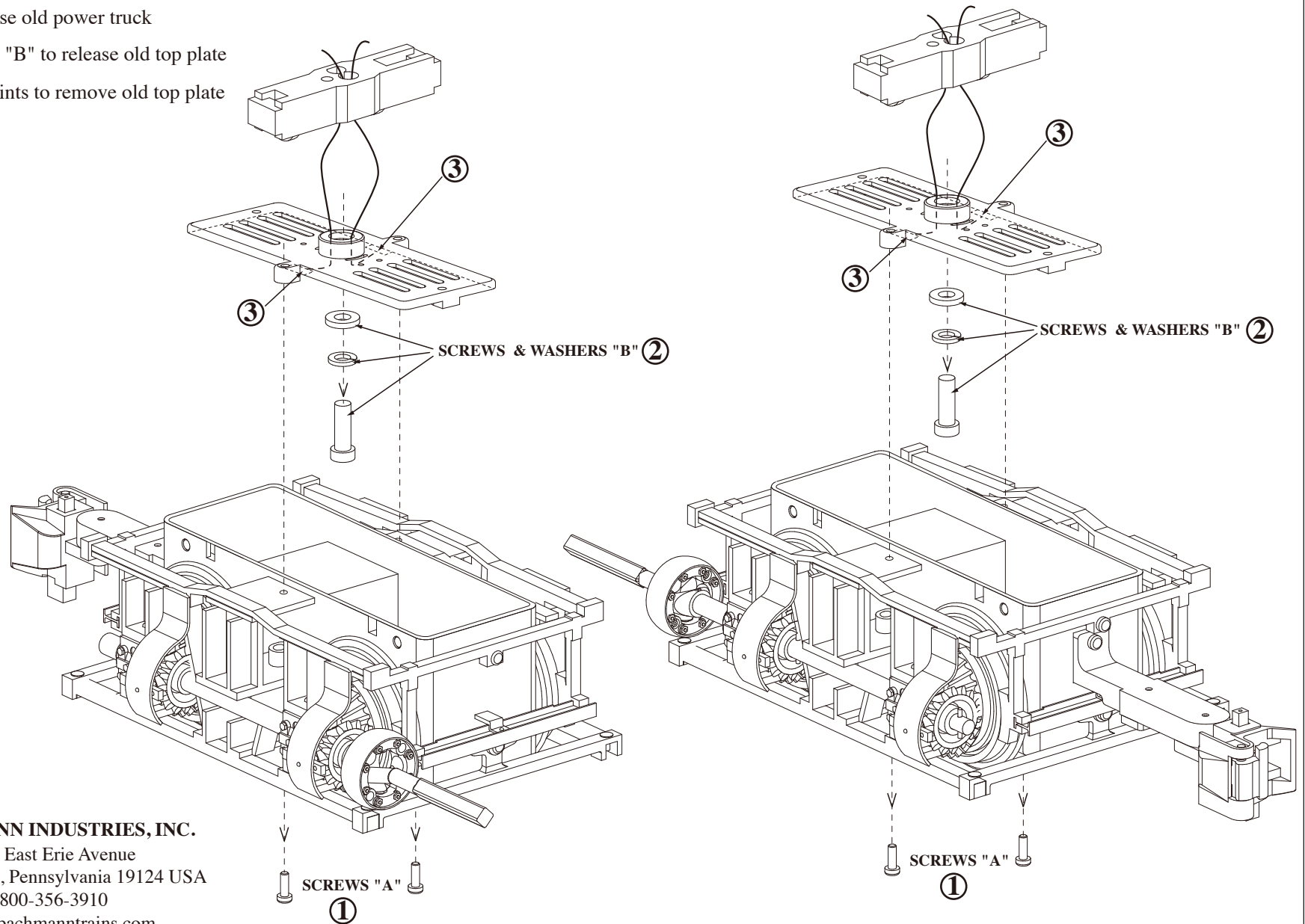
1:20.3 Large Scale
38 Ton Two-Truck Shay



BACHMANN INDUSTRIES, INC.
1400 East Erie Avenue
Philadelphia, Pennsylvania 19124 USA
800-356-3910
www.bachmanntrains.com
Printed in China

Instructions For Mounting New Power Trucks Item #88999 On Old LS Shay

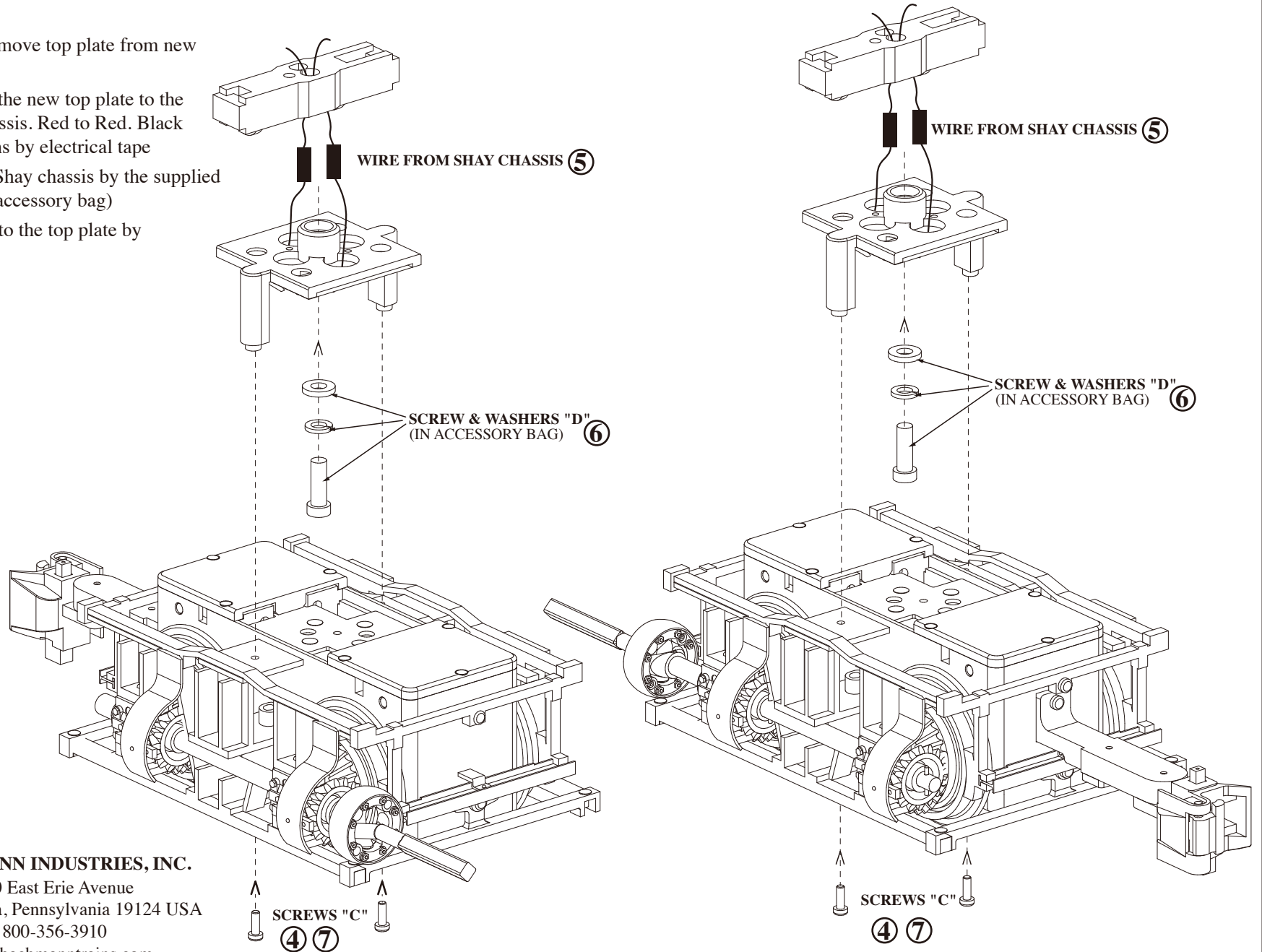
1. Remove screws "A" to release old power truck
2. Remove screws and washers "B" to release old top plate
3. Detach wires from solder points to remove old top plate



BACHMANN INDUSTRIES, INC.
1400 East Erie Avenue
Philadelphia, Pennsylvania 19124 USA
800-356-3910
www.bachmanntrains.com
Printed in China

Mounting New Power Trucks

4. Remove screws "C", then remove top plate from new power truck
5. Connect the two wires from the new top plate to the two wires from the Shay chassis. Red to Red. Black to Black. Then cover the joins by electrical tape
6. Fix the new top plate to the Shay chassis by the supplied screws and washers "D" (in accessory bag)
7. Mount the new power truck to the top plate by screws "C"

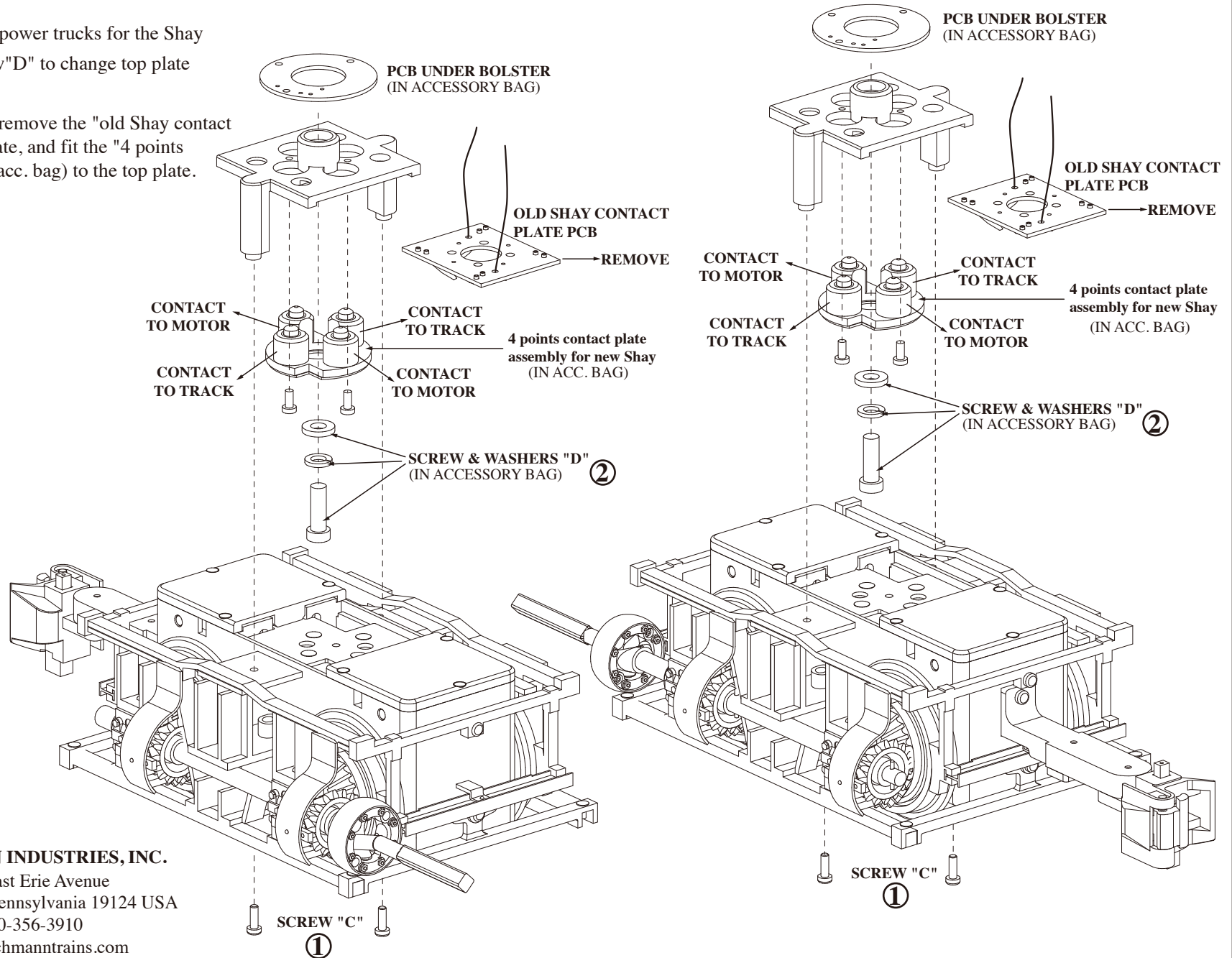


BACHMANN INDUSTRIES, INC.
1400 East Erie Avenue
Philadelphia, Pennsylvania 19124 USA
800-356-3910
www.bachmanntrains.com
Printed in China

Instructions For Mounting Power Trucks Item #88999 To New LS Shay

1. Remove screws "C" to change power trucks for the Shay
2. When necessary, remove screw "D" to change top plate & contacts assembly

Note: For new Shay, you need to remove the "old Shay contact plate PCB" from the top plate, and fit the "4 points contact plate assembly" (in acc. bag) to the top plate.



BACHMANN INDUSTRIES, INC.
 1400 East Erie Avenue
 Philadelphia, Pennsylvania 19124 USA
 800-356-3910
 www.bachmanntrains.com
 Printed in China