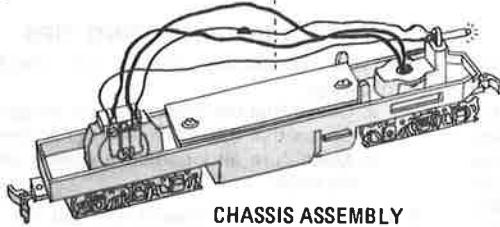


EMD F9 SHELL



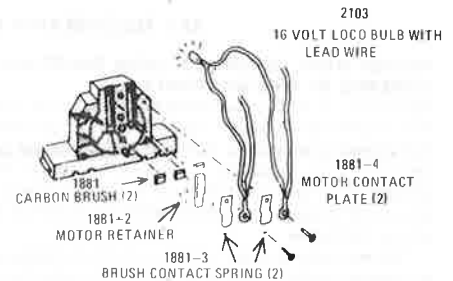
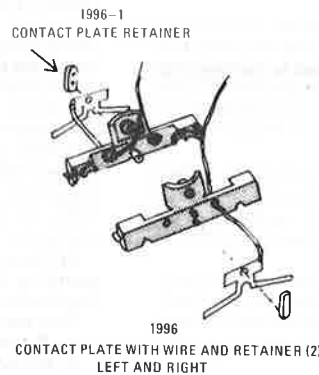
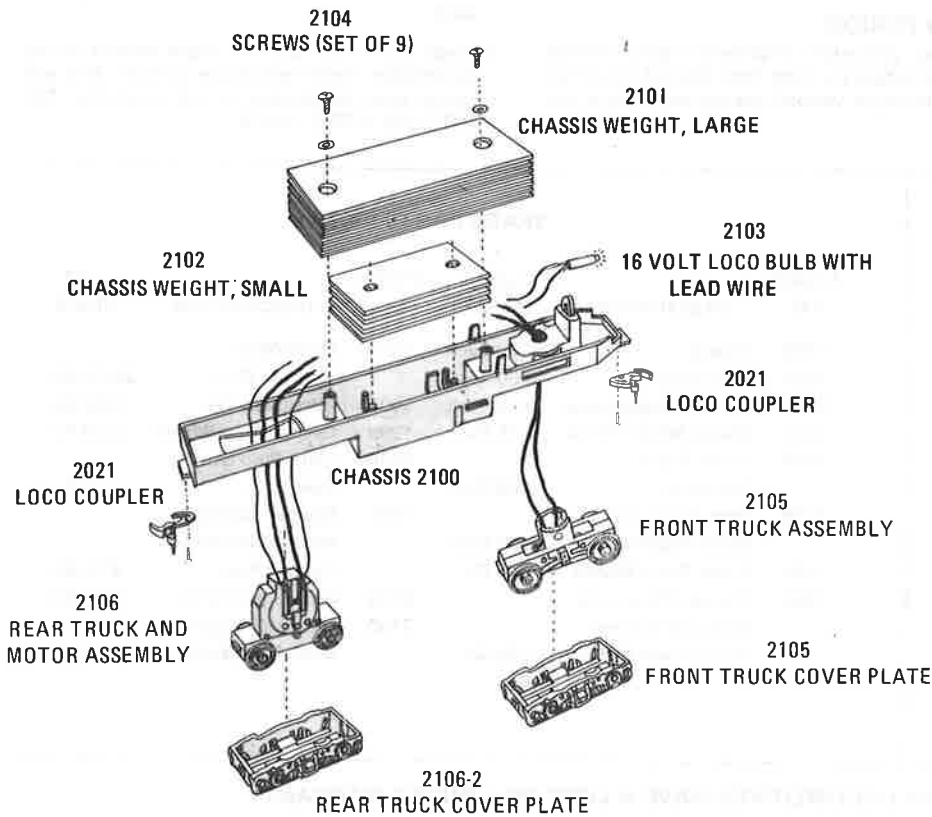
CHASSIS ASSEMBLY

To remove body shell, spread center.

To detach rear power truck, unscrew motor retainer. Twist the truck firmly with force to the side of the chassis until the motor lugs clear the obstruction from the chassis. Then pull the truck downward. Motor lugs are on both sides. Do one side at a time.

IMPORTANT: Be careful not to damage motor brush contact spring.

To replace truck, just snap it back into chassis.



BACHMANN 1400 E. ERIE AVENUE
PHILADELPHIA, PA. 19124 U.S.A.