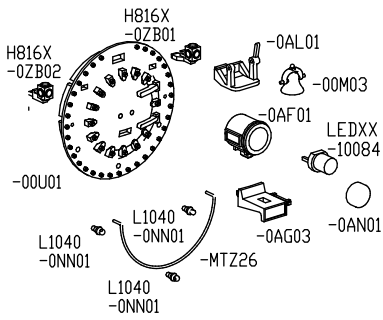


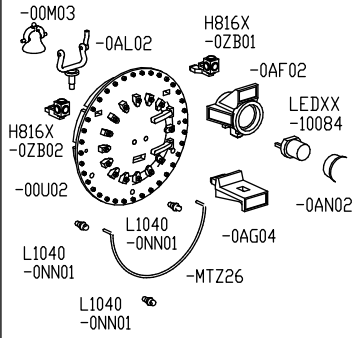


# HEAD LIGHT AND BELL PLACEMENT

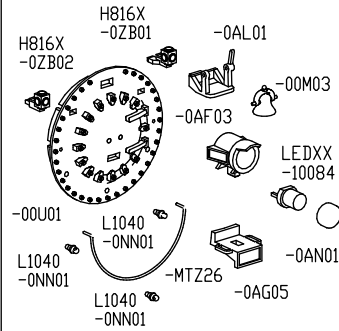
#83301 #83308  
#83309



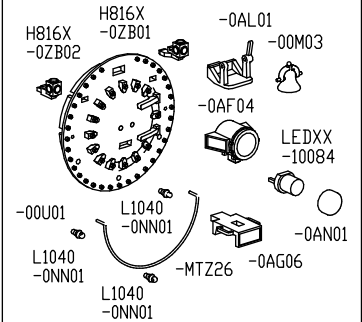
#83306 #83307



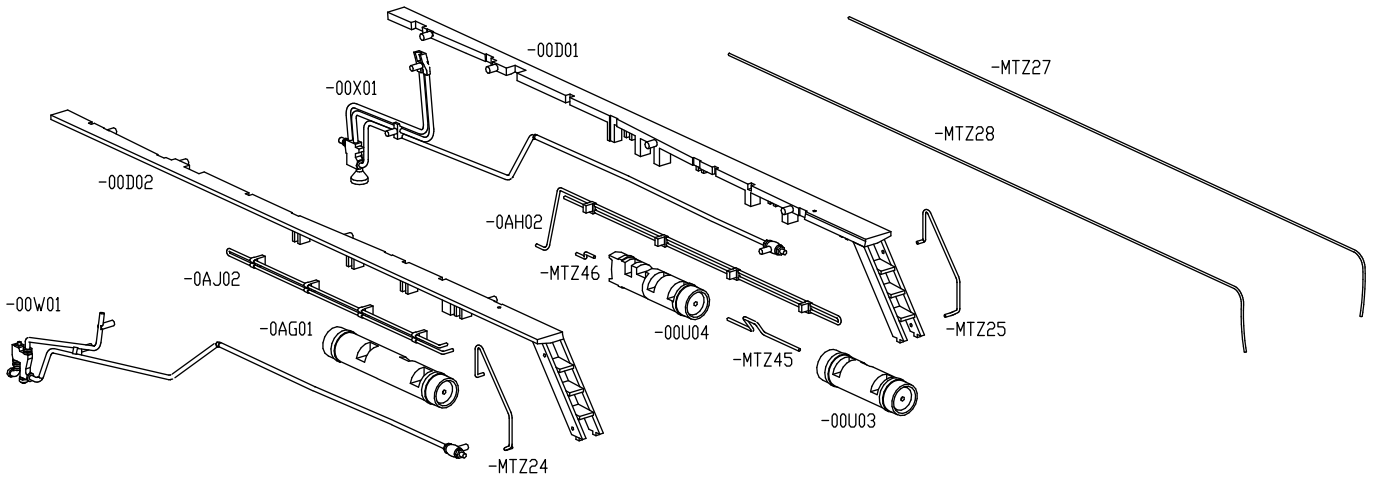
#83304 #83305  
#83312 #83313



#83302 #83303  
#83310 #83311

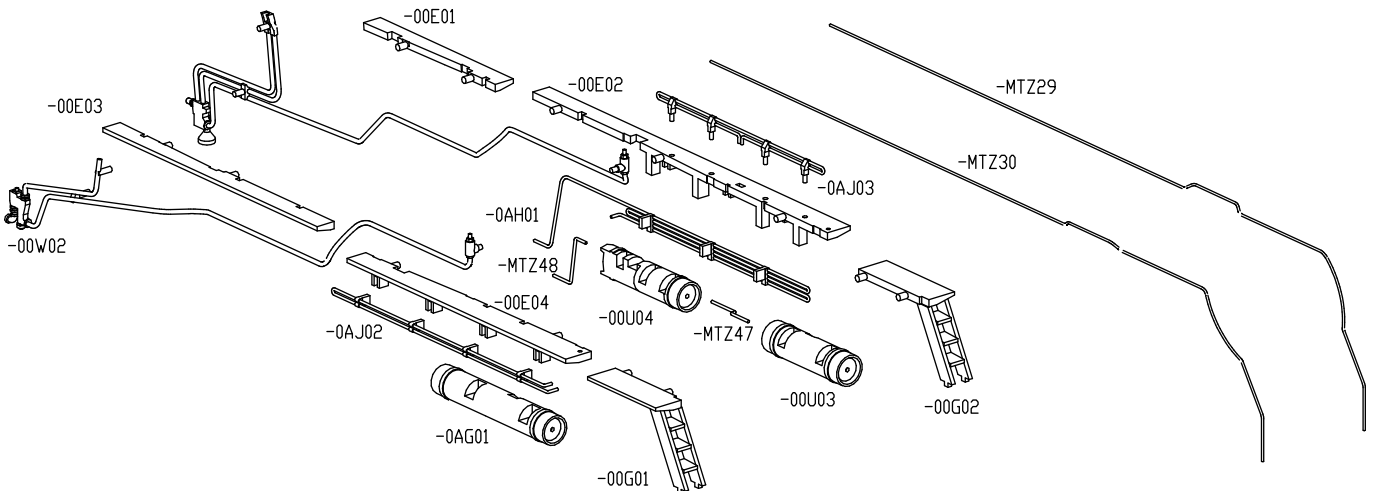


#83301 #83302 #83303 #83304 #83305 #83308  
#83309 #83310 #83311 #83312 #83313



## RUNNING BOARD AND BOILER HANDRAIL

#83306 #83307

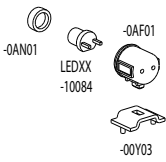


## RUNNING BOARD AND BOILER HANDRAIL

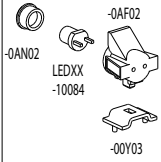


# BACK UP LIGHT

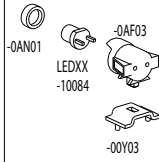
#83301 #83308  
#83309



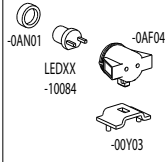
#83306 #83307



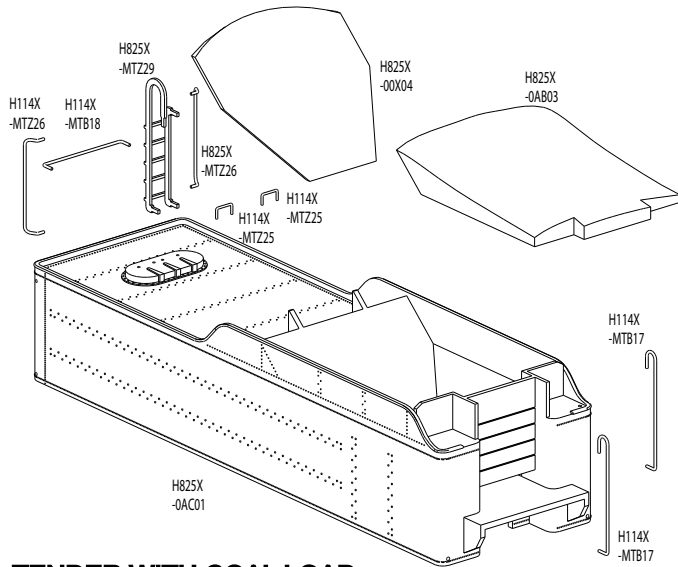
#83304 #83305  
#83312 #83313



#83302 #83303  
#83310 #83311

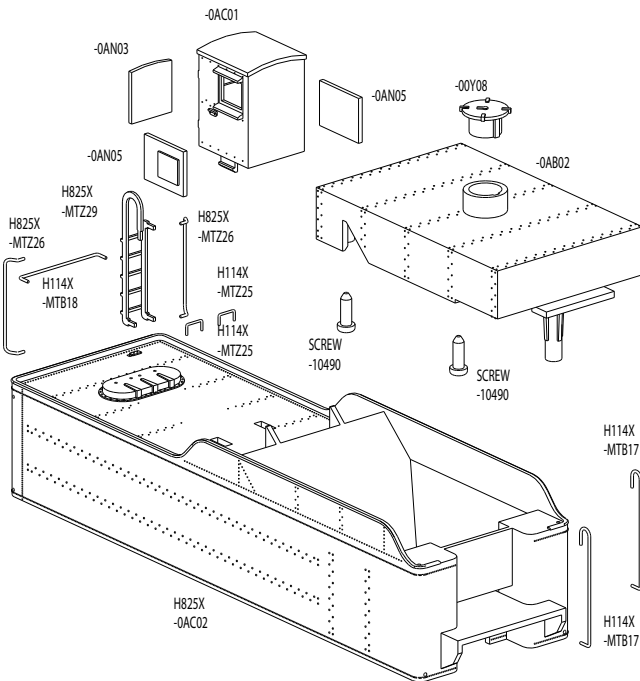


#83301 #83302 #83303 #83308  
#83309 #83310 #83311



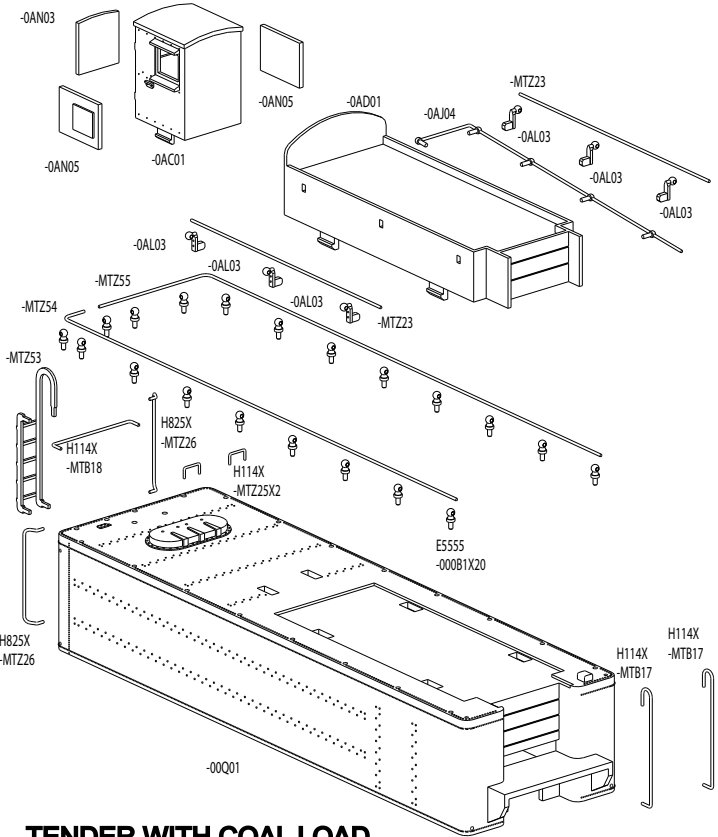
**TENDER WITH COAL LOAD**

#83312 #83313



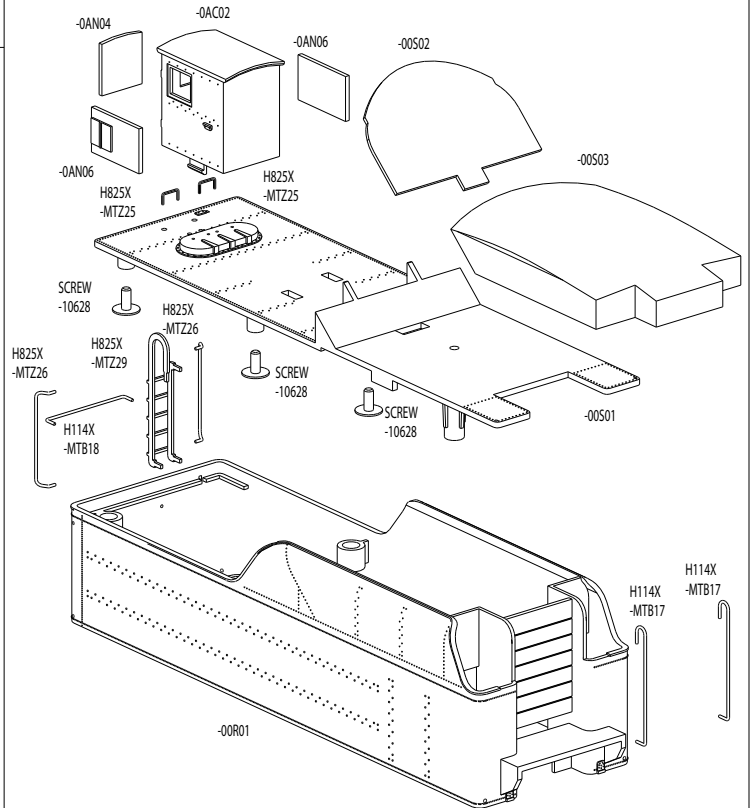
**TENDER WITH OIL TANK**

#83306 #83307



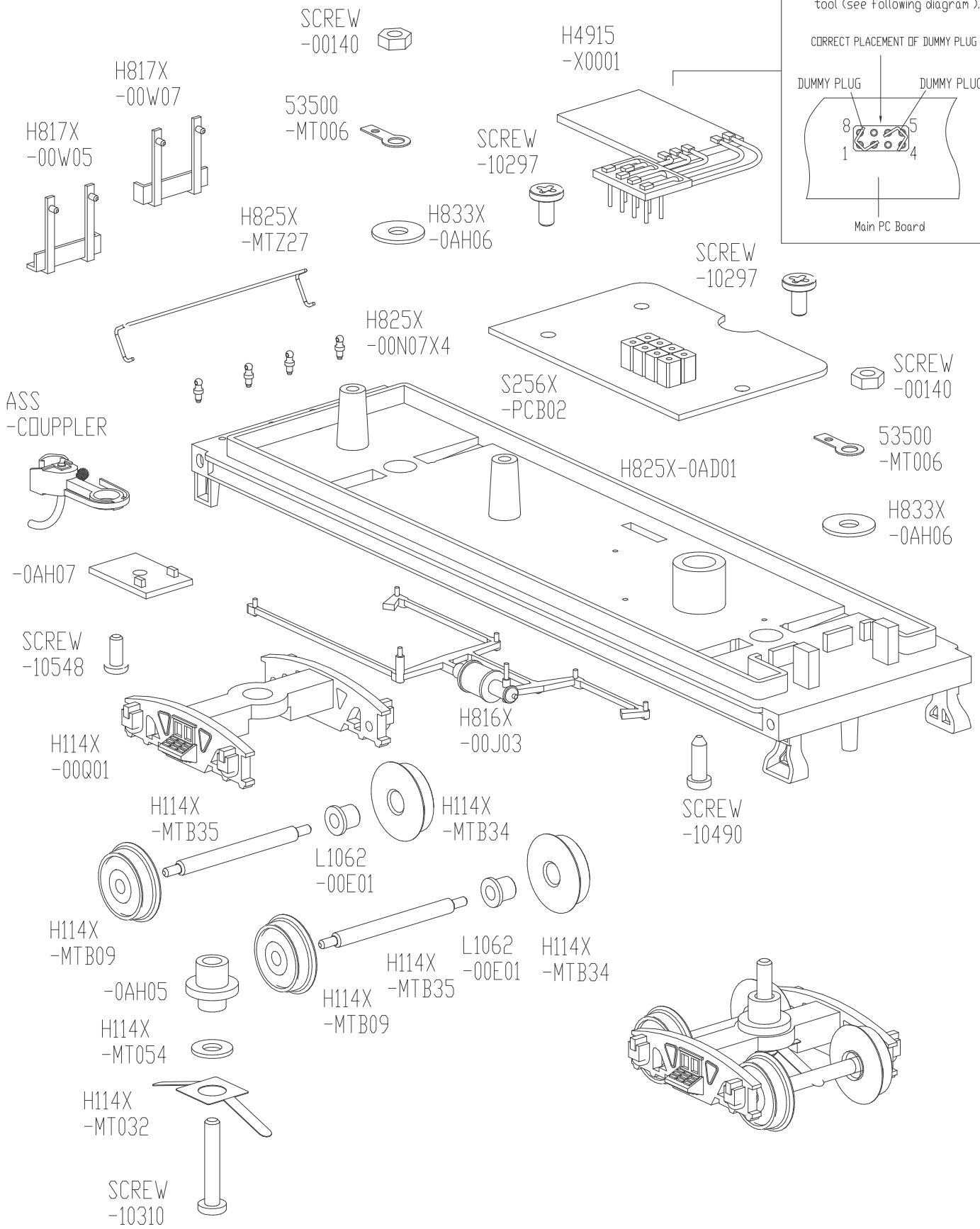
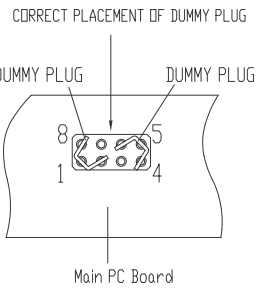
**TENDER WITH COAL LOAD**

#83304 #83305



**TENDER WITH COAL LOAD**

For dummy plug installation:  
 a) Remove the decoder ,  
 b) install the dummy plugs by tool (see following diagram ).



# COMMON TENDER CHASSIS