

Roof & Cupola Assemblies

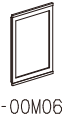
1:20.3 Large Scale
Long Caboose

#88795
#88798



CUPOLA WINDOWS
(WITH MUNTINS)

#88796
#88797
#88799



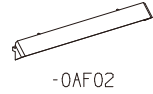
CUPOLA WINDOWS
(WITHOUT MUNTINS)

#88796
#88797
#88798
#88799

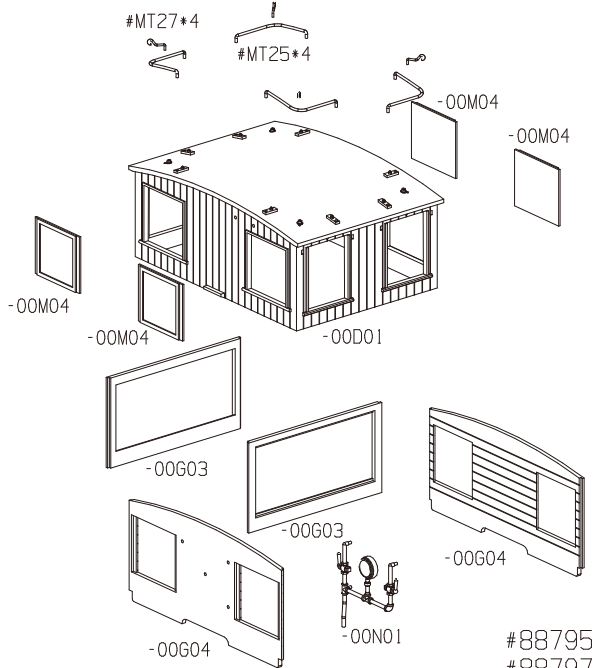


SHORT SHADE

#88795

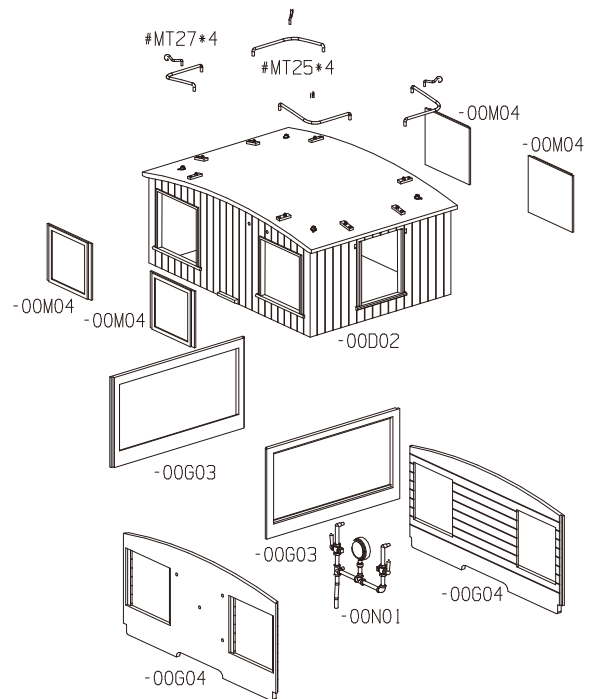


LONG SHADE



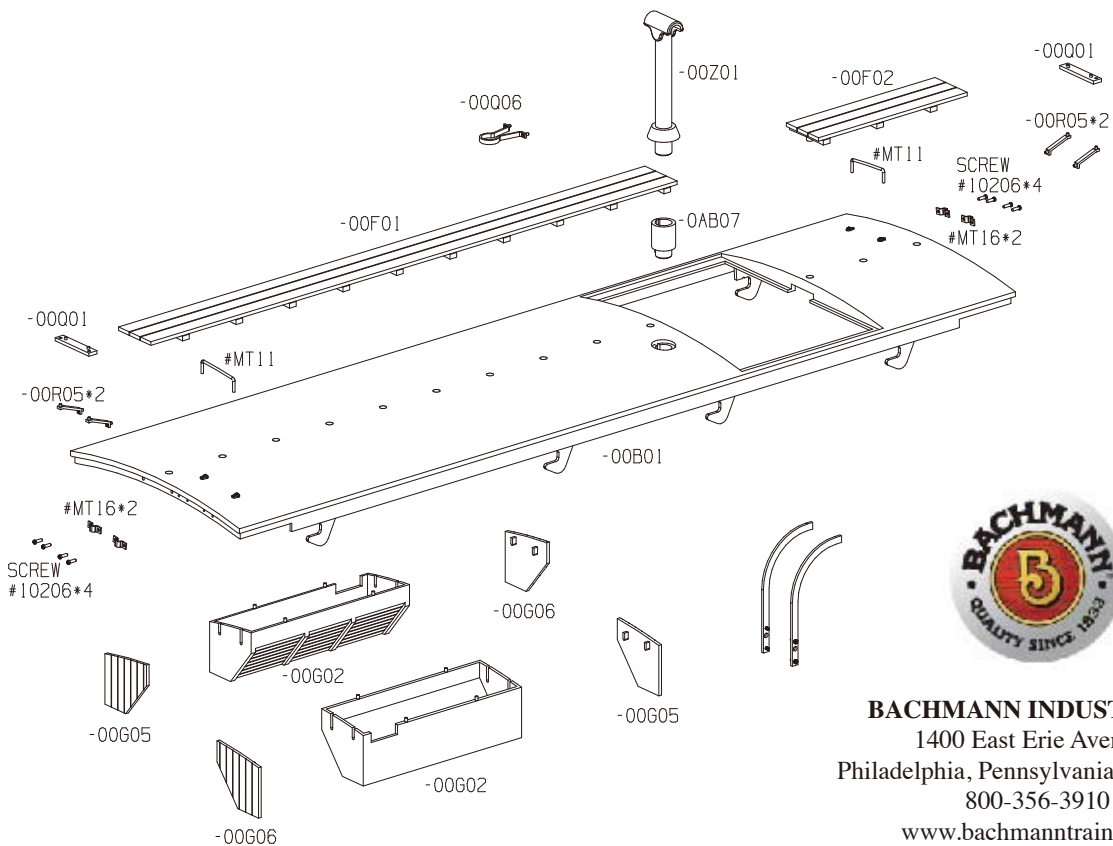
CUPOLA 1

#88795
#88797
#88798
#88799



CUPOLA 2

#88796



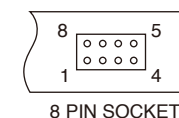
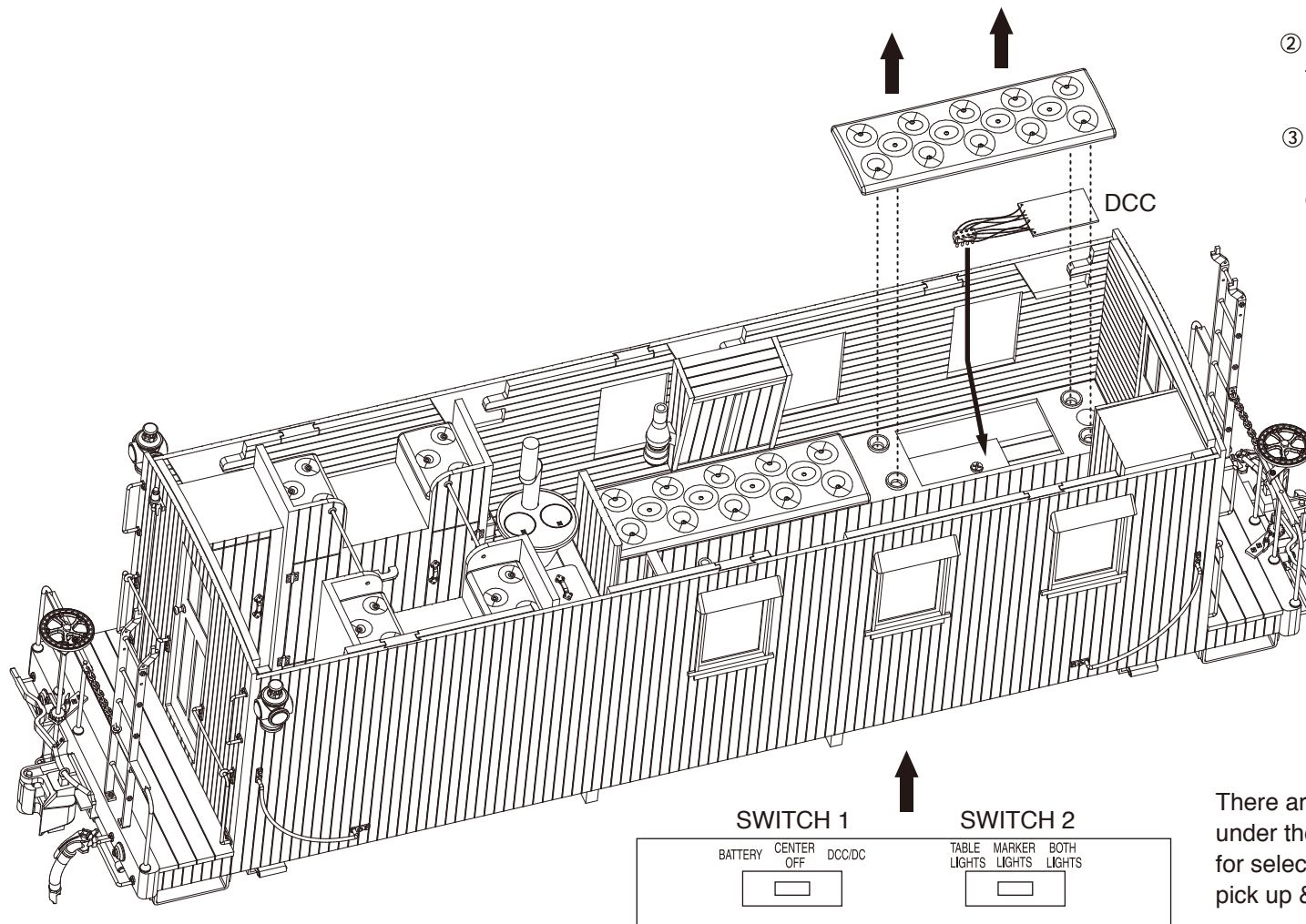
BACHMANN INDUSTRIES, INC.
1400 East Erie Avenue
Philadelphia, Pennsylvania 19124 USA
800-356-3910
www.bachmanntrains.com
Printed in China

How to install Decoder

① Pull up the cushion cover

② Remove the dummy plug from the socket

③ Install 8 pin decoder (either bachmann HO decoder or other decoder from open market)



There are 2 switches under the chassis for selection of pick up & LEDs

★ Please notice that when using non-Bachmann decoder, switch 2 should be located at the marker light position otherwise it works improperly. ★



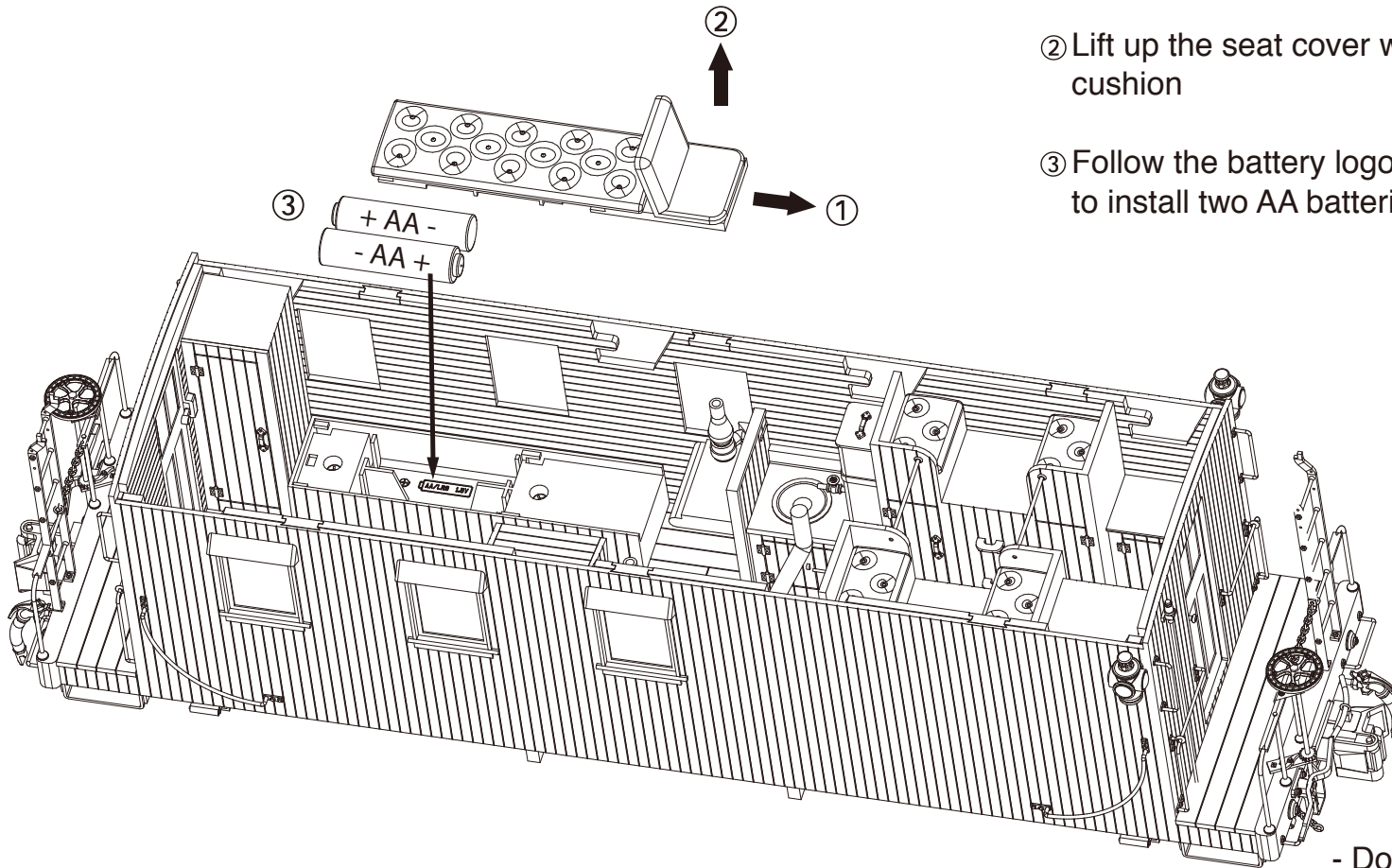
BACHMANN INDUSTRIES, INC.
 1400 East Erie Avenue
 Philadelphia, Pennsylvania 19124 USA
 800-356-3910
 www.bachmanntrains.com
 Printed in China

How to load batteries inside the car body

① Slide the seat cover horizontally

② Lift up the seat cover with cushion

③ Follow the battery logo position to install two AA batteries



* Batteries not included *

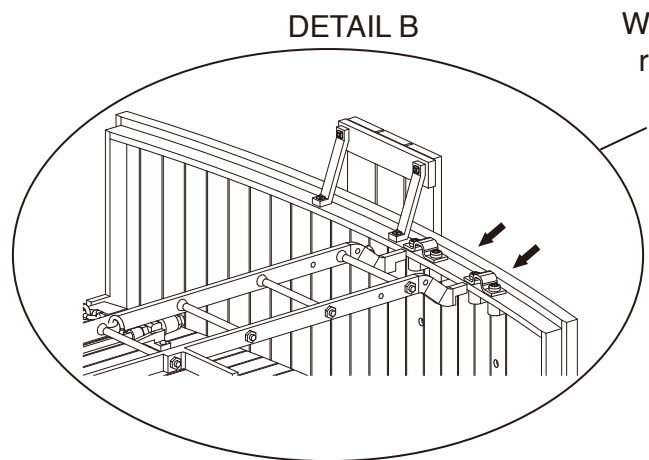
CAUTION!

- Do not mix old and new batteries or different types of batteries
- Remove batteries if the product is not in use
- Do not short-circuit the battery contacts

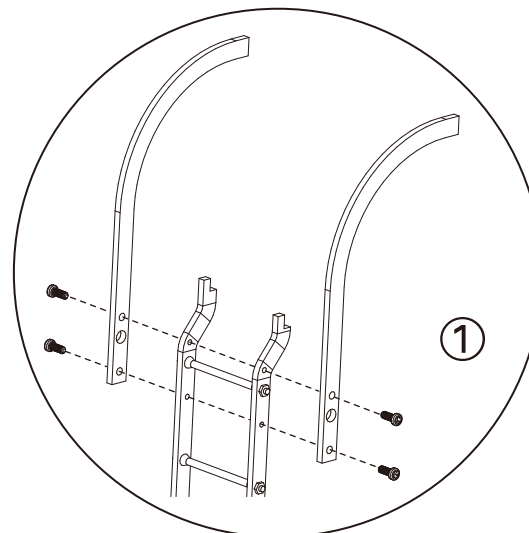


BACHMANN INDUSTRIES, INC.
1400 East Erie Avenue
Philadelphia, Pennsylvania 19124 USA
800-356-3910
www.bachmanntrains.com
Printed in China

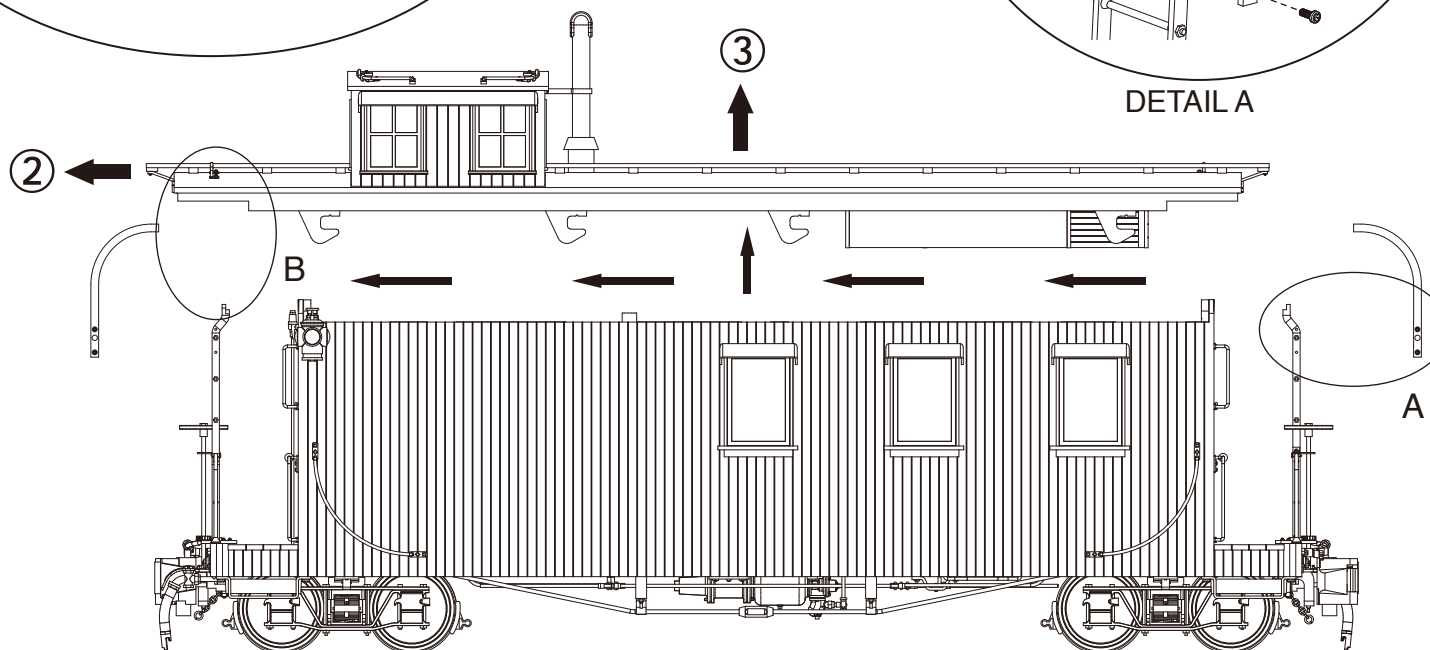
How to remove the roof from the body



When assembling the roof cover, make sure the ladder is installed into the brackets on the roof end.

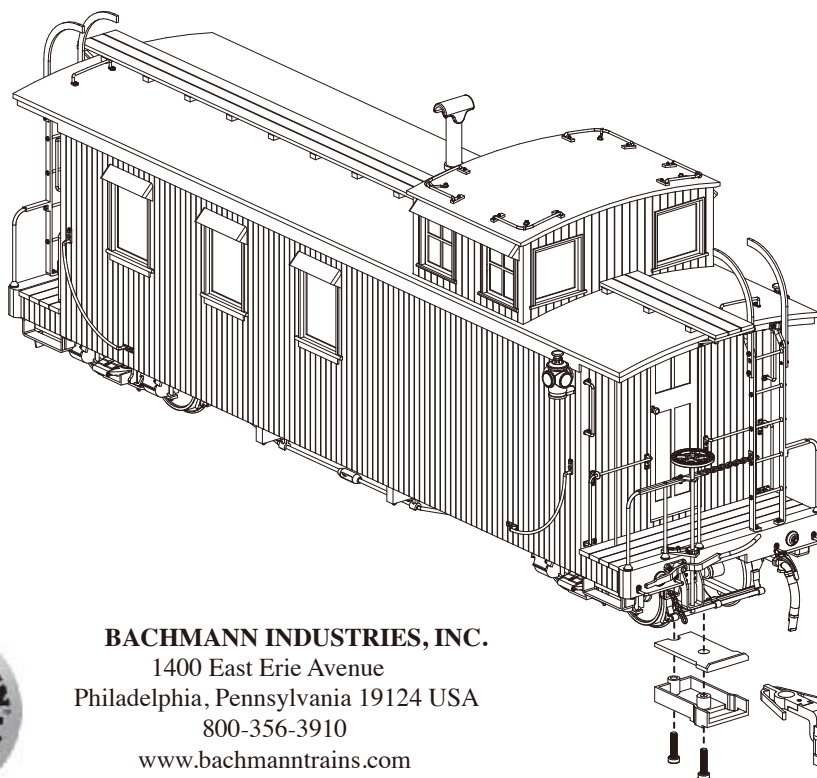


- ① Unfasten 4 screws at the long ladder (88797 , 88798)
- ② Slide the roof cover backward horizontally
- ③ Pull up the roof cover



BACHMANN INDUSTRIES, INC.
1400 East Erie Avenue
Philadelphia, Pennsylvania 19124 USA
800-356-3910
www.bachmanntrains.com
Printed in China

How to change the front / rear die-cast offset shank couplers



① Unfasten two screws on the coupler box cover and then remove the fine scale couplers

② Install the offset shank coupler with chain

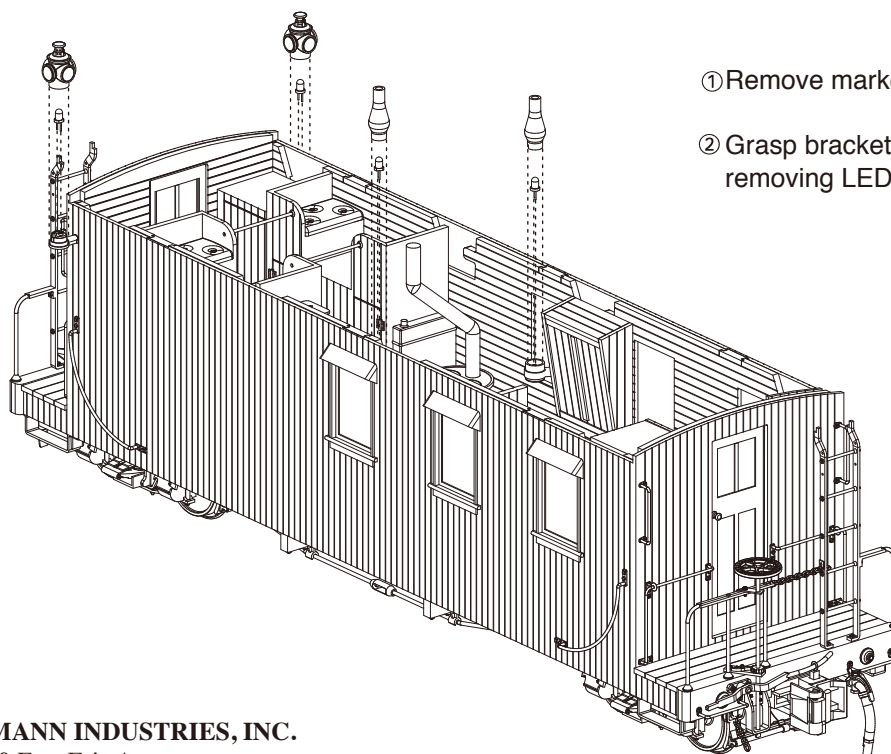
★ Make sure the chain is fastened to the uncoupling lever before assemble the coupler. ★



BACHMANN INDUSTRIES, INC.
1400 East Erie Avenue
Philadelphia, Pennsylvania 19124 USA
800-356-3910
www.bachmanntrains.com
Printed in China

(ACCESSORY BAG)

How to exchange LEDs on markers/table lights



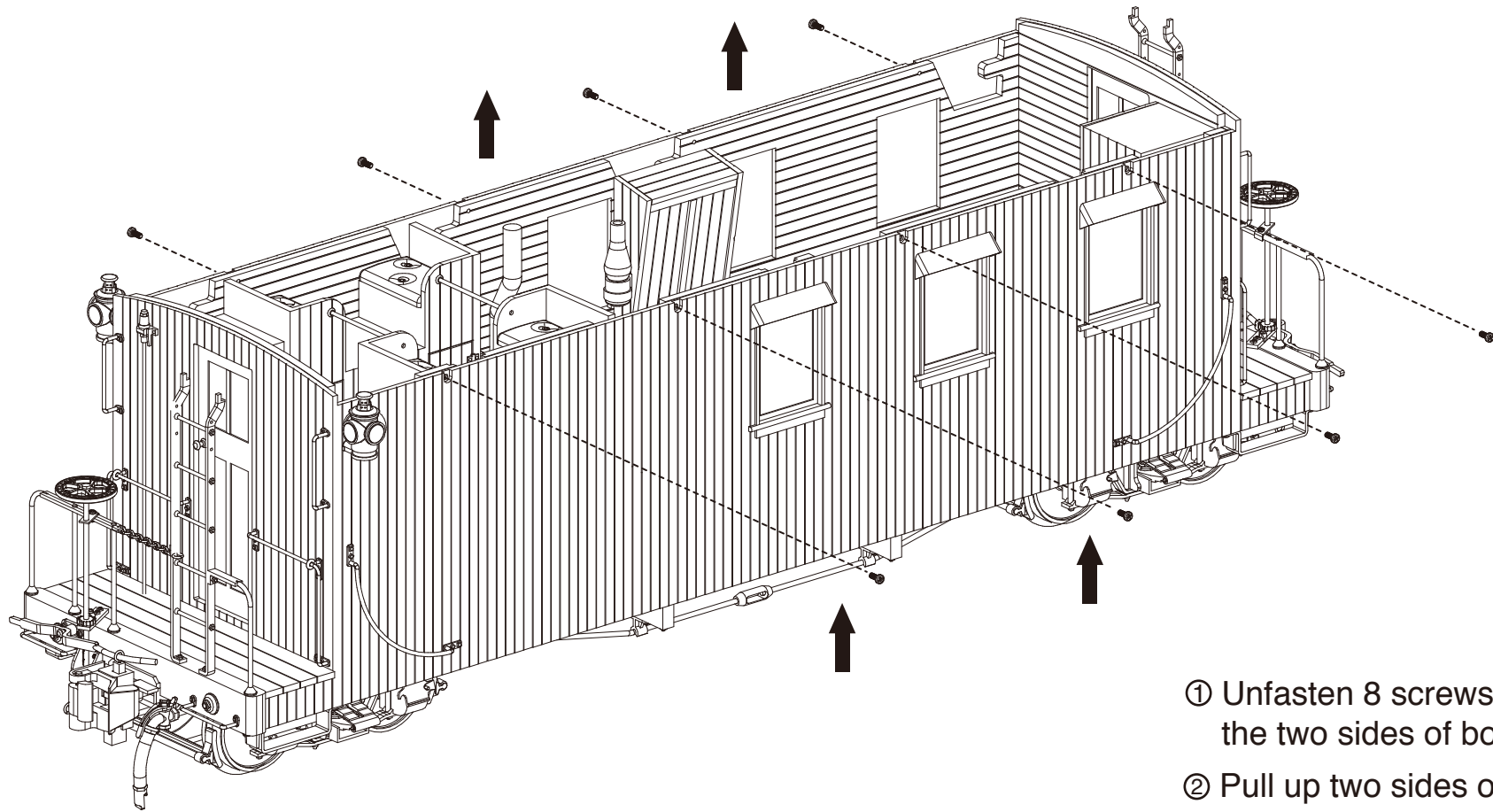
① Remove marker lamp / chimney

② Grasp bracket while removing LED



BACHMANN INDUSTRIES, INC.
1400 East Erie Avenue
Philadelphia, Pennsylvania 19124 USA
800-356-3910
www.bachmanntrains.com
Printed in China

How to separate the two sides of the interior walls from the body shell



- ① Unfasten 8 screws at the two sides of body shell
- ② Pull up two sides of interior walls carefully to prevent damage to the wires inside the interior walls



BACHMANN INDUSTRIES, INC.
1400 East Erie Avenue
Philadelphia, Pennsylvania 19124 USA
800-356-3910
www.bachmanntrains.com
Printed in China