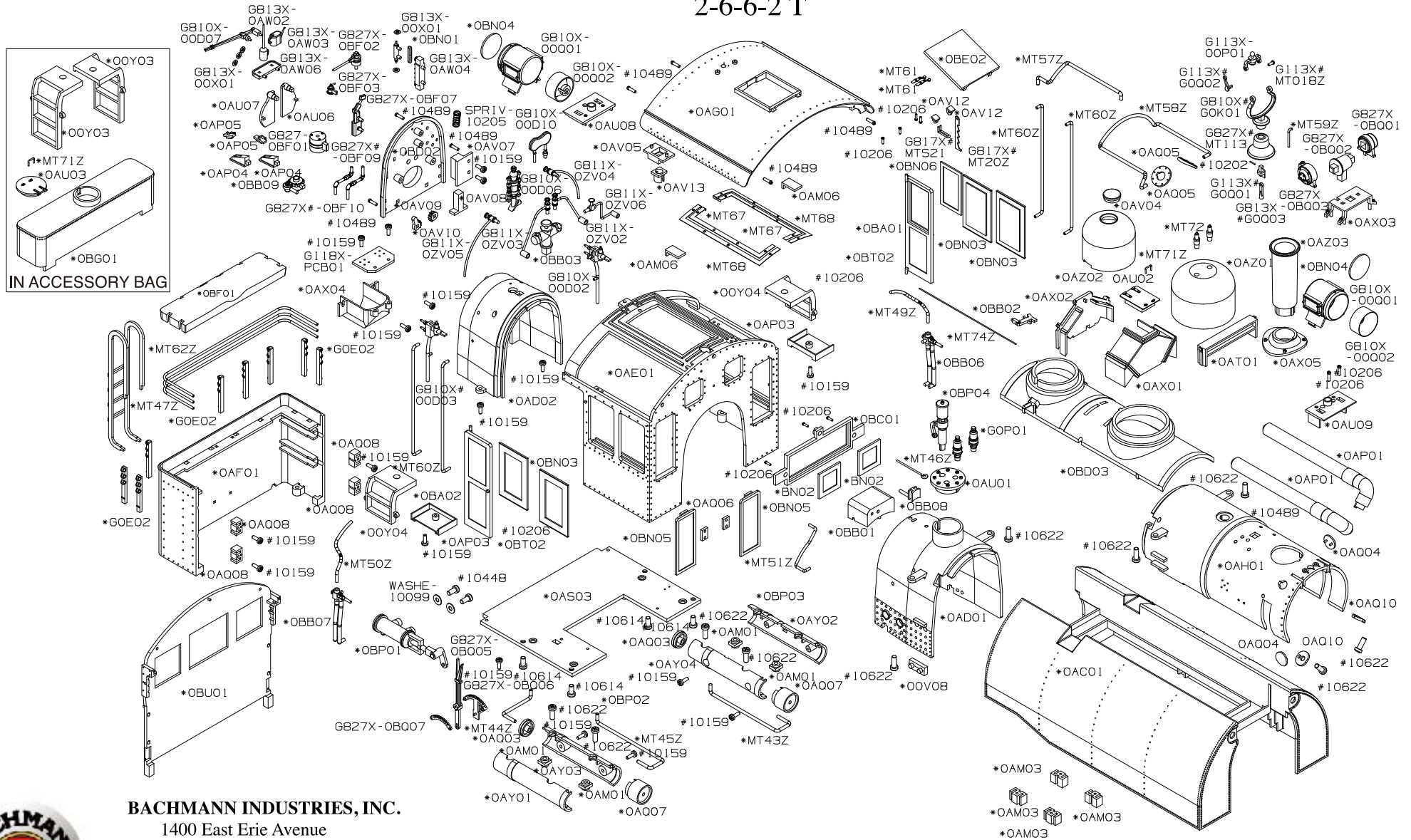


Boiler, Cab & Bunker Assemblies

1:20.3 Large Scale

2-6-6-2 T



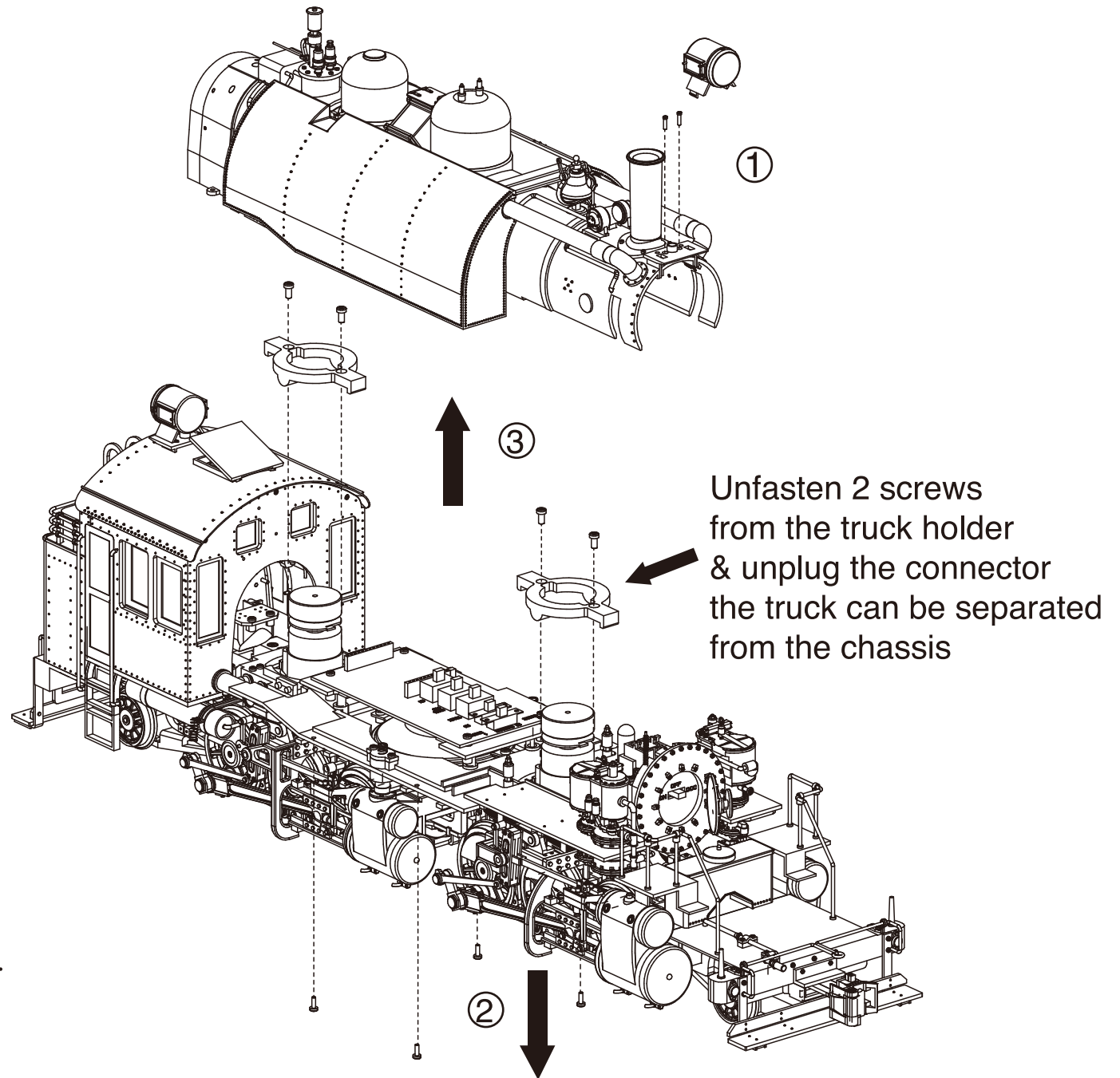
BACHMANN INDUSTRIES, INC.
1400 East Erie Avenue
Philadelphia, Pennsylvania 19124 USA
800-356-3910
www.bachmanntrains.com
Printed in China

How to separate the water tank & the front of boiler from the chassis

1. Unfasten 2 screws under the head light

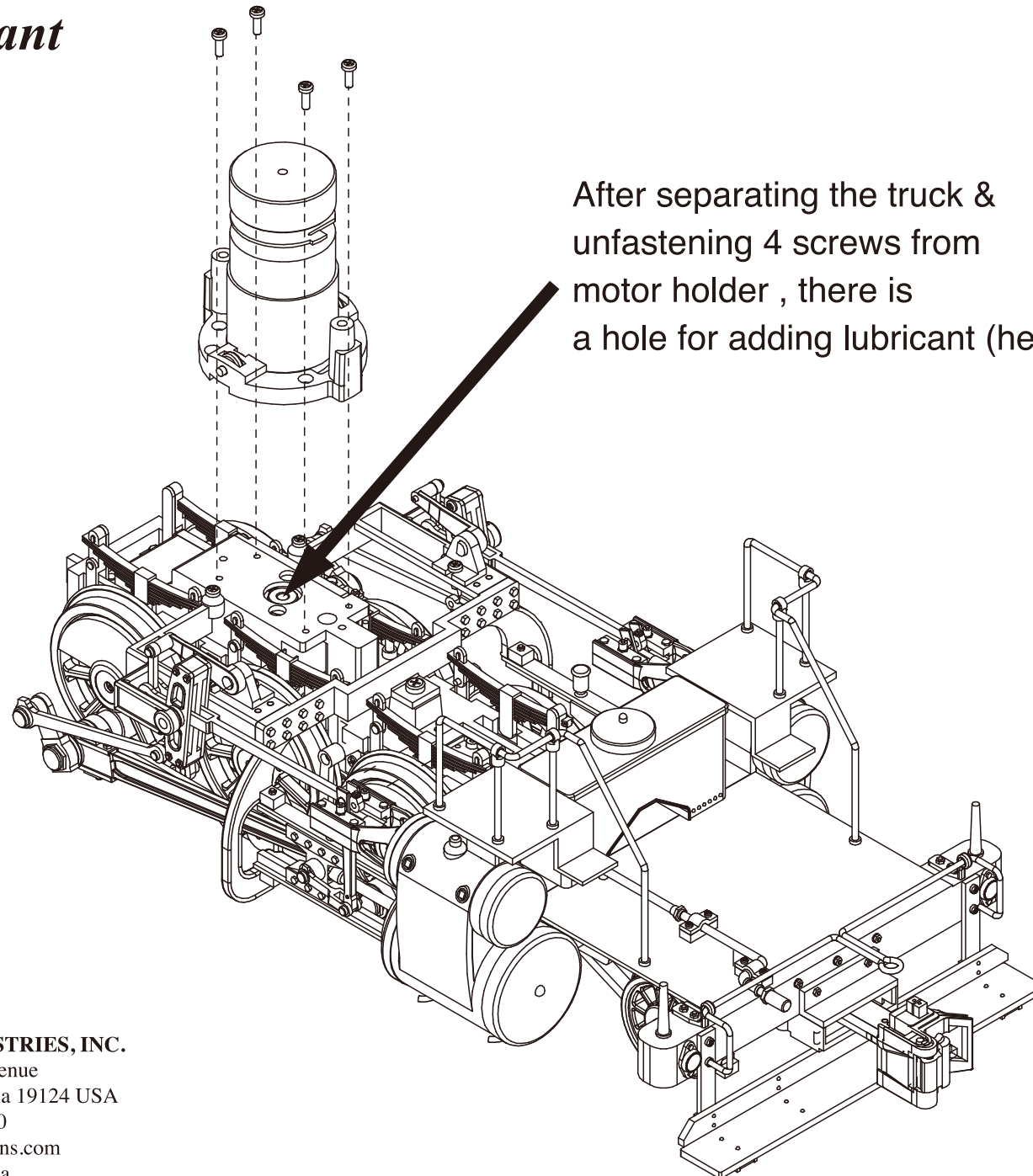
2. Unfasten 4 screws under the running board

3. Pull up the water tank & the front of boiler



BACHMANN INDUSTRIES, INC.
1400 East Erie Avenue
Philadelphia, Pennsylvania 19124 USA
800-356-3910
www.bachmanntrains.com
Printed in China

How to add lubricant

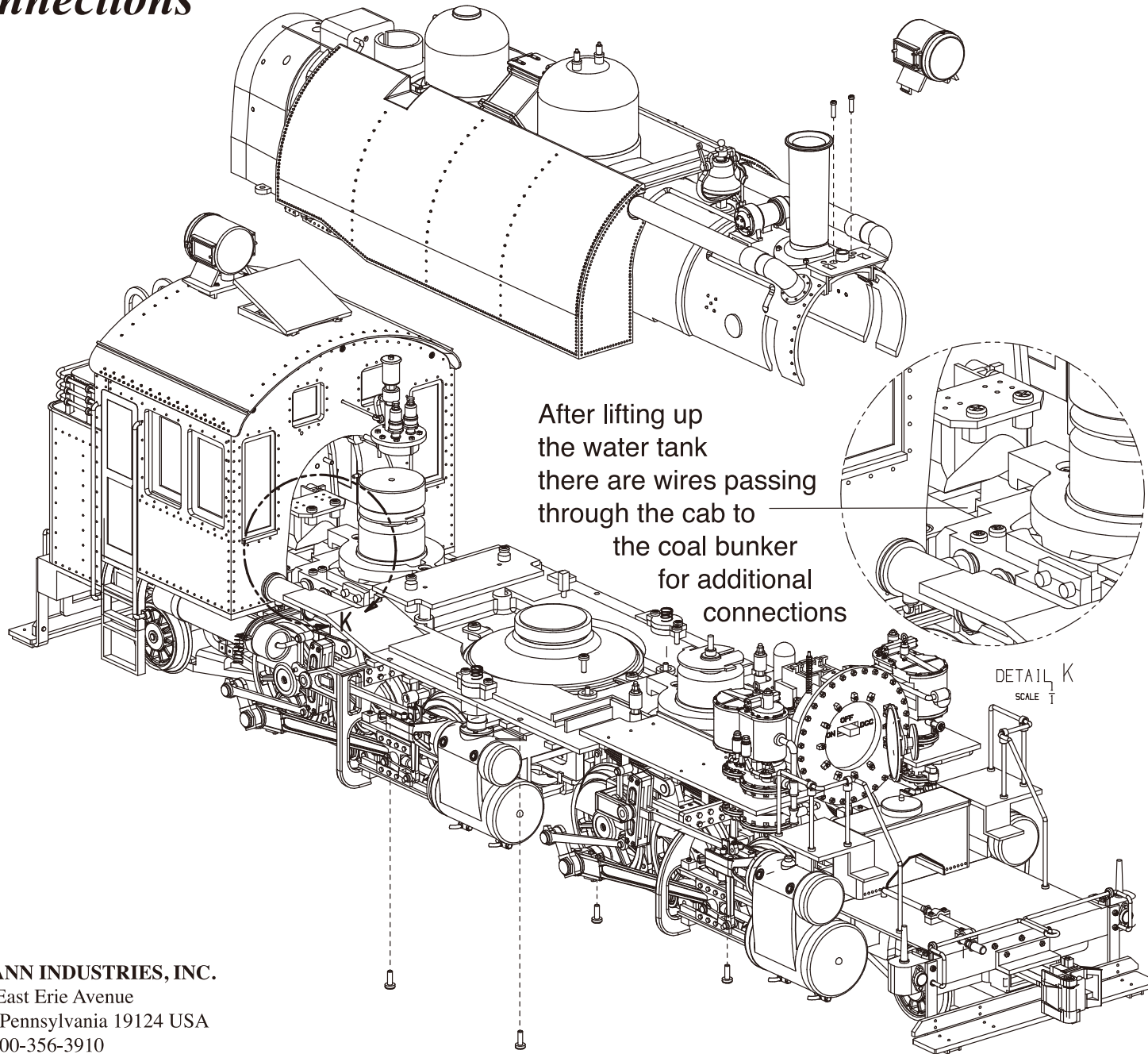


After separating the truck & unfastening 4 screws from motor holder , there is a hole for adding lubricant (heavy viscosity)



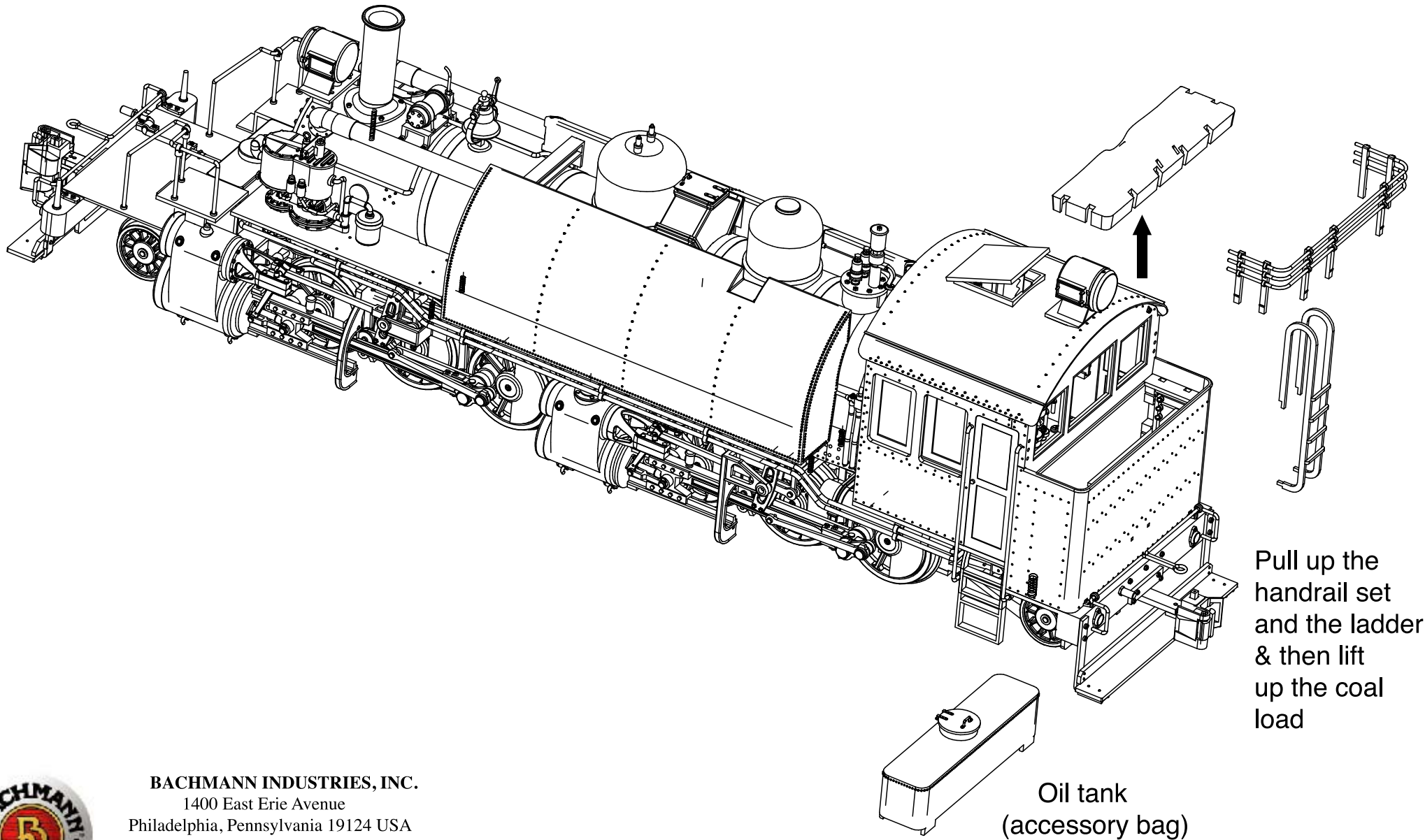
BACHMANN INDUSTRIES, INC.
1400 East Erie Avenue
Philadelphia, Pennsylvania 19124 USA
800-356-3910
www.bachmanntrains.com
Printed in China

Additional connections



BACHMANN INDUSTRIES, INC.
1400 East Erie Avenue
Philadelphia, Pennsylvania 19124 USA
800-356-3910
www.bachmanntrains.com
Printed in China

How to change the coal load to the oil tank



Pull up the handrail set and the ladder & then lift up the coal load

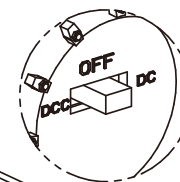
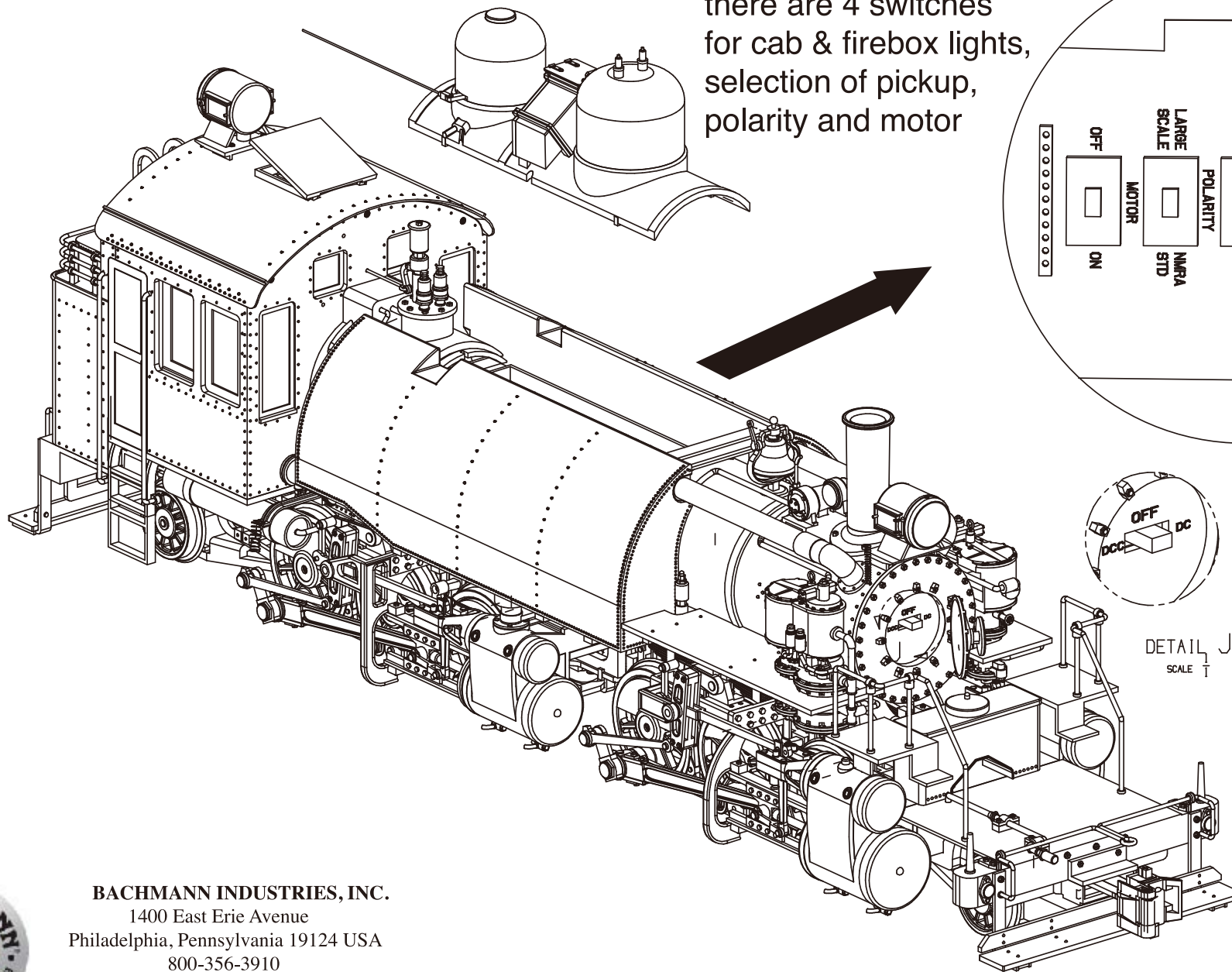
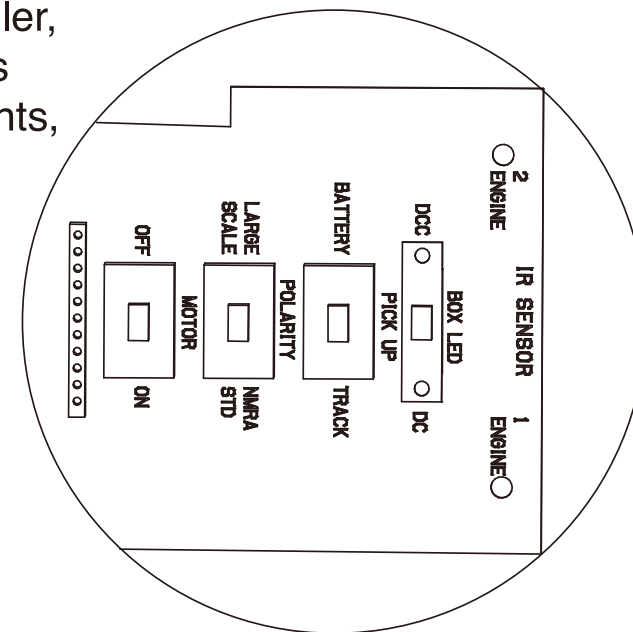


BACHMANN INDUSTRIES, INC.
1400 East Erie Avenue
Philadelphia, Pennsylvania 19124 USA
800-356-3910
www.bachmanntrains.com
Printed in China

Oil tank
(accessory bag)

How to access the interface circuit

Lift up the top of boiler, there are 4 switches for cab & firebox lights, selection of pickup, polarity and motor



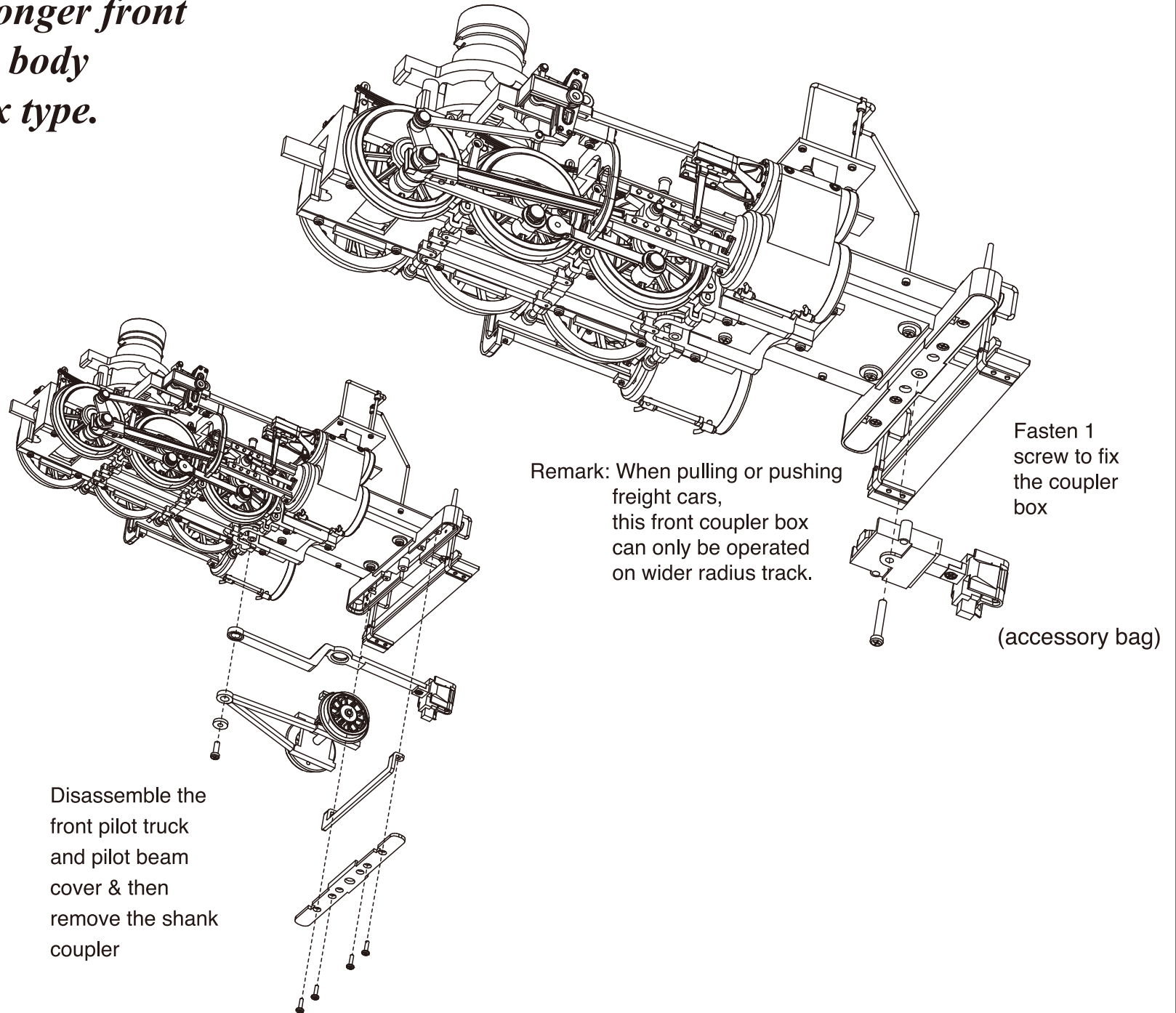
DETAIL
SCALE 1

Open the smoke box door, there is a switch for smoke generator



BACHMANN INDUSTRIES, INC.
1400 East Erie Avenue
Philadelphia, Pennsylvania 19124 USA
800-356-3910
www.bachmanntrains.com
Printed in China

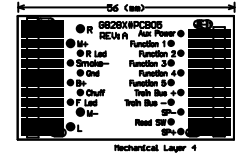
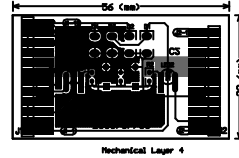
How to change the longer front shank coupler to the body mounted coupler box type.



BACHMANN INDUSTRIES, INC.
1400 East Erie Avenue
Philadelphia, Pennsylvania 19124 USA
800-356-3910
www.bachmanntrains.com
Printed in China

Accessory Bag

G828X#PCB04A
DC JUMPER
PC Board

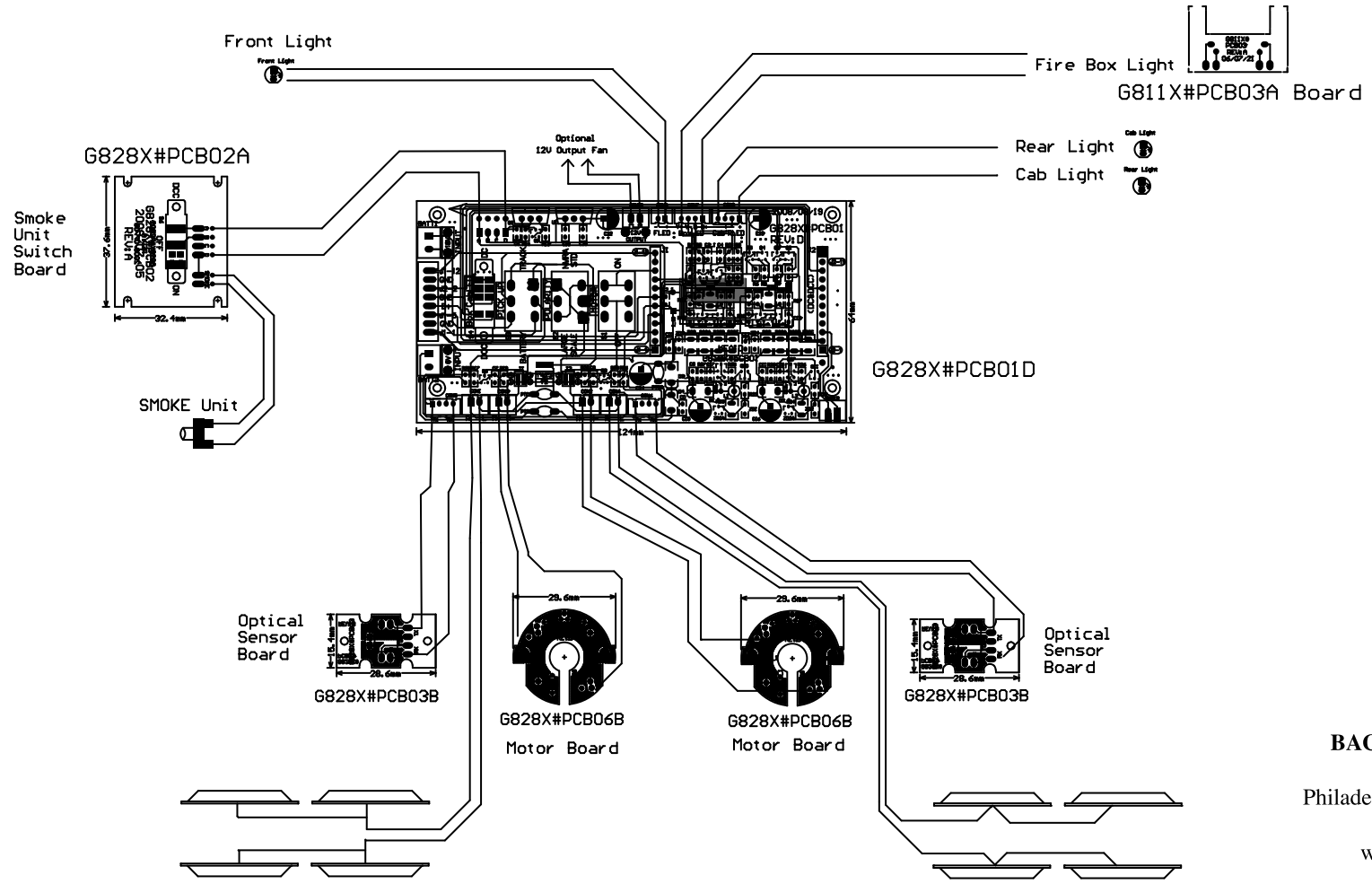


G828X#PCB05A
DCC Adaptor Board
With Wires

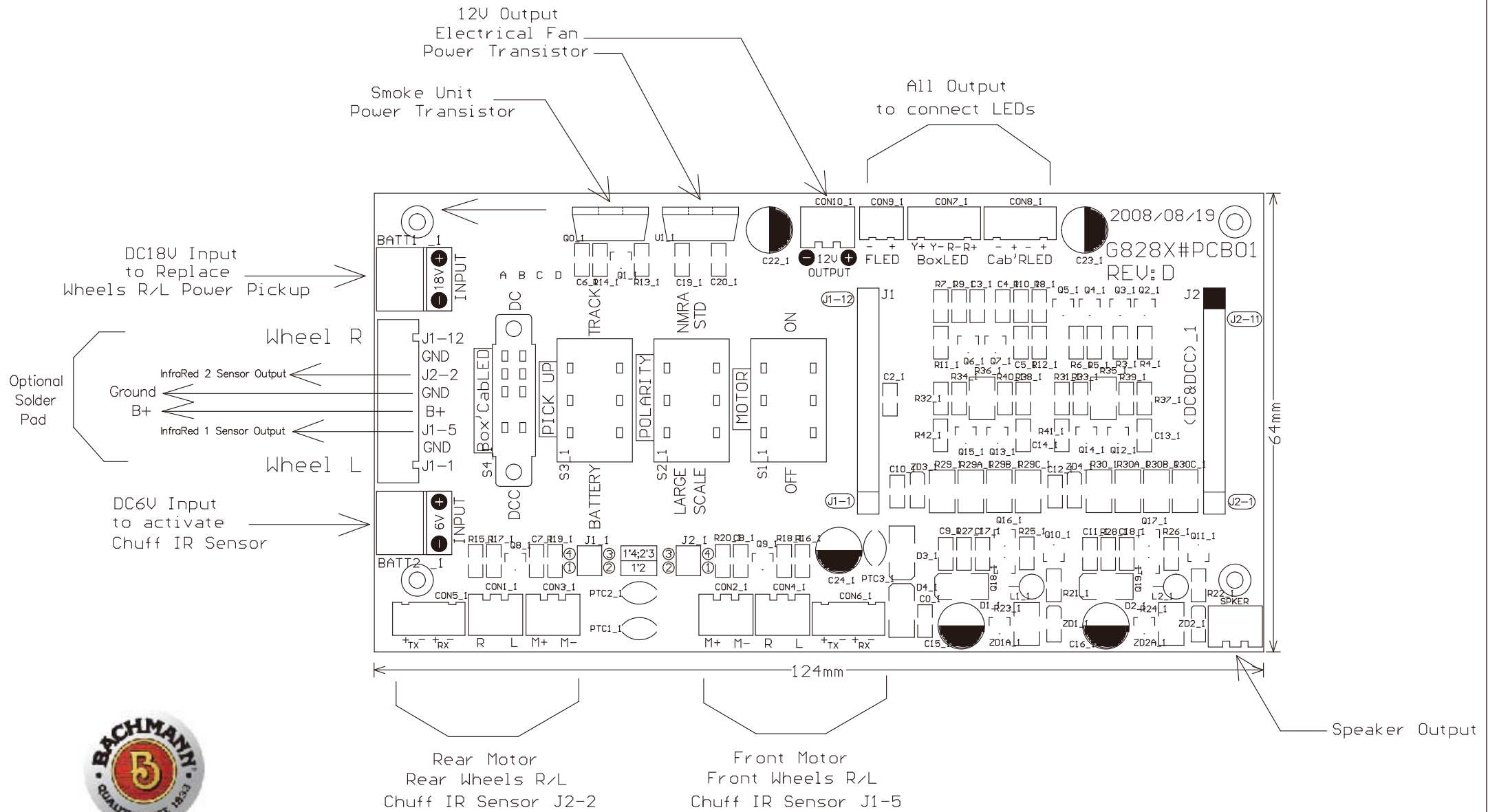
AWG26
BROWN
WHITE
ORANGE
YELLOW

For Customer Usage

<FROM BUNKER TO BOILER>



BACHMANN INDUSTRIES, INC.
1400 East Erie Avenue
Philadelphia, Pennsylvania 19124 USA
800-356-3910
www.bachmanntrains.com
Printed in China



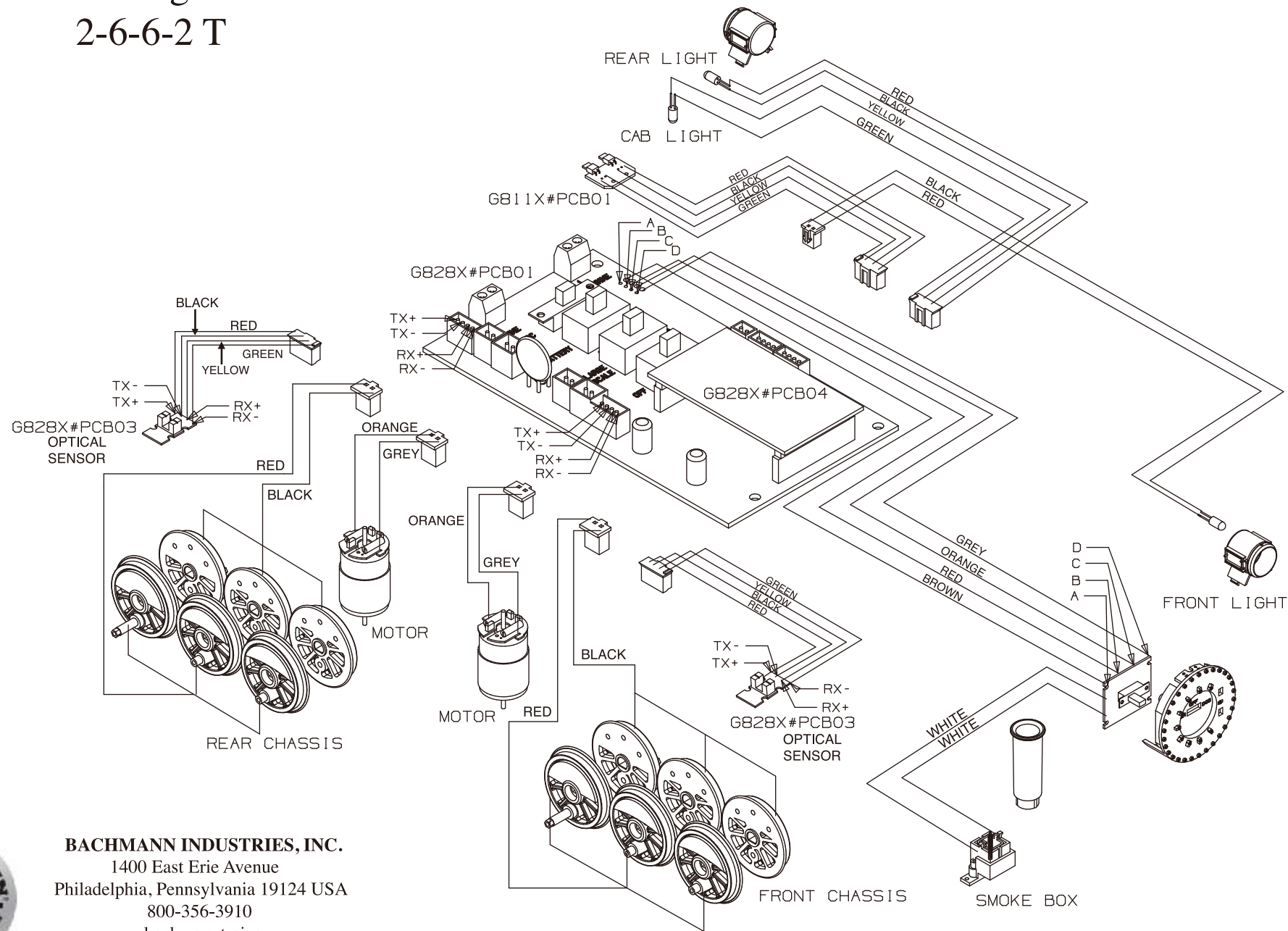
BACHMANN INDUSTRIES, INC.
 1400 East Erie Avenue
 Philadelphia, Pennsylvania 19124 USA
 800-356-3910
 www.bachmanntrains.com
 Printed in China

2-6-6-2 Connection Diagram

Wiring Assembly

1:20.3 Large Scale

2-6-6-2 T



BACHMANN INDUSTRIES, INC.
 1400 East Erie Avenue
 Philadelphia, Pennsylvania 19124 USA
 800-356-3910
 www.bachmanntrains.com
 Printed in China