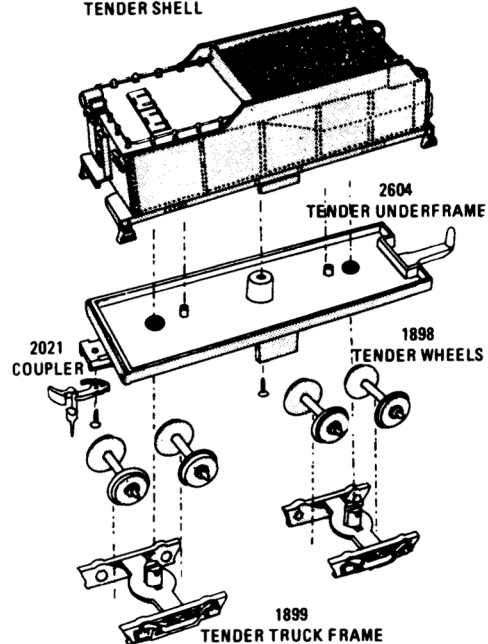


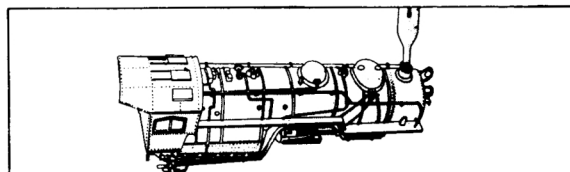
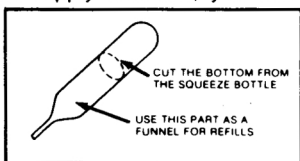
2978  
TENDER SHELL



**SMOKE LIQUID INSTRUCTIONS**

Smoke liquid is packed with your locomotive. The liquid goes into the opening indicated in the engine diagram. Squeeze only a few drops into the opening. Replenish it when the smoke stops. For best results do not overfill. When the original supply runs out, you can purchase more—but save the

ORIGINAL BOTTLE. A 2 oz. bottle of smoke fluid is available from Bachmann (No. 2293 in the catalog). You can make a funnel for refills by cutting the original plastic bottle that came with the loco.



**BACHMANN**

1400 E. ERIE AVENUE  
PHILADELPHIA, PA. 19124 U.S.A.