



# O SCALE PLASTICVILLE U.S.A.®

**COALING TOWER - Item No. 45979**

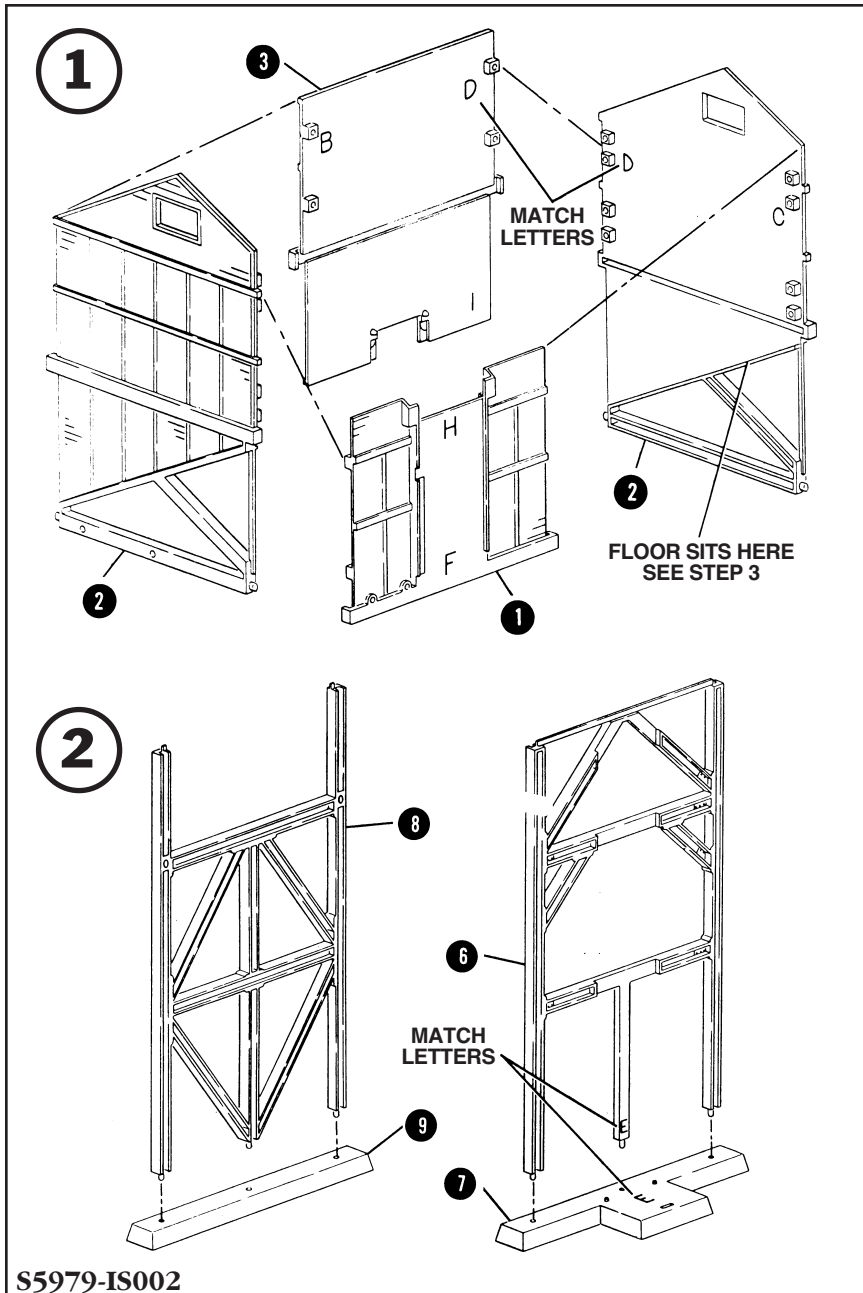
Snap-fit • Styled after authentic American prototype • Ages 14+

**IMPORTANT - BEFORE STARTING:**

- IF DECALS OR SIGNS ARE INCLUDED, APPLY PRIOR TO ASSEMBLY.
- CHECK CONTENTS AGAINST LIST OF PARTS.
- CAREFULLY TRIM ANY EXCESS PLASTIC FROM THE PARTS BEFORE ASSEMBLING.
- DOORS AND WINDOWS MUST BE GLUED IN PLACE. ALTHOUGH NO ADDITIONAL GLUE IS NECESSARY, YOU MAY ALSO WISH TO ADD A FEW DROPS OF STYRENE CEMENT TO JOINTS FOR PERMANENT CONSTRUCTION.

**③ = PART NUMBER**

**③ = ASSEMBLY SEQUENCE NUMBER**



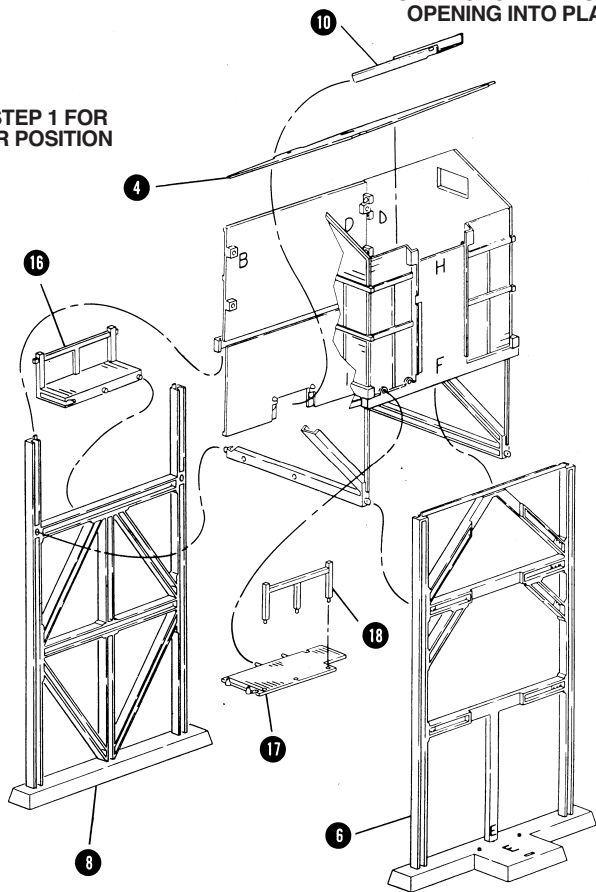
## LIST OF PARTS

PART NO.	PART NAME	QTY
1	FRONT WALL	1
2	SIDE WALLS	2
3	REAR WALL	1
4	FLOOR	1
5	ROOF	1
6	"T" BEAM SUPPORT (FRONT)	1
7	SUPPORT BASE ("T" SHAPE)	1
8	"T" BEAM SUPPORT (REAR)	1
9	SUPPORT BASE	1
10	CHUTE (SHORT)	1
11	CHUTE (LONG)	1
12	REAR WALL (LONG CHUTE)	1
13	CHUTE DOOR	1
14	DOOR	1
15	STAIRS with WALKWAY	1
16	WALKWAY with RAIL	1
17	WALKWAY	1
18	RAIL	1
19	LADDER with RAILING	1

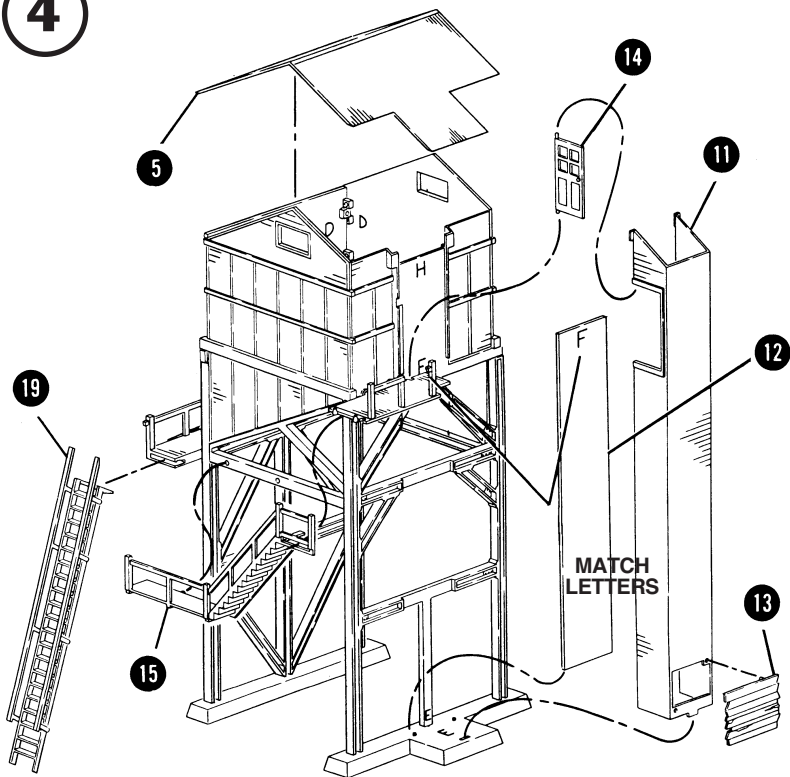
3

SLIDE CHUTE THROUGH  
OPENING INTO PLACE

SEE STEP 1 FOR  
FLOOR POSITION



4



BACHMANN INDUSTRIES, INC.  
 1400 EAST ERIE AVENUE  
 PHILADELPHIA, PA 19124 USA  
[www.bachmanntrains.com](http://www.bachmanntrains.com)



PRINTED IN CHINA