

O SCALE

PLASTICVILLE

U.S.A.®



TRESTLE BRIDGE - Item No. 45975

Snap-fit • No glue necessary • Styled after authentic American prototype • Ages 14+

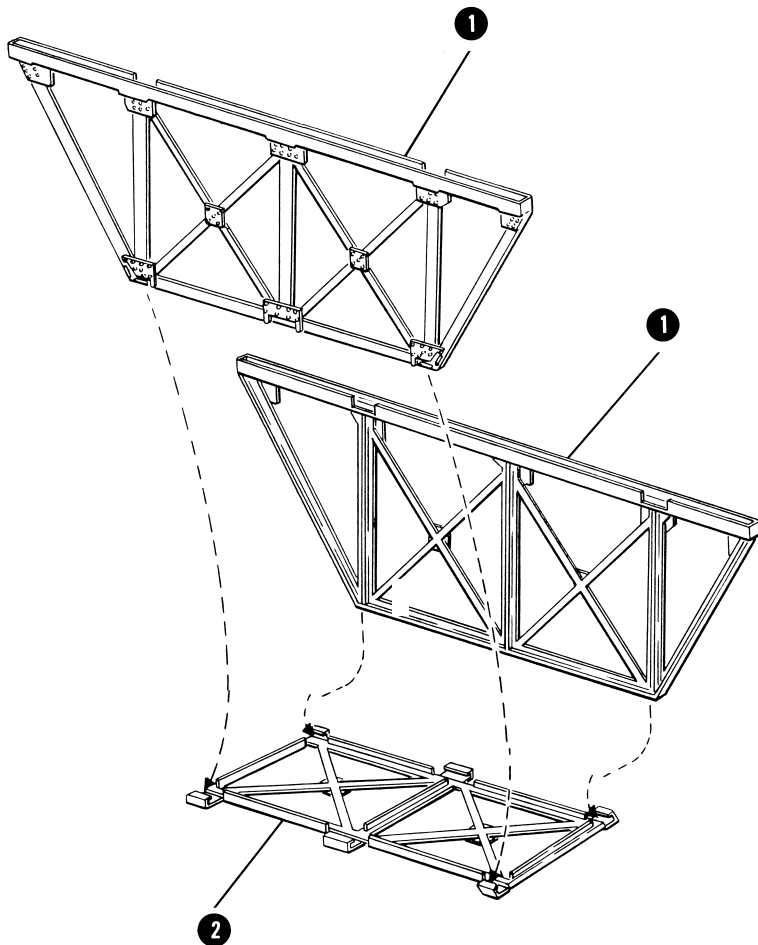
IMPORTANT - BEFORE STARTING:

- IF DECALS OR SIGNS ARE INCLUDED, APPLY PRIOR TO ASSEMBLY.
- CHECK CONTENTS AGAINST LIST OF PARTS.
- CAREFULLY TRIM ANY EXCESS PLASTIC FROM THE PARTS BEFORE ASSEMBLING.
- ALTHOUGH NO GLUE IS NECESSARY, YOU MAY ALSO WISH TO ADD A FEW DROPS OF STYRENE CEMENT TO JOINTS FOR PERMANENT CONSTRUCTION.

③ = PART NUMBER

③ = ASSEMBLY SEQUENCE NUMBER

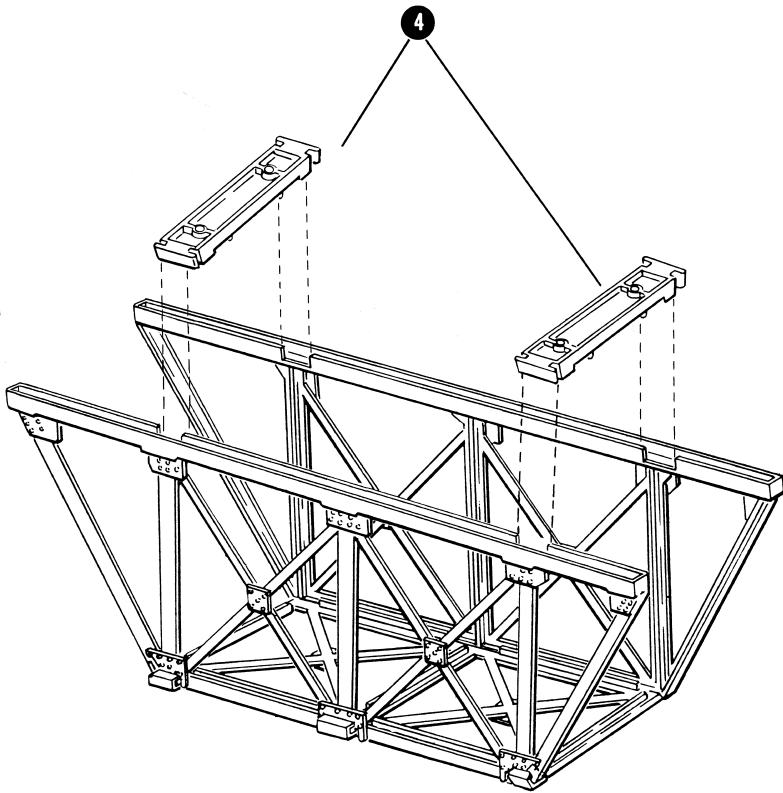
①



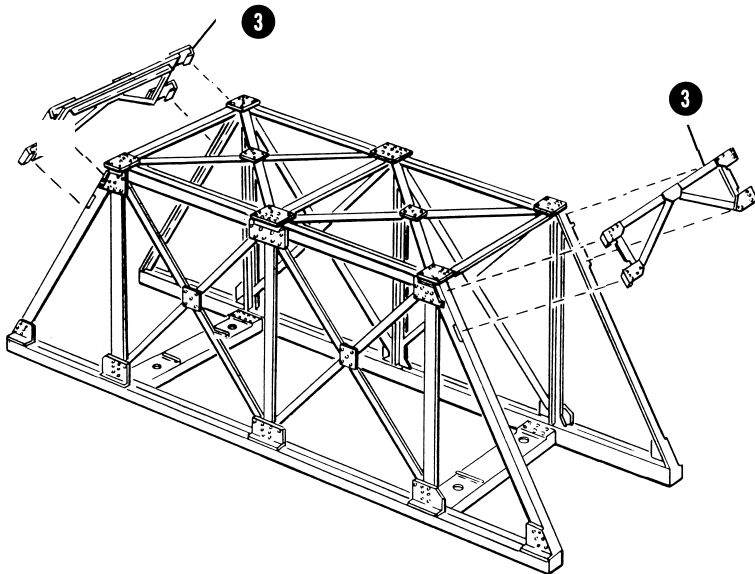
LIST OF PARTS

| <u>PART NO.</u> | <u>PART NAME</u> | <u>QTY</u> |
|-----------------|------------------|------------|
| 1 | Side Support | 2 |
| 2 | Top | 1 |
| 3 | End Brace | 2 |
| 4 | Base Bar | 2 |

2



3



BACHMANN INDUSTRIES, INC.
1400 EAST ERIE AVENUE
PHILADELPHIA, PA 19124 USA
www.bachmanntrains.com



PRINTED IN CHINA