



# O SCALE PLASTICVILLE U.S.A.®

TOWN HALL - Item No. 45614

Snap-fit • No glue necessary • Styled after authentic American prototype • Ages 14+

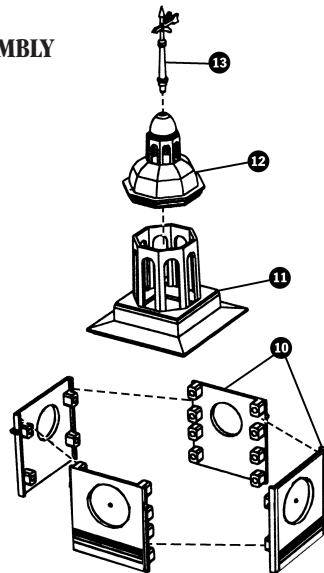
## IMPORTANT - BEFORE STARTING:

- IF DECALS OR SIGNS ARE INCLUDED, APPLY PRIOR TO ASSEMBLY.
- CHECK CONTENTS AGAINST LIST OF PARTS.
- CAREFULLY TRIM ANY EXCESS PLASTIC FROM THE PARTS BEFORE ASSEMBLING.
- ALTHOUGH NO GLUE IS NECESSARY, YOU MAY ALSO WISH TO ADD A FEW DROPS OF STYRENE CEMENT TO JOINTS FOR PERMANENT CONSTRUCTION.

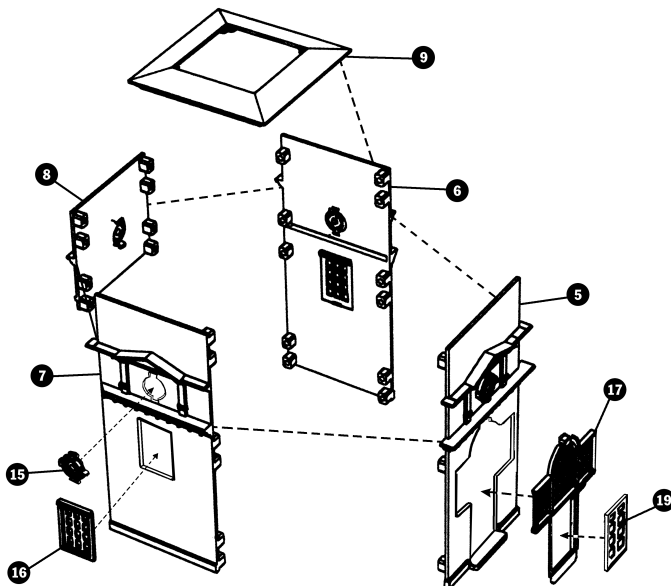
③ = PART NUMBER

③ = ASSEMBLY SEQUENCE NUMBER

### 1 CLOCK AND BELFRY ASSEMBLY



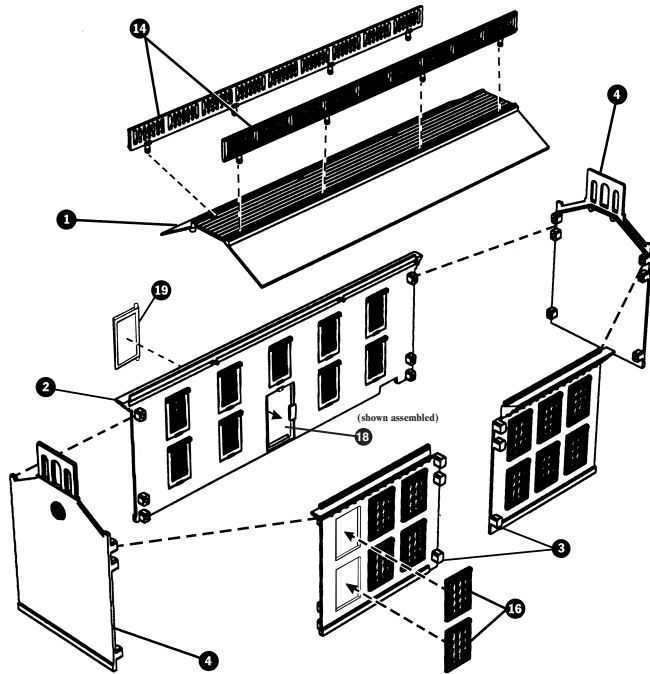
### 2 BELL TOWER ASSEMBLY



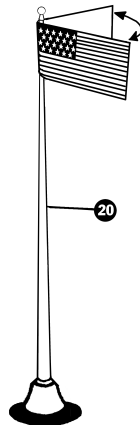
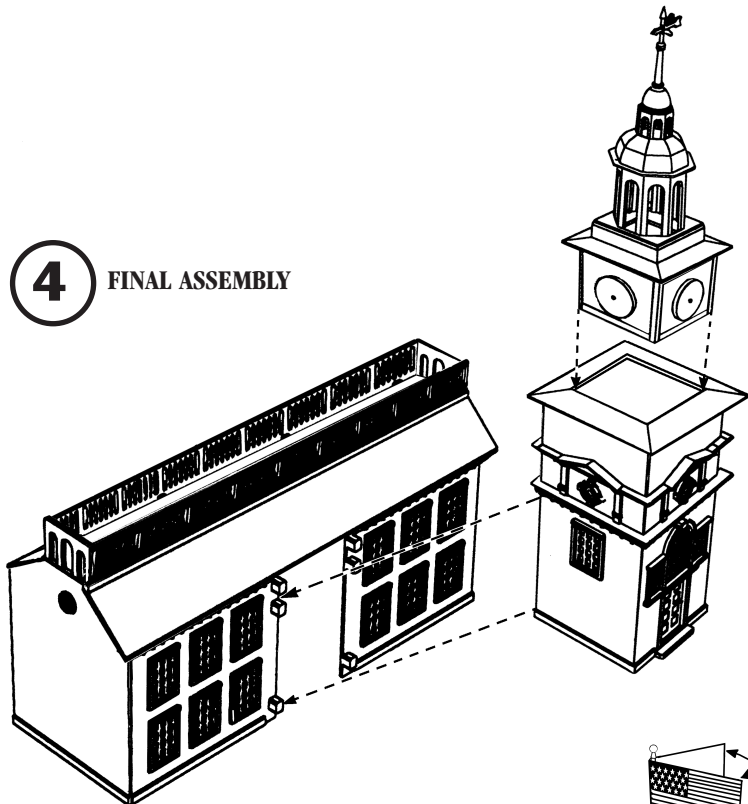
## LIST OF PARTS

PART NO.	PART NAME	QTY
1	Roof	1
2	Rear wall	1
3	Front walls	2
4	Side walls	2
5	Front wall (bell tower)	1
6	Right side wall (bell tower)	1
7	Left side wall (bell tower)	1
8	Rear wall (bell tower)	1
9	Cap (bell tower)	1
10	Clock faces	4
11	Belfry	1
12	Belfry dome	1
13	Weather vane	1
14	Railings	2
15	Circular windows	4
16	Windows	23
17	Large door jamb	1
18	Small door jamb	1
19	Doors	2
20	Flag Pole with Flag	1

### 3 BUILDING ASSEMBLY



### 4 FINAL ASSEMBLY



PLACE FLAG POLE AS DESIRED

BACHMANN INDUSTRIES, INC.  
1400 EAST ERIE AVENUE  
PHILADELPHIA, PA 19124 USA  
[www.bachmanntrains.com](http://www.bachmanntrains.com)



PRINTED IN CHINA