

# O SCALE PLASTICVILLE U.S.A.®

## FIRE HOUSE with VEHICLES - Item No. 45610

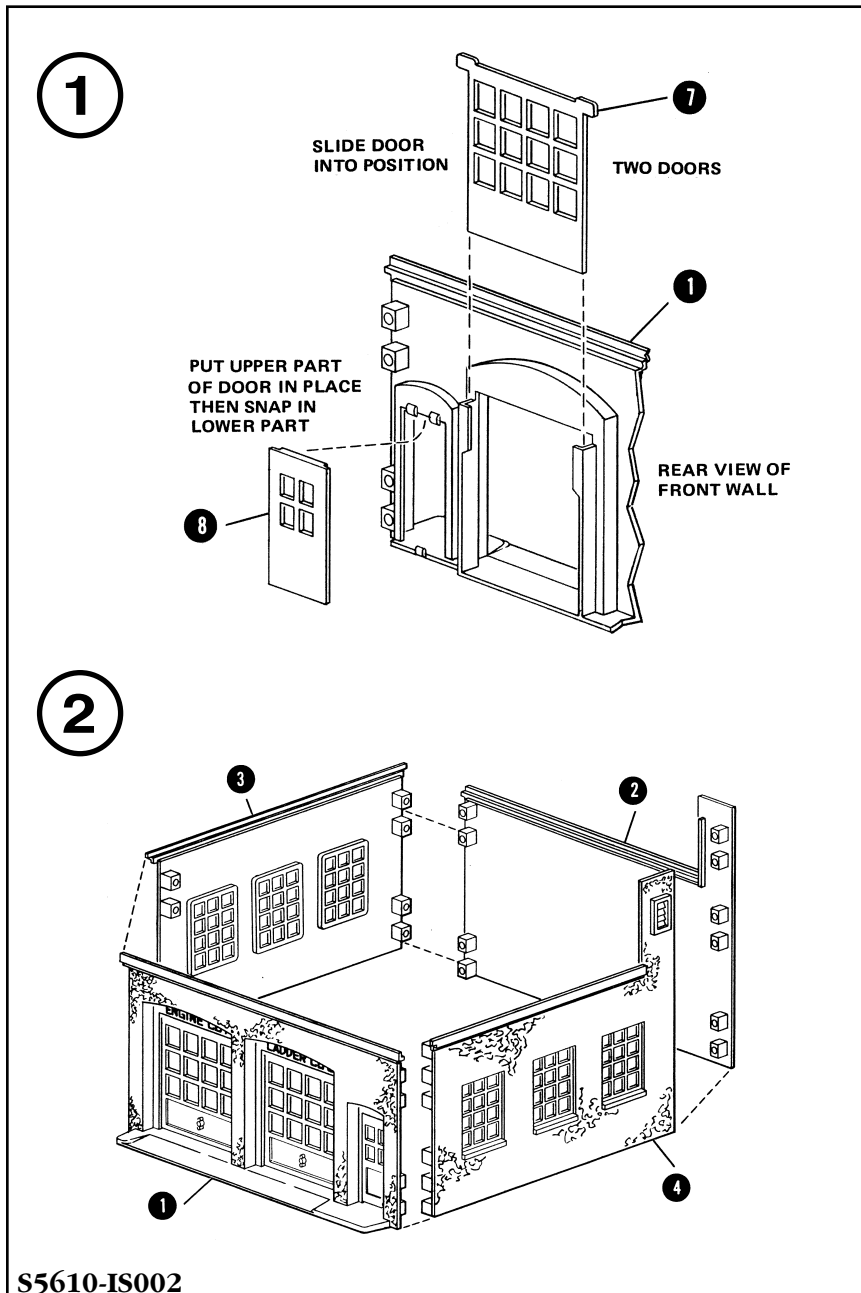
Snap-fit • No glue necessary • Styled after authentic American prototype • Ages 14+

### IMPORTANT - BEFORE STARTING:

- IF DECALS OR SIGNS ARE INCLUDED, APPLY PRIOR TO ASSEMBLY.
- CHECK CONTENTS AGAINST LIST OF PARTS.
- CAREFULLY TRIM ANY EXCESS PLASTIC FROM THE PARTS BEFORE ASSEMBLING.
- ALTHOUGH NO GLUE IS NECESSARY, YOU MAY ALSO WISH TO ADD A FEW DROPS OF STYRENE CEMENT TO JOINTS FOR PERMANENT CONSTRUCTION.

③ = PART NUMBER

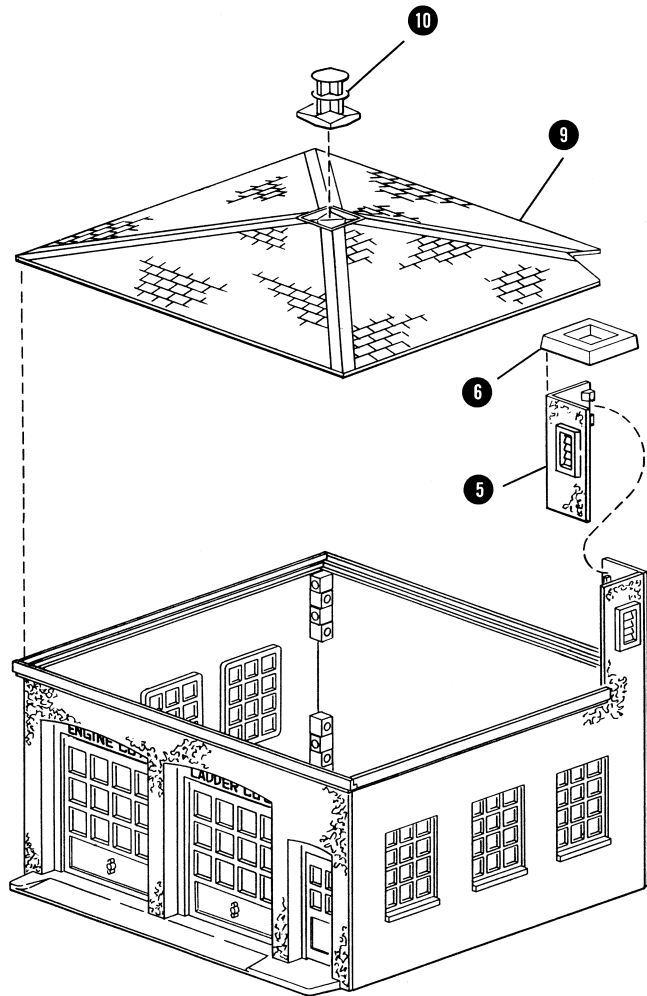
③ = ASSEMBLY SEQUENCE NUMBER



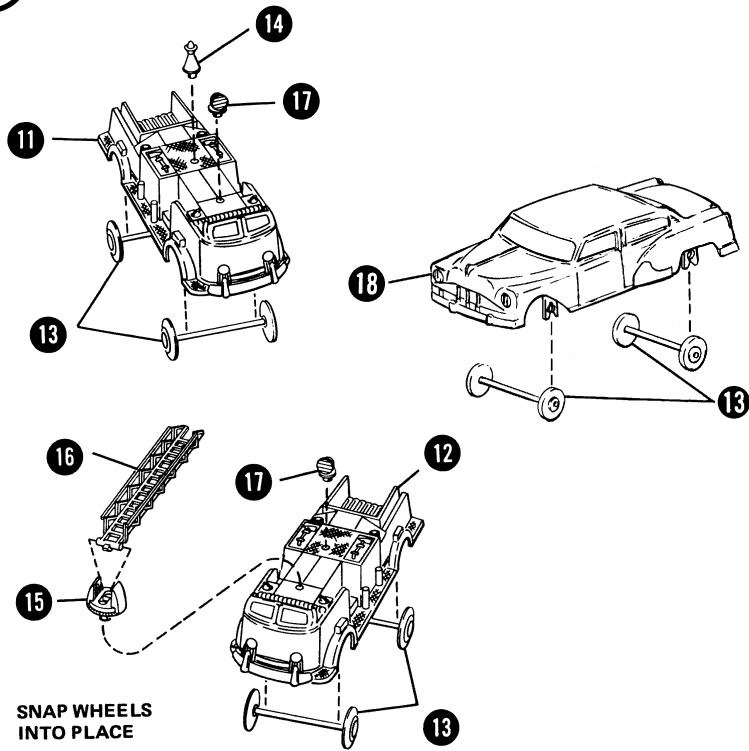
### LIST OF PARTS

PART NO.	PART NAME	QTY
1	FRONT WALL	1
2	REAR WALL	1
3	SIDE WALL	1
4	SIDE WALL (Chimney)	1
5	CHIMNEY SIDE	1
6	CHIMNEY CAP	1
7	FRONT DOORS ( Large )	2
8	FRONT DOOR ( Small )	1
9	ROOF	2
10	ROOF ALARM	1
11	PUMPER TRUCK	1
12	LADDER TRUCK	1
13	WHEEL SET with AXEL	6
14	WATER CANNON	1
15	LADDER SUPPORT	1
16	LADDER	1
17	SPOTLIGHTS	2
18	CAR	1

3



4



SNAP WHEELS INTO PLACE

BACHMANN INDUSTRIES, INC.  
 1400 EAST ERIE AVENUE  
 PHILADELPHIA, PA 19124 USA  
[www.bachmanntrains.com](http://www.bachmanntrains.com)



PRINTED IN CHINA