

# O SCALE PLASTICVILLE U.S.A.®

## POLICE STATION with CAR - Item No. 45609

Snap-fit • No glue necessary • Styled after authentic American prototype • Ages 14+

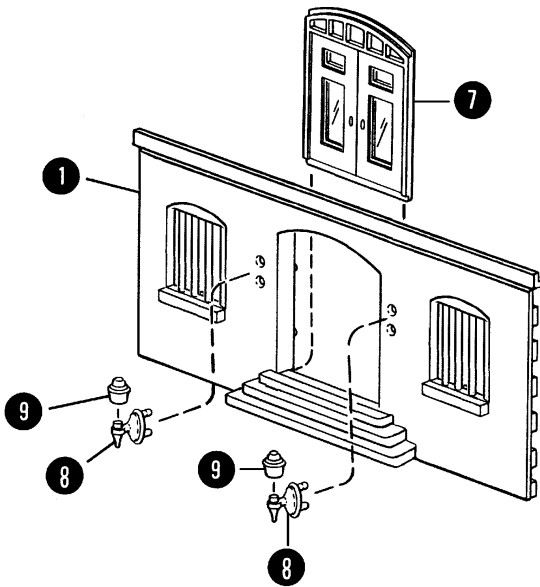
### IMPORTANT - BEFORE STARTING:

- IF DECALS OR SIGNS ARE INCLUDED, APPLY PRIOR TO ASSEMBLY.
- CHECK CONTENTS AGAINST LIST OF PARTS.
- CAREFULLY TRIM ANY EXCESS PLASTIC FROM THE PARTS BEFORE ASSEMBLING.
- ALTHOUGH NO GLUE IS NECESSARY, YOU MAY ALSO WISH TO ADD A FEW DROPS OF STYRENE CEMENT TO JOINTS FOR PERMANENT CONSTRUCTION.

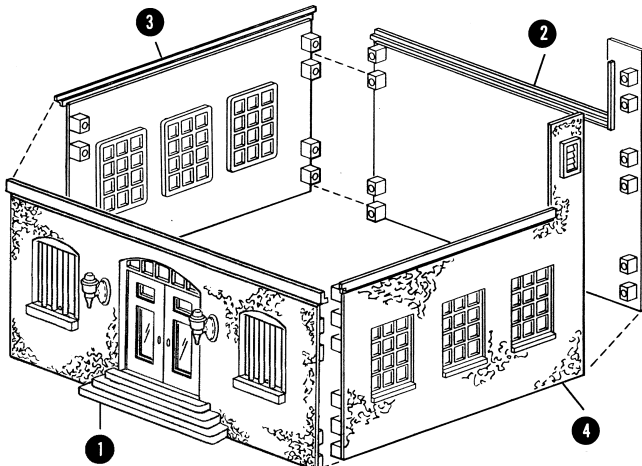
③ = PART NUMBER

③ = ASSEMBLY SEQUENCE NUMBER

1



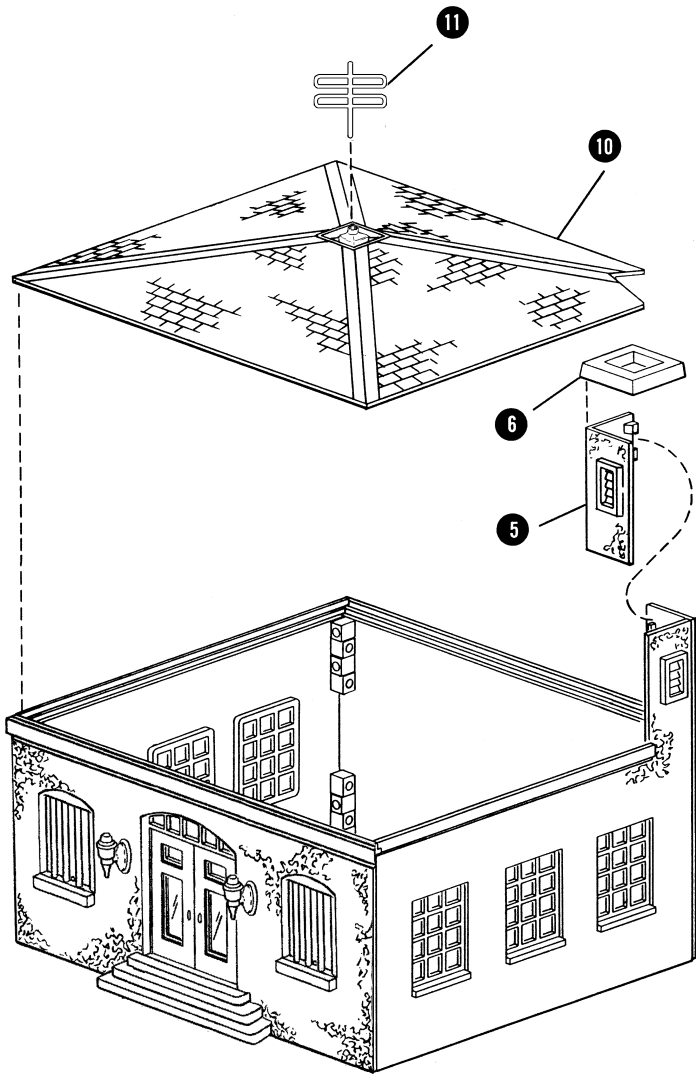
2



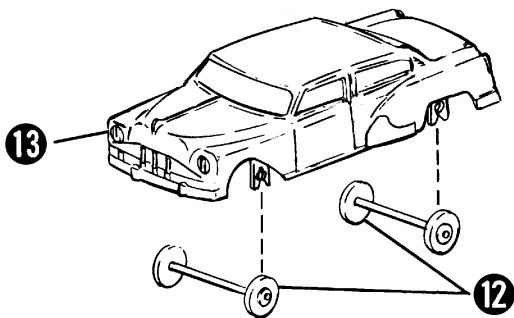
### LIST OF PARTS

PART NO.	PART NAME	QTY
1	FRONT WALL	1
2	REAR WALL	1
3	SIDE WALL	1
4	SIDE WALL (Chimney)	1
5	CHIMNEY SIDE	1
6	CHIMNEY CAP	1
7	DOORS	1
8	LAMP BASES	2
9	LAMP LIGHTS	2
10	ROOF	1
11	ANTENNA	1
12	WHEEL SET with AXLE	2
13	CAR	1

3



4



BACHMANN INDUSTRIES, INC.  
1400 EAST ERIE AVENUE  
PHILADELPHIA, PA 19124 USA  
[www.bachmanntrains.com](http://www.bachmanntrains.com)



PRINTED IN CHINA