

BACHMANN HD

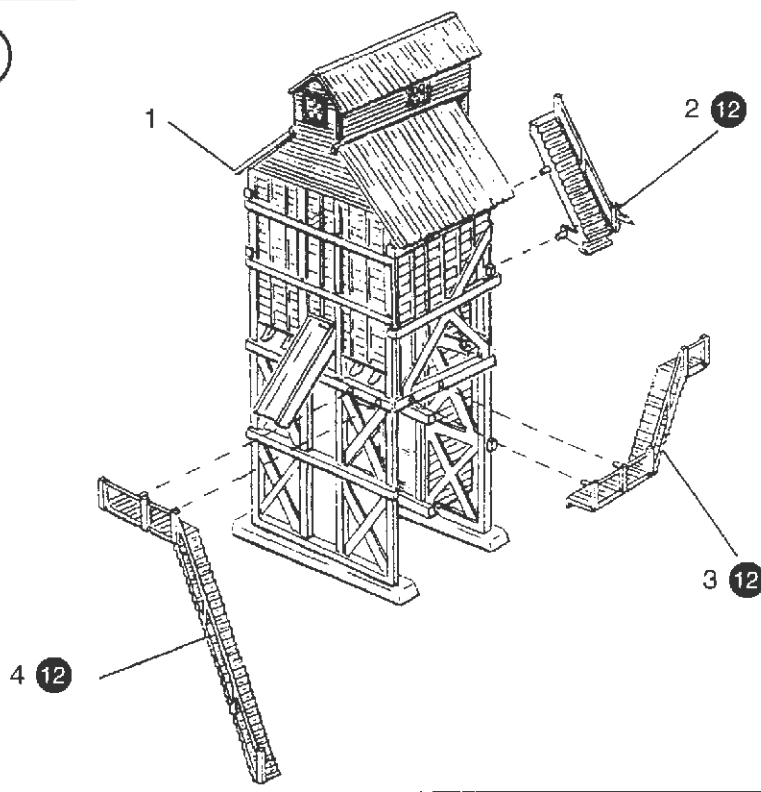
COALING STATION

- Snap-Fit
- No glue necessary
- Styled after authentic American prototype
- Age 8 to adult
- Track not included



PLASTICVILLE®
UNASSEMBLED BUILDING KITS

4



LIST OF PARTS

| PART NO. | PART NAME | QTY | |
|----------|---------------|-----|---|
| 1 | DOOR | 1 | |
| 2 | INSIDE WALL B | 1 | |
| 3 | REAR WALL A | 1 | } ASSEMBLE C TO C D TO D E TO E F TO F |
| 4 | FRONT WALL | 1 | |
| 5 | SIDE | 2 | |
| 6 | CHUTE | 1 | |
| 7 | BOTTOM G | 1 | (ASSEMBLE G TO G) |
| 8 | LARGE ROOF | 1 | |
| 9 | SIDE WALL | 2 | |
| 10 | SMALL ROOF | 1 | |
| 11 | BASE SECTION | 2 | |
| 12 | STAIRS | 3 | |

Write to:
BACHMANN SERVICE
1400 E ERIE AVE.
PHILADELPHIA, PA. 19124

IMPORTANT - BEFORE STARTING

1. If decals or signs are included, apply prior to assembly.
2. Check parts against list of parts.
3. Use photo above as a guide.
4. Carefully trim any excess plastic from the parts before assembling.
5. Although no glue is necessary for completing this kit you may wish to add a few drops of styrene cement to joints for permanent construction.
6. All parts are called out as shown below.

3 = PART NUMBER 3 = ASSEMBLY SEQUENCE NUMBER

BACHMANN HD
PLASTICVILLE®
BUILDING KITS

#45211
COALING STATION

