

HO SCALE
PLASTICVILLE
 U.S.A.®



RAILROAD WORK SHEDS - Item No. 45175

Snap-fit • No glue necessary • Styled after authentic American prototype • Ages 14+

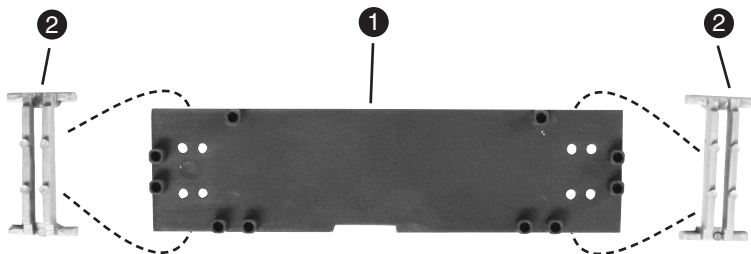
IMPORTANT - BEFORE STARTING:

- IF DECALS OR SIGNS ARE INCLUDED, APPLY PRIOR TO ASSEMBLY.
- CHECK CONTENTS AGAINST LIST OF PARTS.
- CAREFULLY TRIM ANY EXCESS PLASTIC FROM THE PARTS BEFORE ASSEMBLING.
- ALTHOUGH NO GLUE IS NECESSARY, YOU MAY ALSO WISH TO ADD A FEW DROPS OF STYRENE CEMENT TO JOINTS FOR PERMANENT CONSTRUCTION.

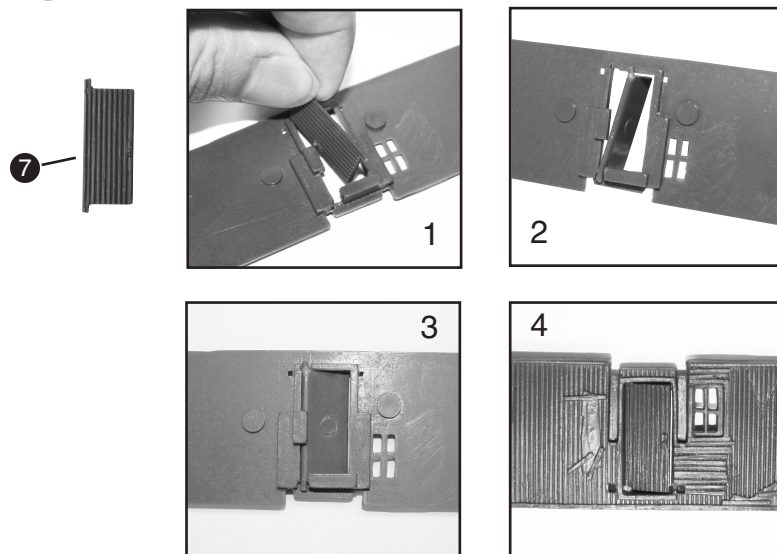
③ = PART NUMBER

③ = ASSEMBLY SEQUENCE NUMBER

①



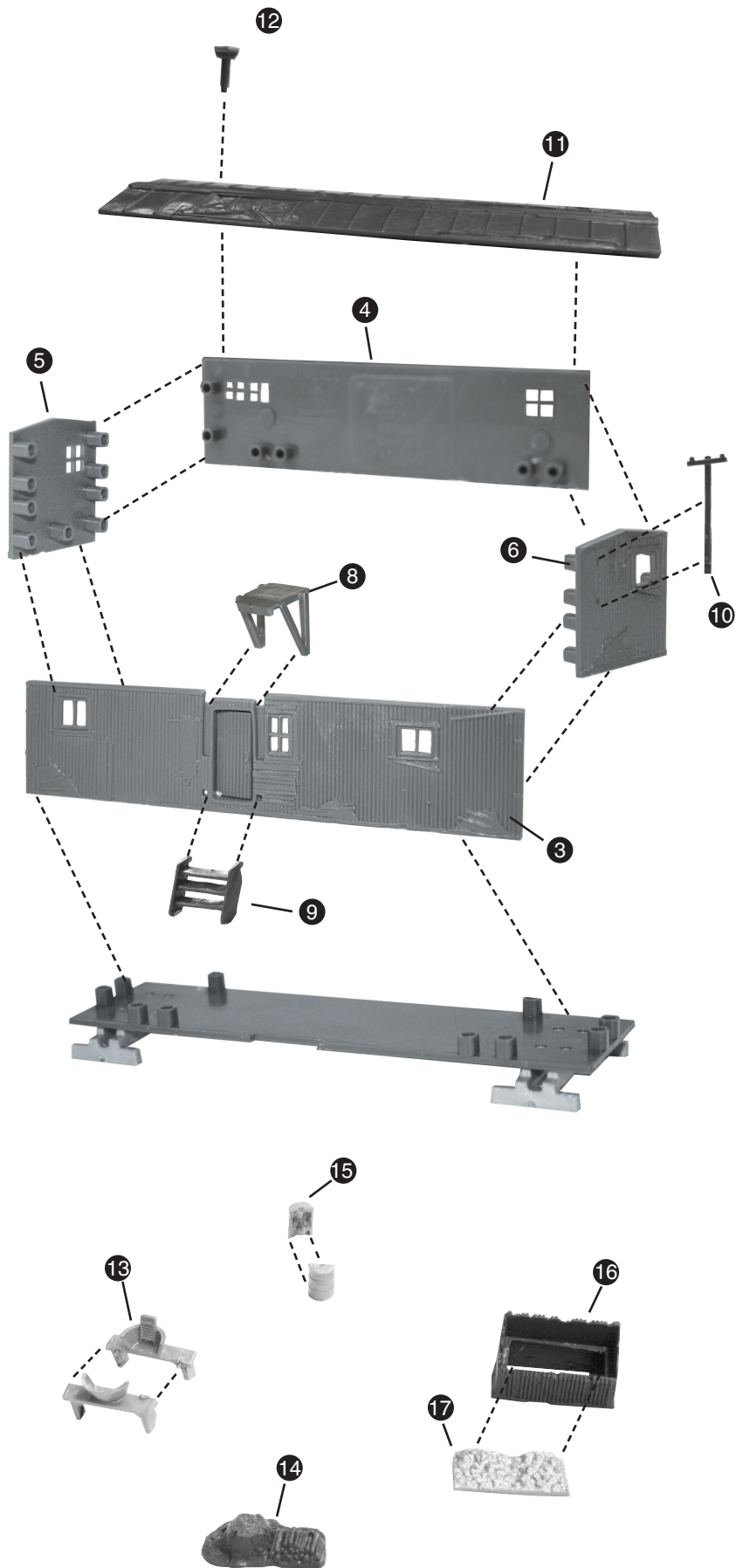
②



LIST OF PARTS FOR EACH SHED

<u>PART NO.</u>	<u>PART NAME</u>	<u>QTY</u>
1	BASE	1
2	BASE SUPPORTS	2
3	FRONT WALL	1
4	REAR WALL	1
5	LEFT SIDE WALL	1
6	RIGHT SIDE WALL	1
7	DOOR	1
8	DOOR AWNING	1
9	FRONT STEPS	1
10	ANTENNA	1
11	ROOF	1
12	CHIMNEY	1
13	WASHBASIN BENCH (2 halves)	1
14	TREE STUMP & WOODPILE	1

3



<u>PART NO.</u>	<u>PART NAME</u>	<u>QTY</u>
15	BARREL (2 halves)	1
16	COAL BIN	1
17	COAL	1

BACHMANN INDUSTRIES, INC.
 1400 EAST ERIE AVENUE
 PHILADELPHIA, PA 19124 USA
www.bachmanntrains.com



PRINTED IN CHINA