



HO SCALE PLASTICVILLE U.S.A.®

RANCH HOUSE - Item No. 45156

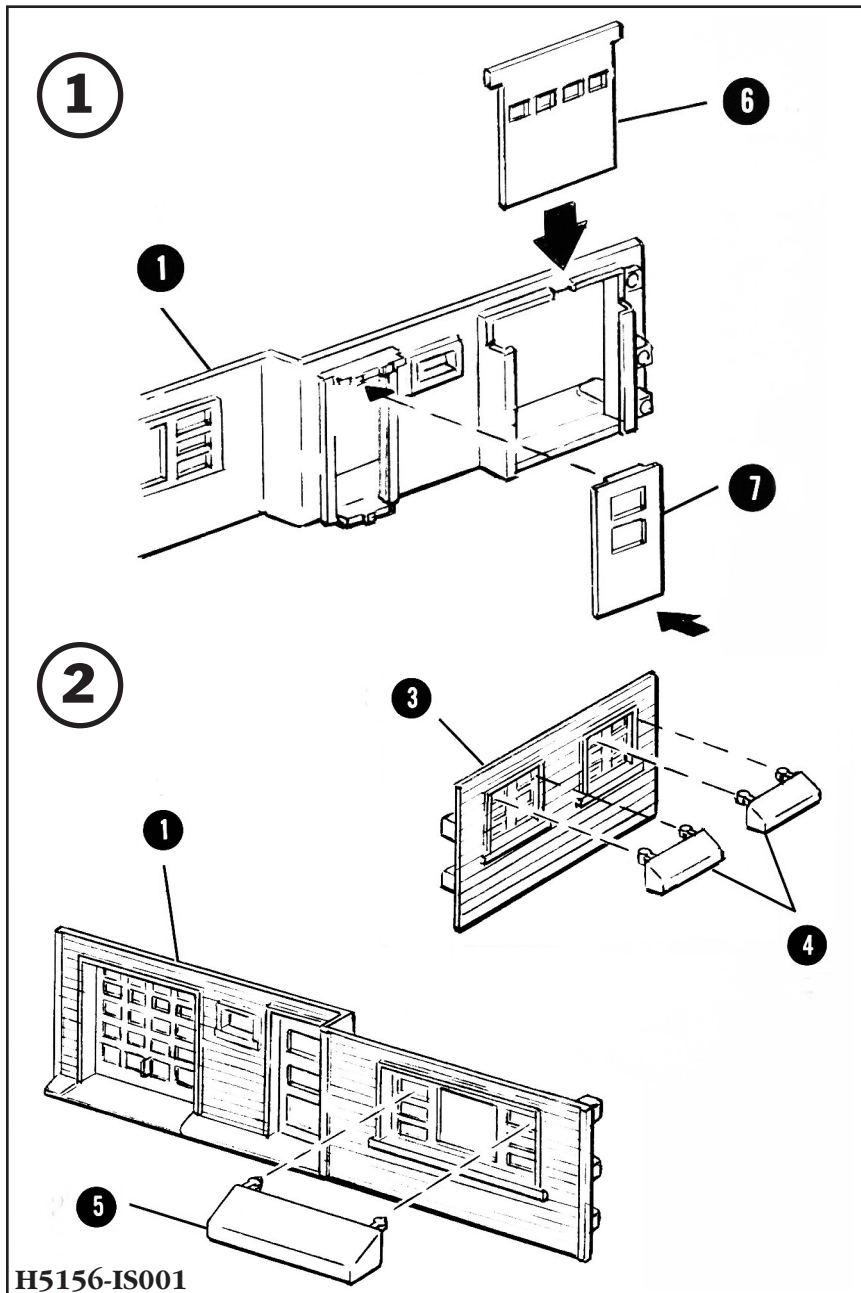
Snap-fit • No glue necessary • Styled after authentic American prototype • Ages 14+

IMPORTANT - BEFORE STARTING:

- IF DECALS OR SIGNS ARE INCLUDED, APPLY PRIOR TO ASSEMBLY.
- CHECK CONTENTS AGAINST LIST OF PARTS.
- CAREFULLY TRIM ANY EXCESS PLASTIC FROM THE PARTS BEFORE ASSEMBLING.
- ALTHOUGH NO GLUE IS NECESSARY, YOU MAY ALSO WISH TO ADD A FEW DROPS OF STYRENE CEMENT TO JOINTS FOR PERMANENT CONSTRUCTION.

③ = PART NUMBER

③ = ASSEMBLY SEQUENCE NUMBER

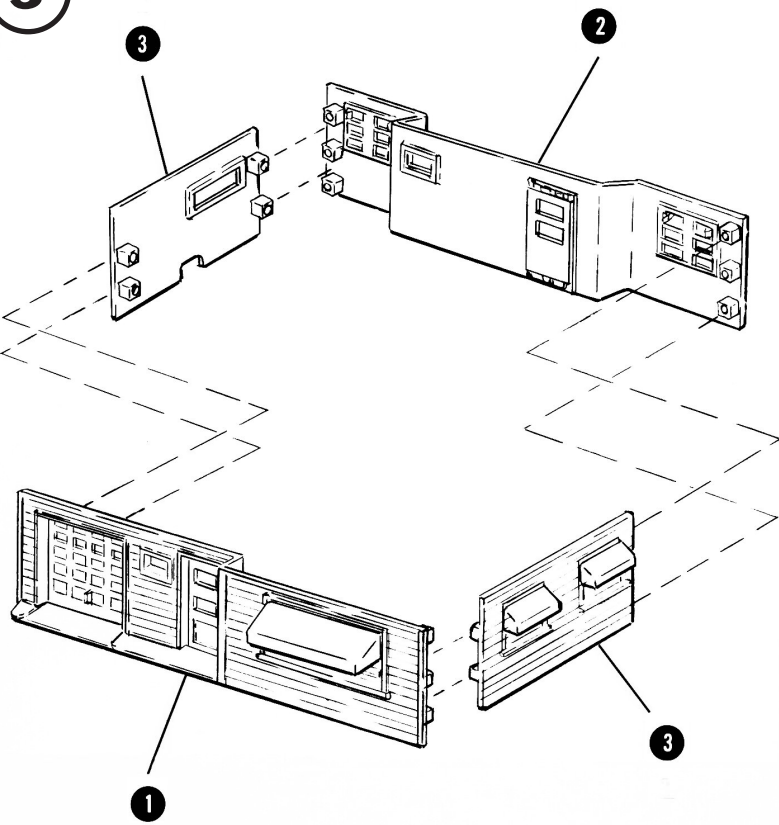


LIST OF PARTS

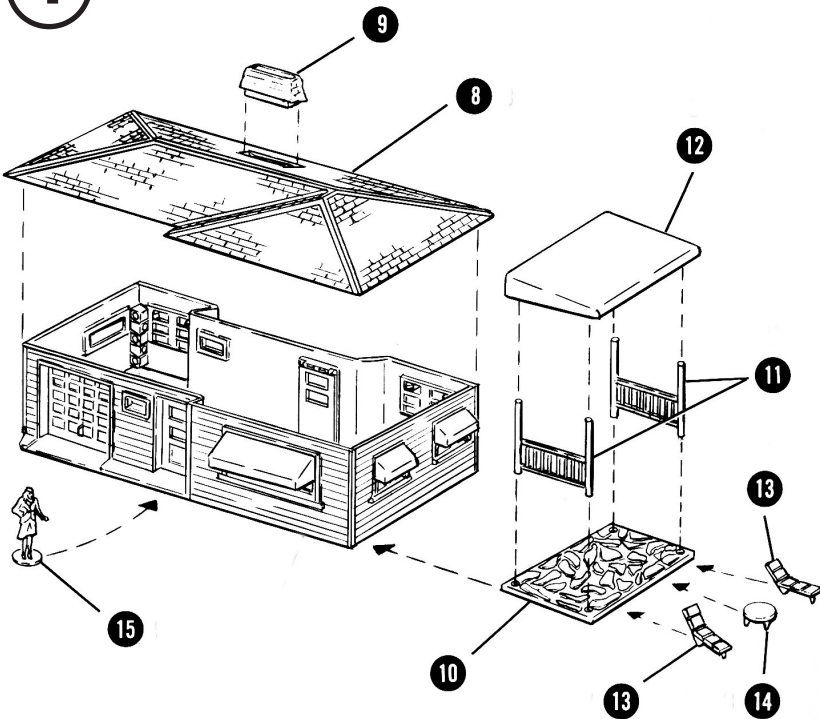
<u>PART NO.</u>	<u>PART NAME</u>	<u>QTY</u>
1	FRONT WALL	1
2	REAR WALL	1
3	SIDE WALLS	2
4	SMALL AWNINGS	4
5	LARGE AWNING	1
6	GARAGE DOOR	1
7	HOUSE DOORS	2
8	ROOF	1
9	CHIMNEY	1
10	PATIO BASE	1
11	PATIO RAILINGS	2
12	PATIO AWNING	1
13	CHAISE LOUNGES	2
14	TABLE	1
15	FIGURE	1

H5156-IS001

3



4



BACHMANN INDUSTRIES, INC.
1400 EAST ERIE AVENUE
PHILADELPHIA, PA 19124 USA
www.bachmanntrains.com



PRINTED IN CHINA