



HO SCALE PLASTICVILLE U.S.A.®

SIGNAL BRIDGE - Item No. 45134

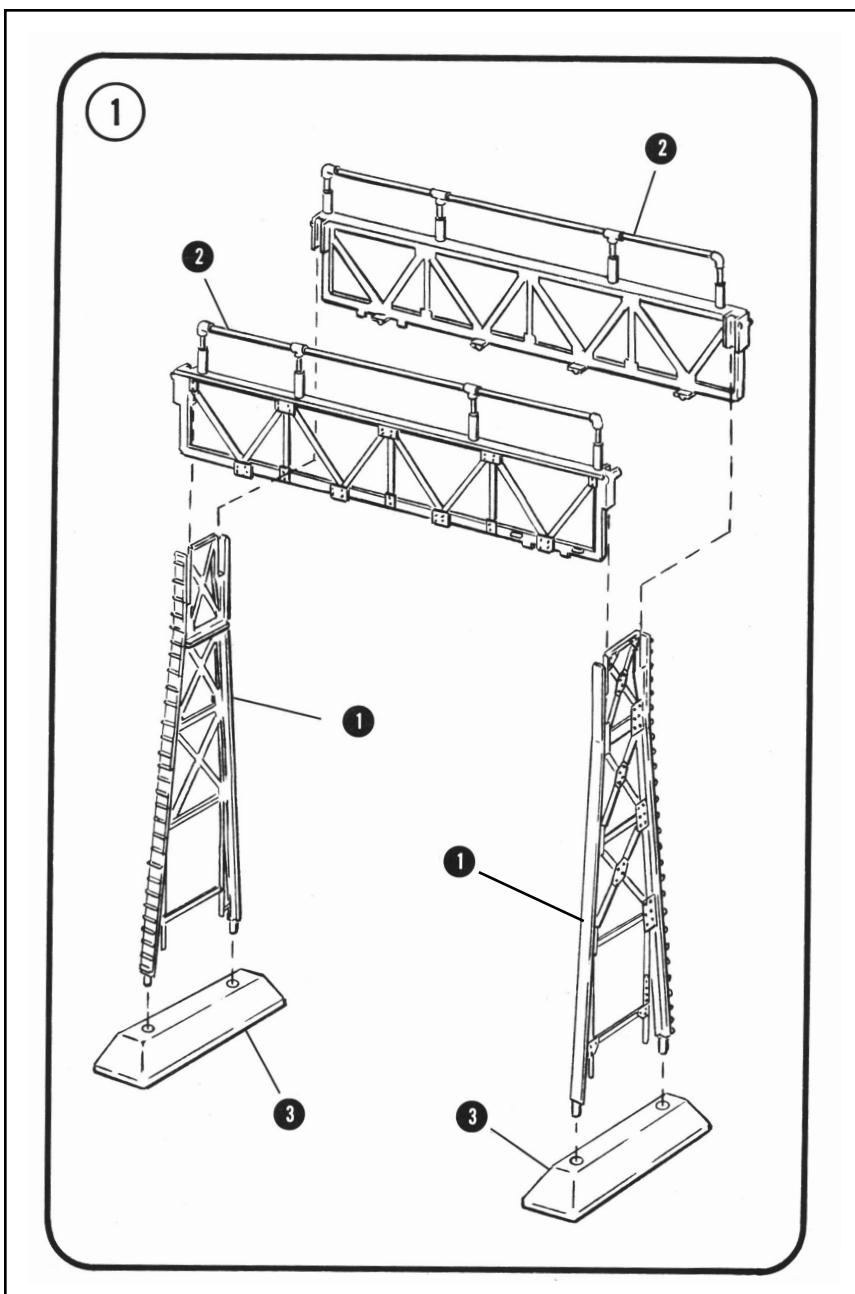
Snap-fit • No glue necessary • Styled after authentic American prototype • Ages 14+

IMPORTANT - BEFORE STARTING:

- IF DECALS OR SIGNS ARE INCLUDED, APPLY PRIOR TO ASSEMBLY.
- CHECK CONTENTS AGAINST LIST OF PARTS.
- CAREFULLY TRIM ANY EXCESS PLASTIC FROM THE PARTS BEFORE ASSEMBLING.
- ALTHOUGH NO GLUE IS NECESSARY, YOU MAY ALSO WISH TO ADD A FEW DROPS OF STYRENE CEMENT TO JOINTS FOR PERMANENT CONSTRUCTION.

③ = PART NUMBER

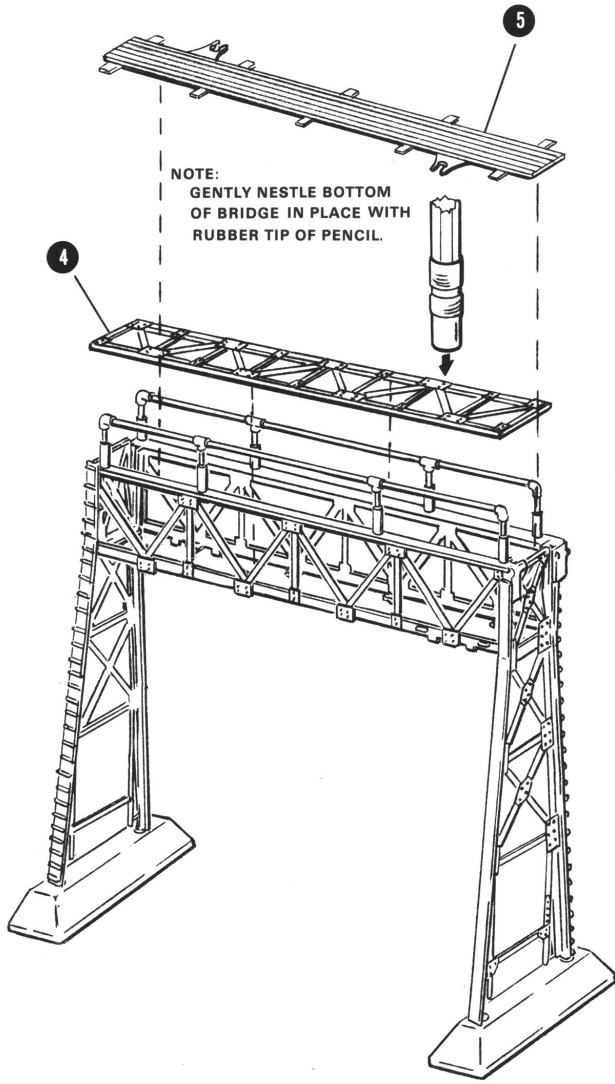
③ = ASSEMBLY SEQUENCE NUMBER



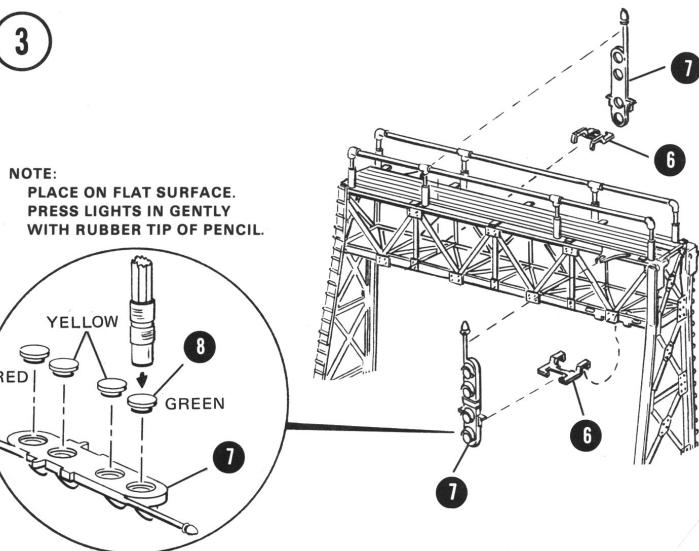
LIST OF PARTS

PART NO.	PART NAME	QTY
1	BRIDGE SIDES	2
2	BRIDGE RAILINGS	2
3	BASE	2
4	BOTTOM STRUCTURE	1
5	WALKWAY	1
6	SWING BRACKET	2
7	SIGNAL LIGHT	2
8	LENSES	8

2



3



BACHMANN INDUSTRIES, INC.
1400 EAST ERIE AVENUE
PHILADELPHIA, PA 19124 USA
www.bachmanntrains.com



PRINTED IN CHINA