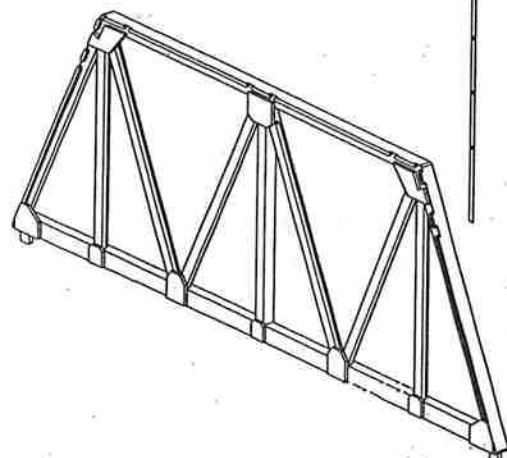


HO TRUSS BRIDGE

Designed for connection to Bachmann's *E-ZTrack*® System. For connection to other track systems, the end track clips may be cut off as desired. Operates in DC or DCC mode. In DC, increasing speed will increase light's brightness. In DCC, light will blink with constant brightness.



88026-00F01

H4473#MT004X2

80030#MT009X2
H4473#MT02X2
H4473#MT01X2
H4473#MT003X2

88026-00K01
H4473+PCB01
88026-00H01
88026-00G01X2

