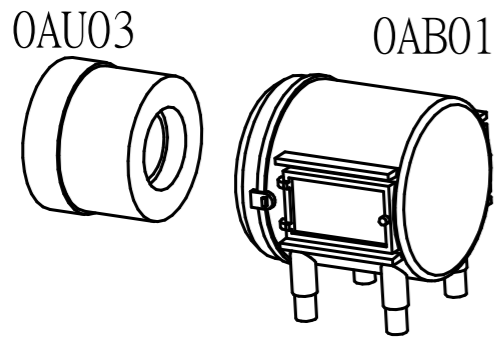
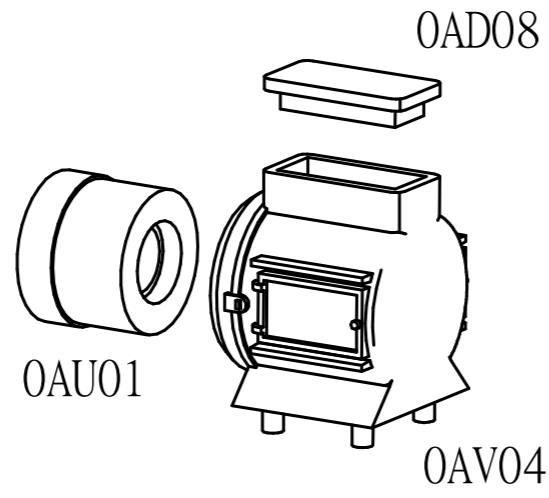


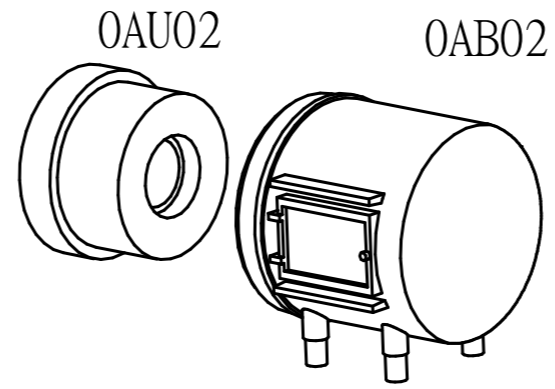
#28696 #28657  
#28671 #28670



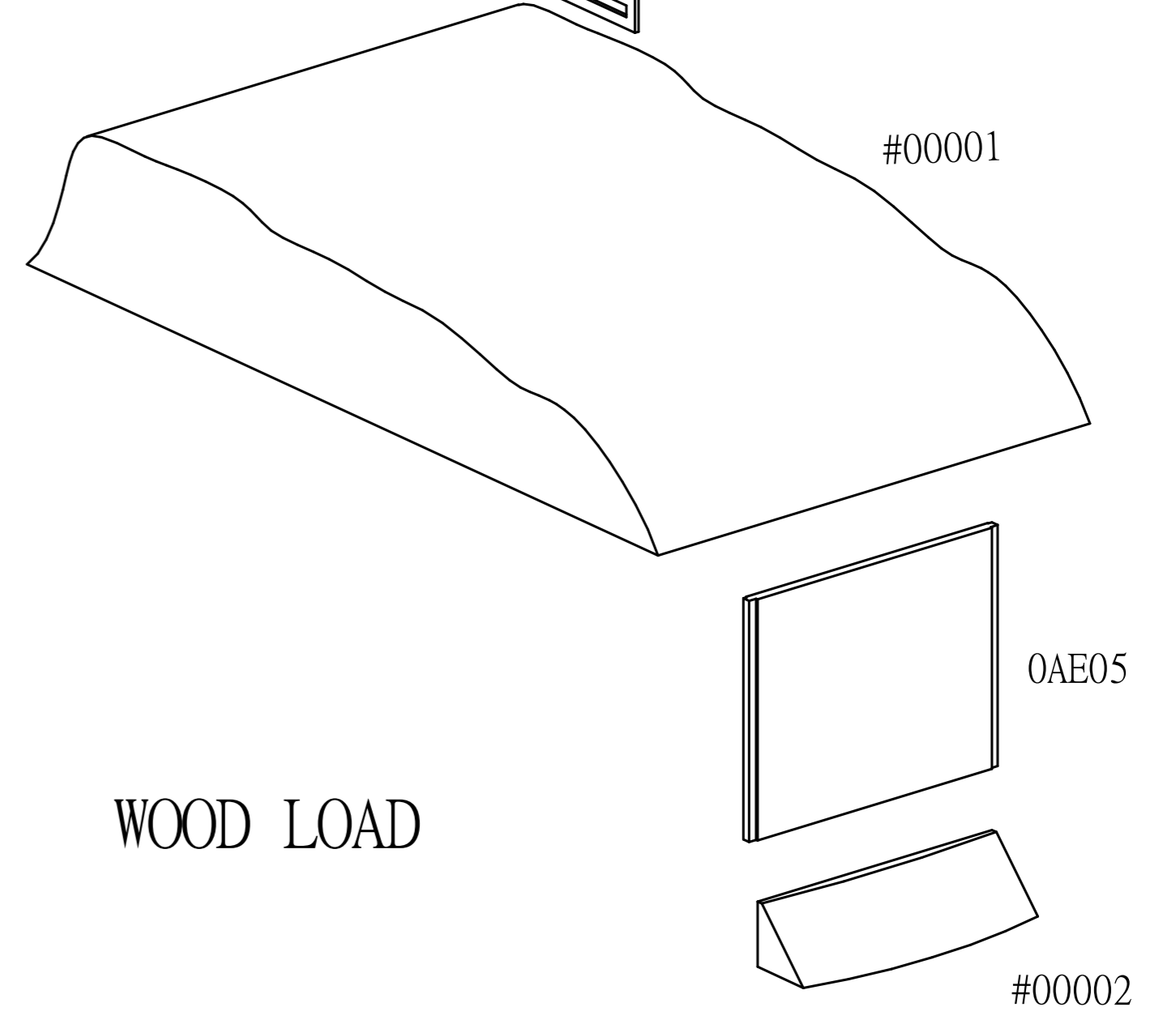
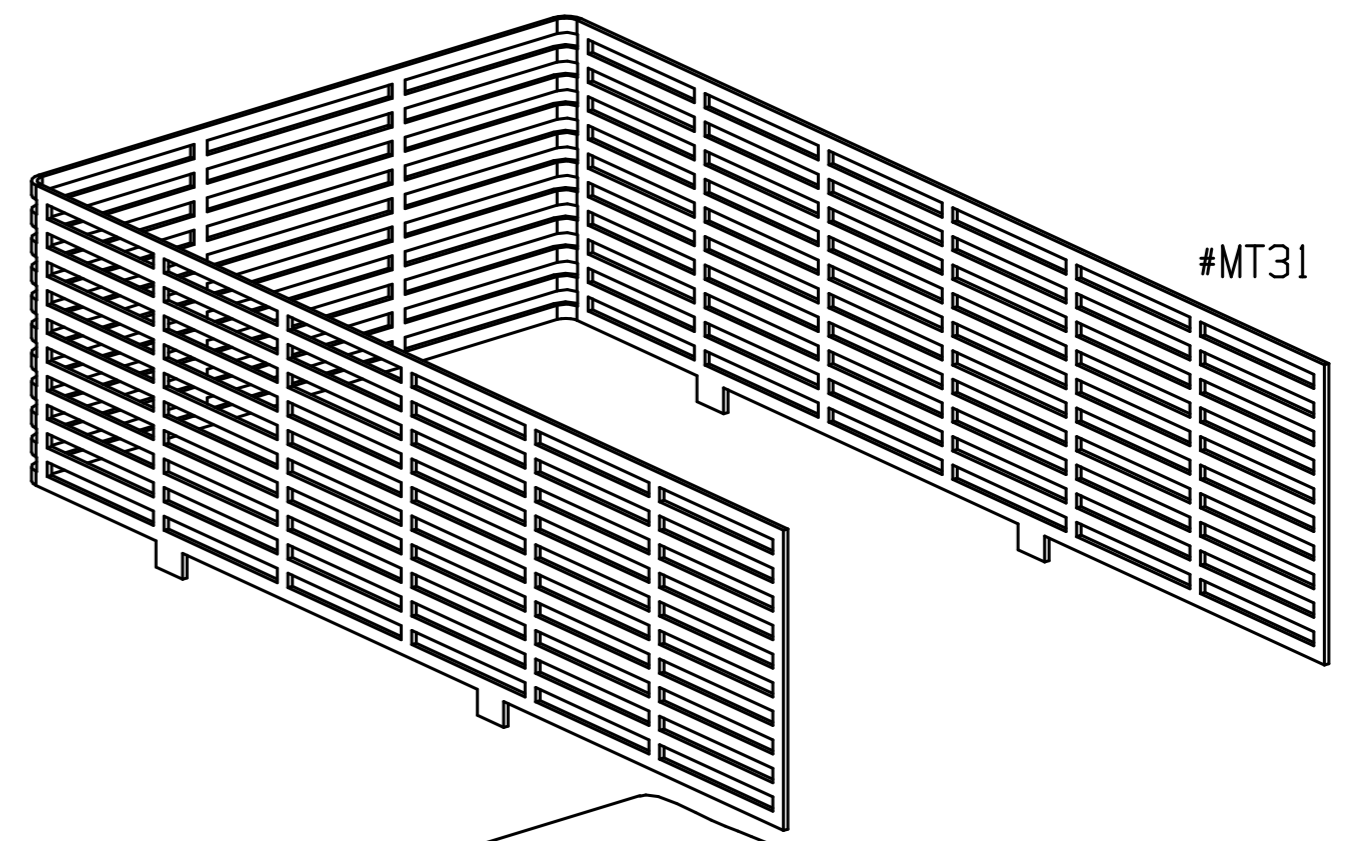
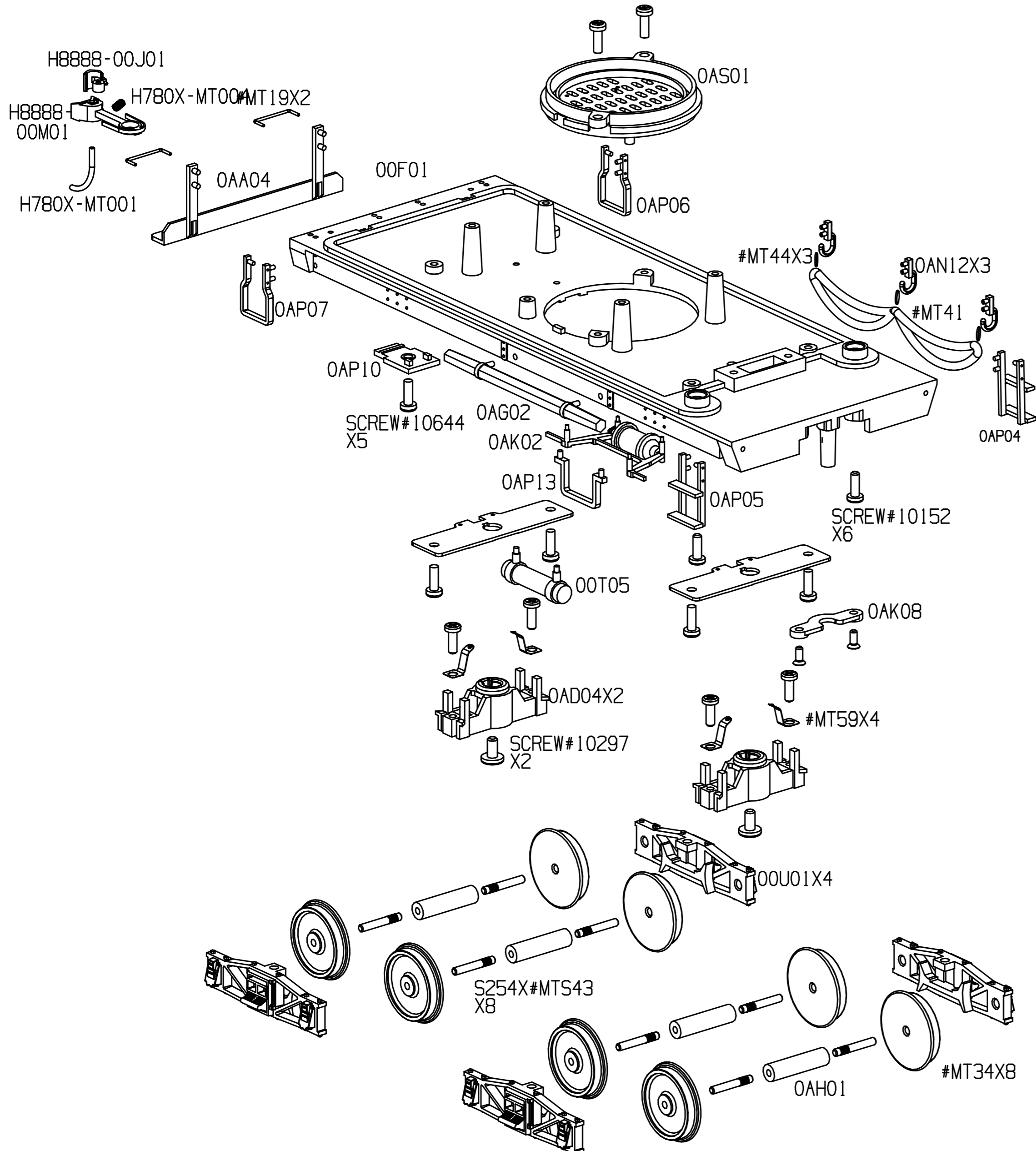
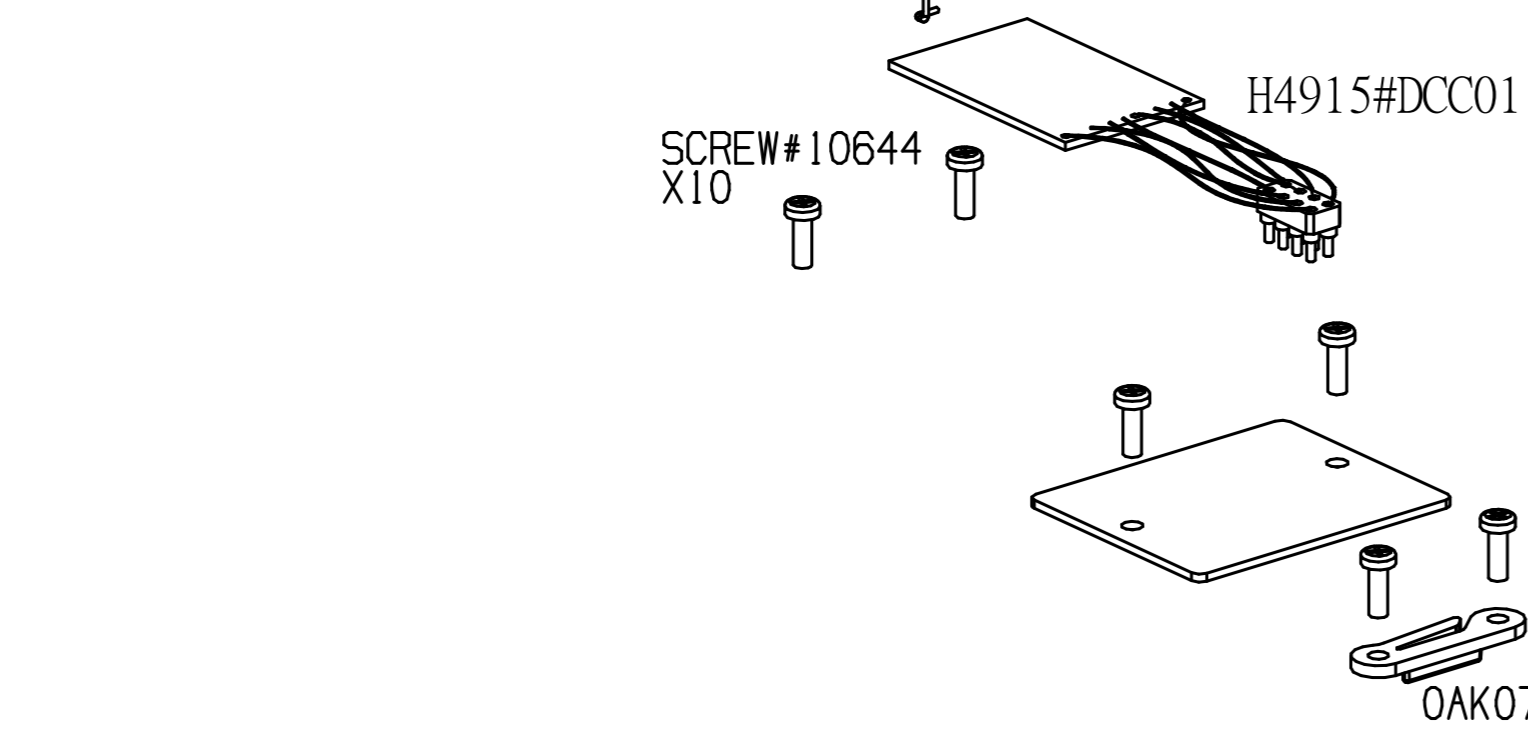
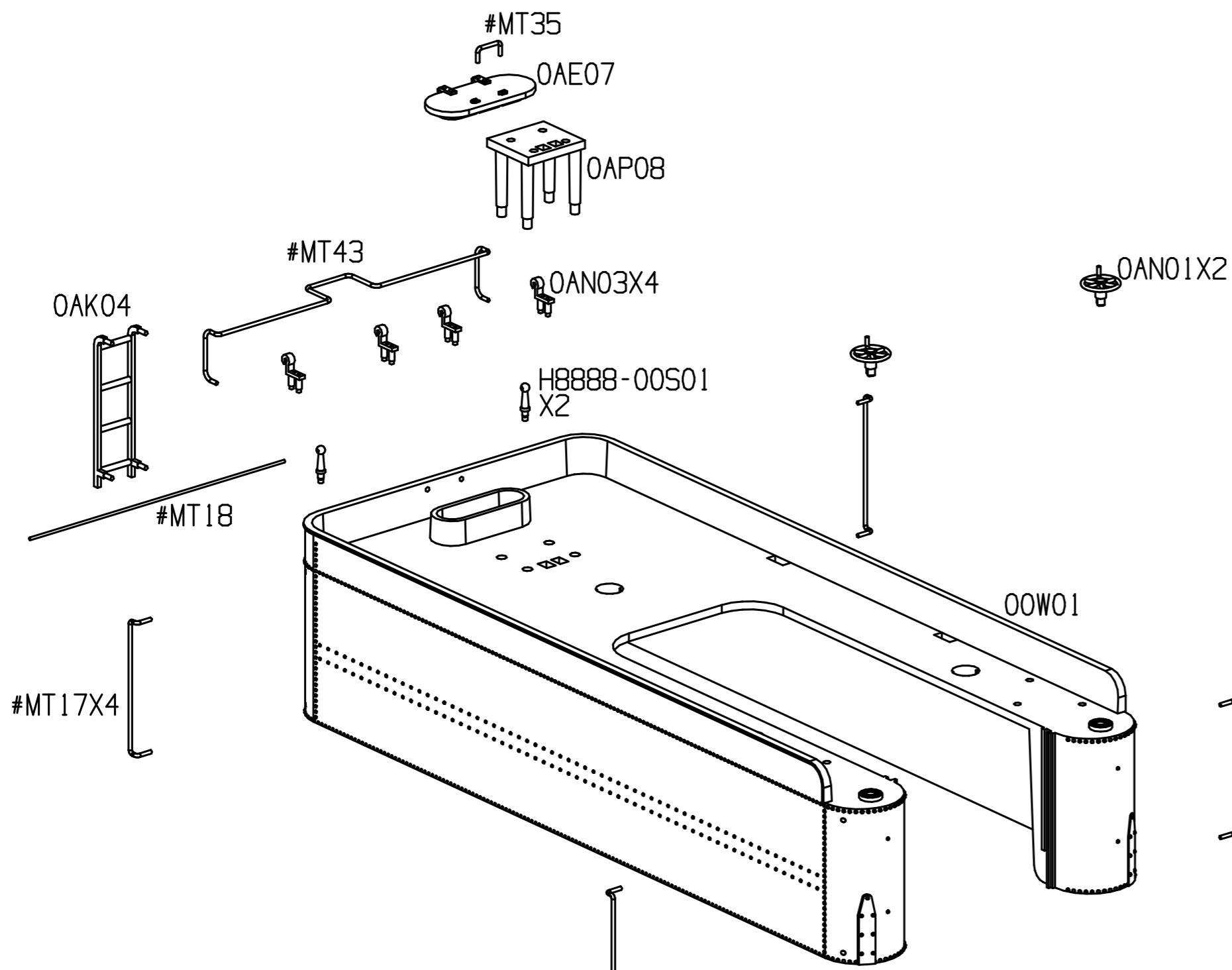
#28697



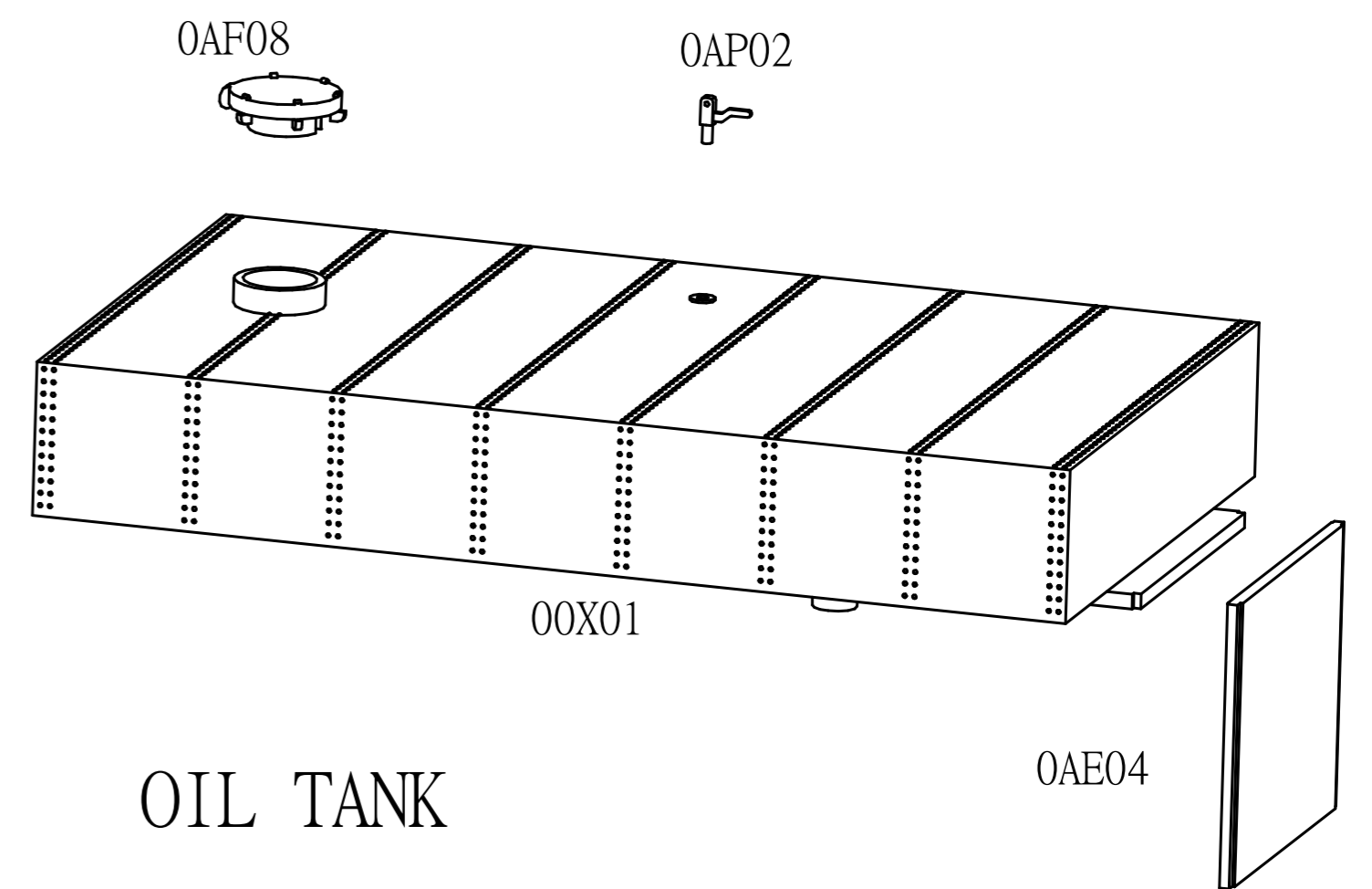
#28698



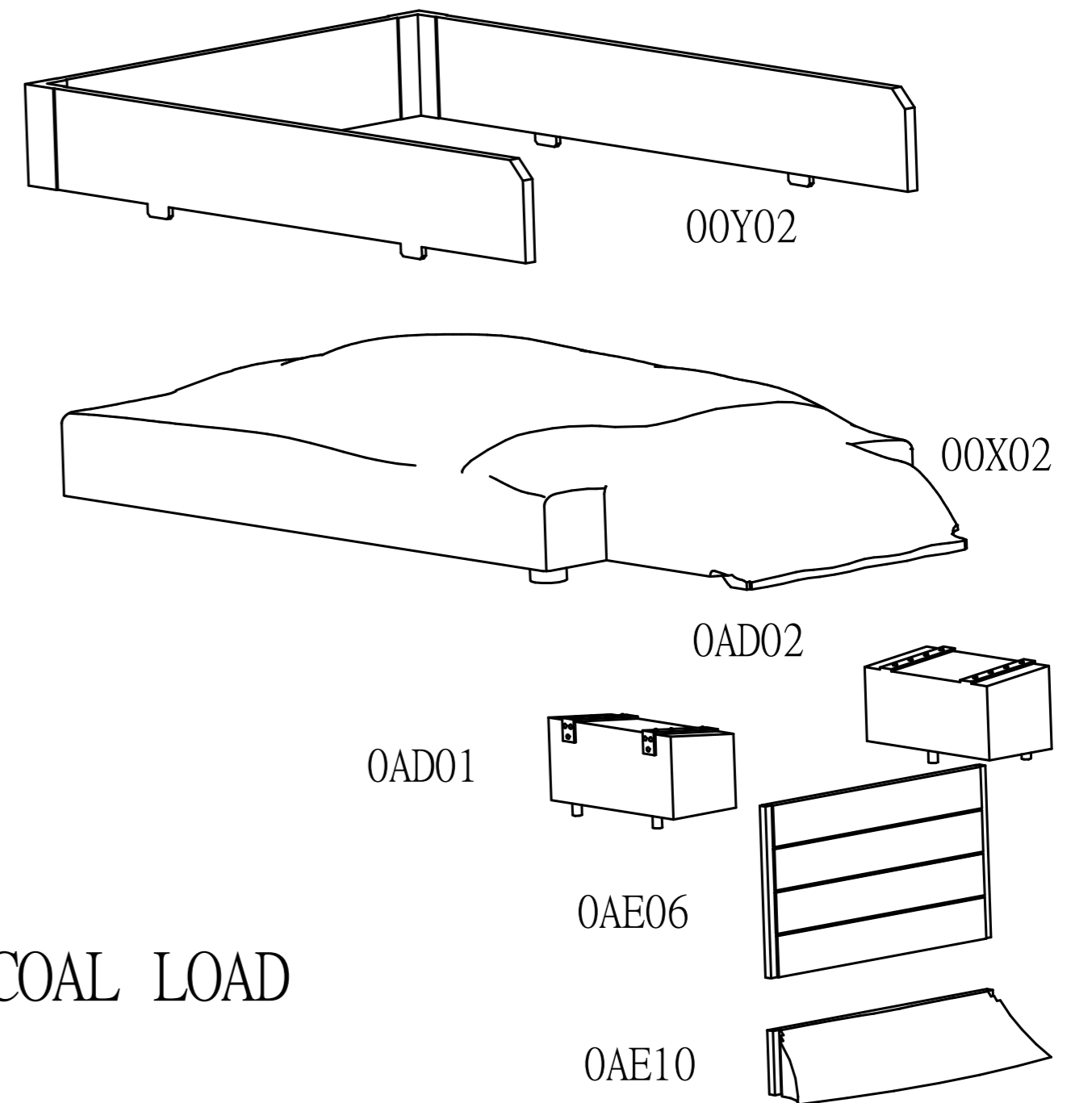
TENDER ASSEMBLE



WOOD LOAD



OIL TANK



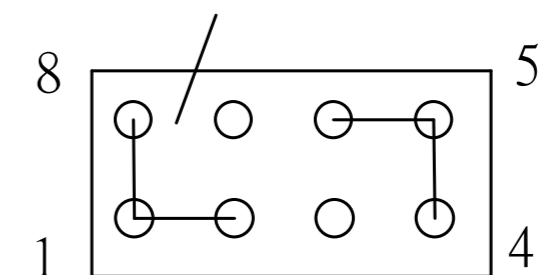
COAL LOAD

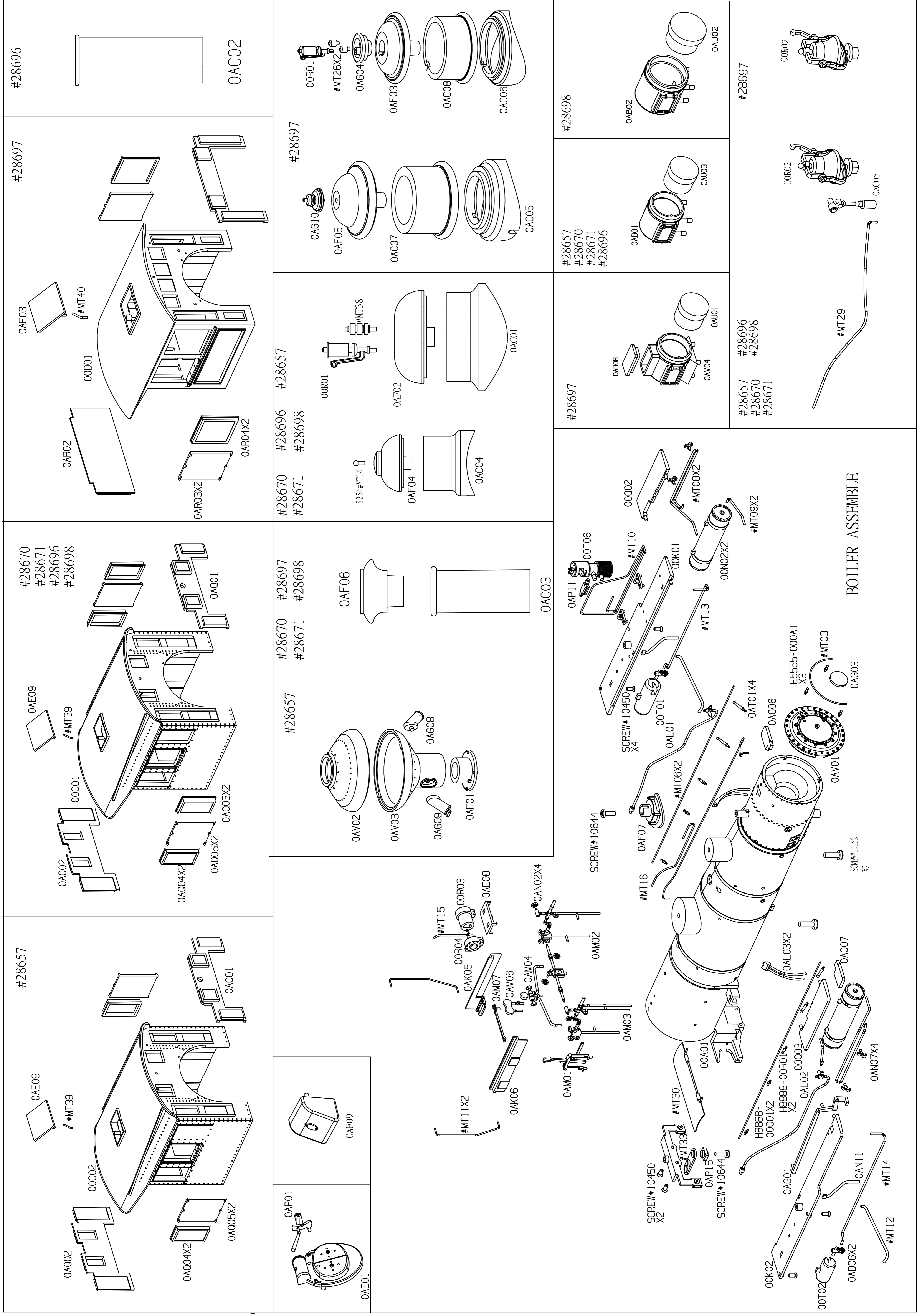
For dummy plug installation:

- a) Remove the decoder
- b) Install the dummy

plug by tool (see below diagram).

CORRECT PLACEMENT OF DUMMY PLUG





BOILER ASSEMBLY