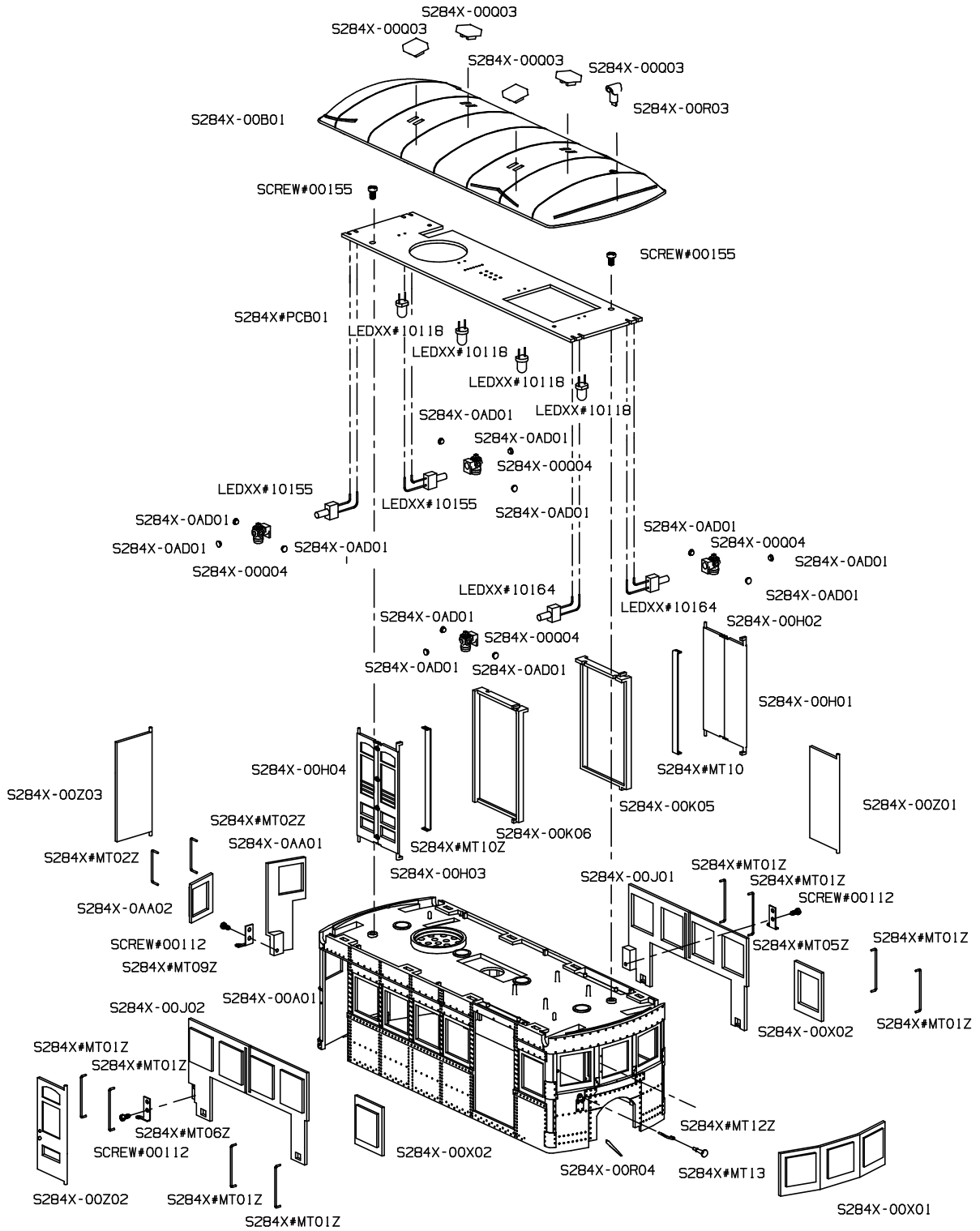


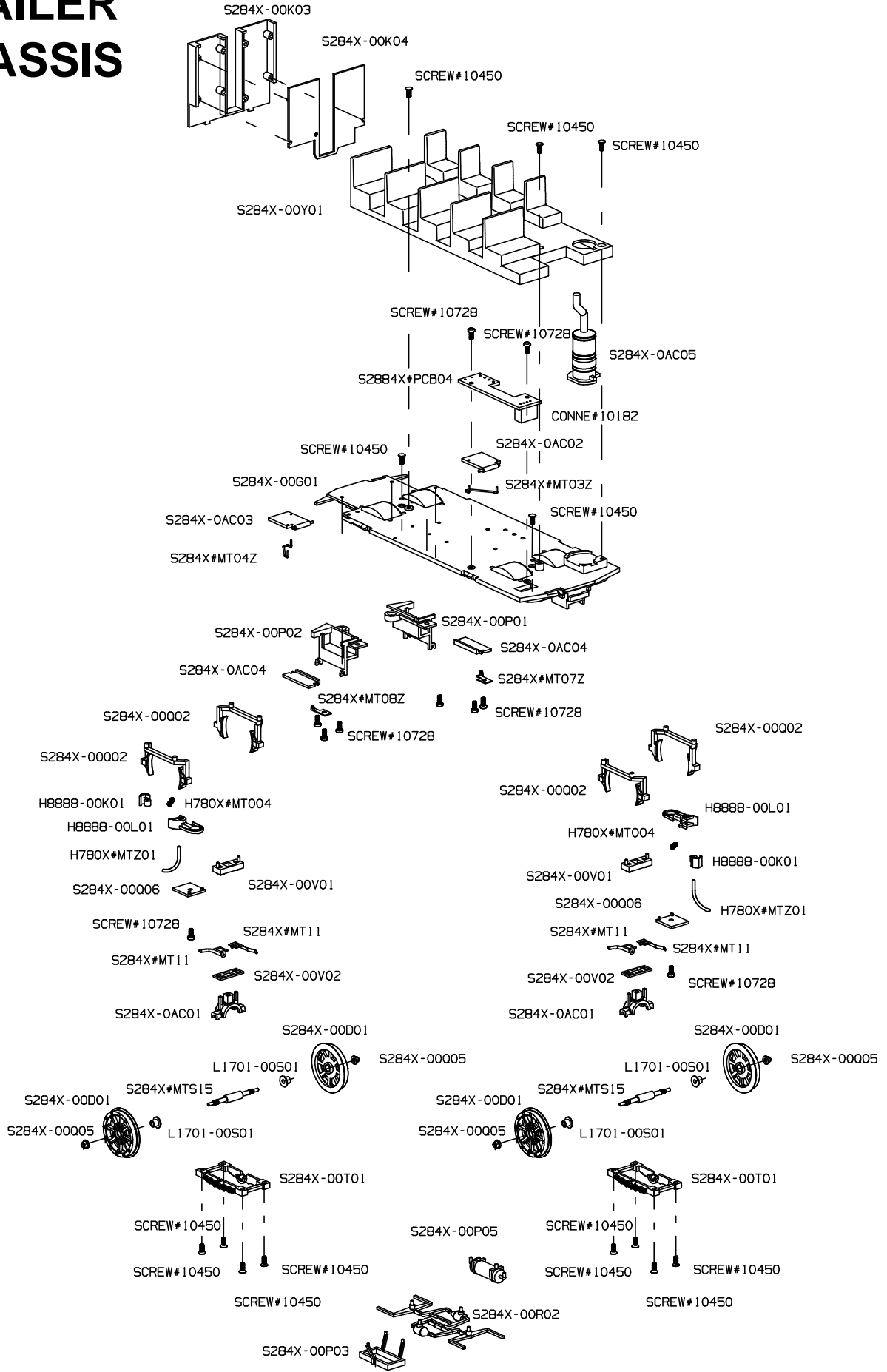
# RAIL BUS BODY





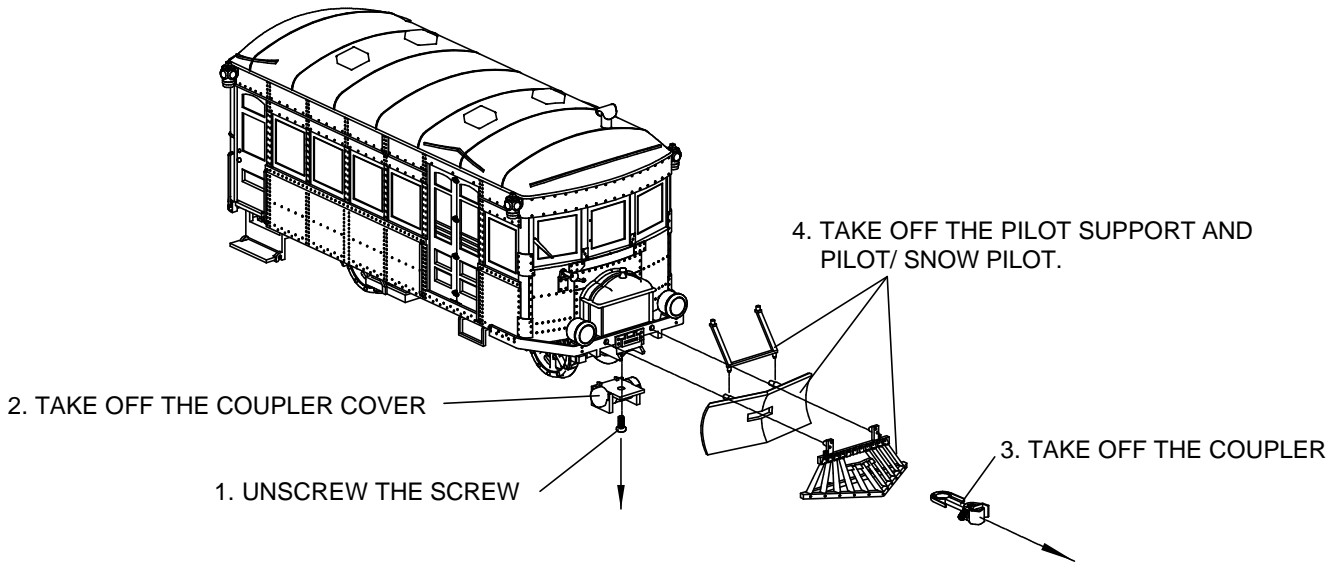


# TRAILER CHASSIS



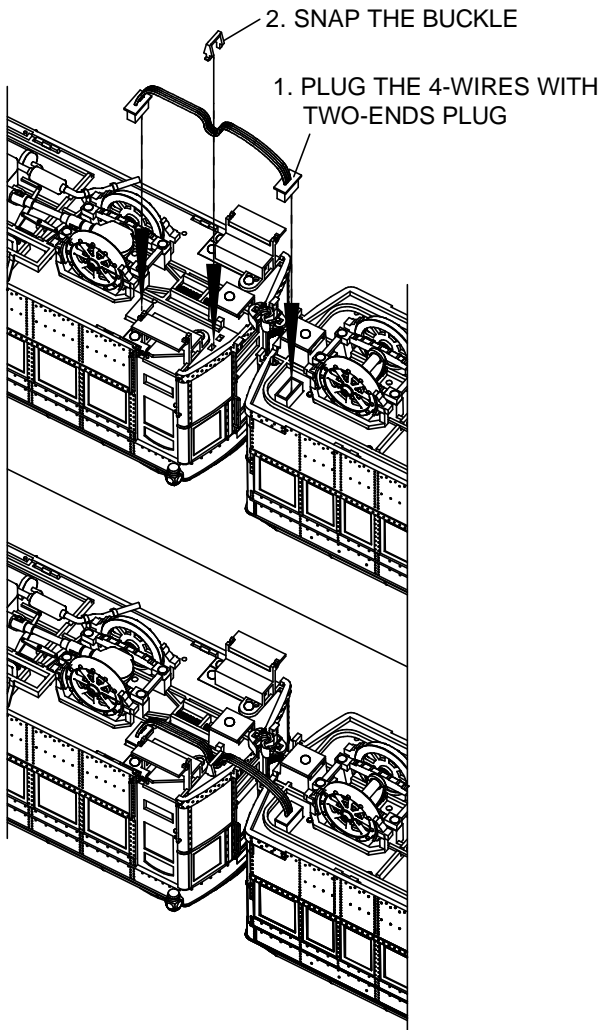
**TO CHANGE THE PILOT/ SNOW PILOT:**

1. UNSCREW THE SCREW UNDERNEATH THE FRONT OF RAILBUS CHASSIS BOTTOM AS BELOW.
2. TAKE OFF THE COUPLER COVER.
3. TAKE OFF THE COUPLER THROUGH THE HOLE ON PILOT/ SNOW PILOT.
4. TAKE OFF THE PILOT SUPPORT AND PILOT/ SNOW PILOT.



**TO CONNECT THE RAIL BUS AND TRAILER:**

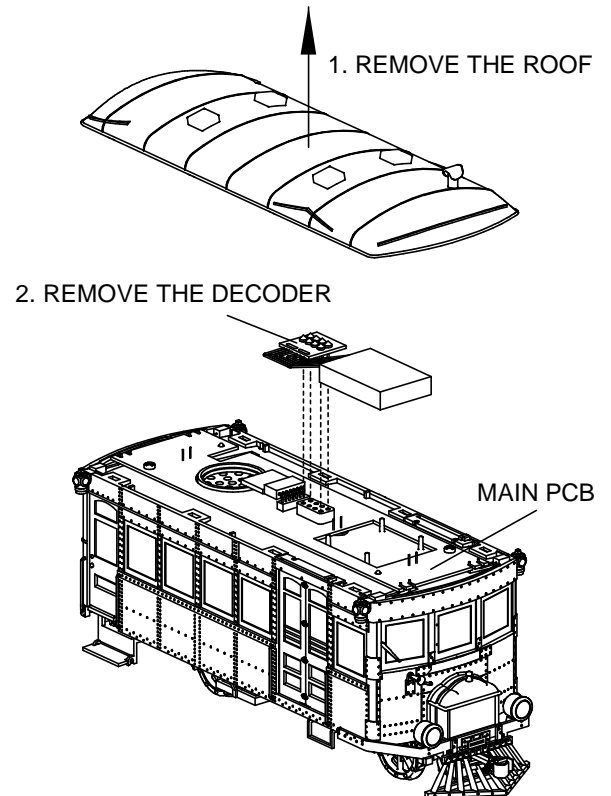
1. PLUG THE 4-WIRES WITH TWO-ENDS PLUG INTO THE SOCKETS ON THE CHASSIS BOTTOM OF RAIL BUS AND TRAILER.
2. SNAP THE BUCKLE INTO THE CHASSIS BOTTOM OF RAIL BUS TO HOLD THE WIRES.



**FINISH DIAGRAM**

**TO CHANGE THE DECODER:**

1. REMOVE THE ROOF OF RAIL BUS
2. REMOVE THE DECODER



**FOR DUMMY PLUG INSTALLATION:**

1. REMOVE THE DECODER
2. INSTALL THE DUMMY PLUG BY TOOL AS BELOW.

