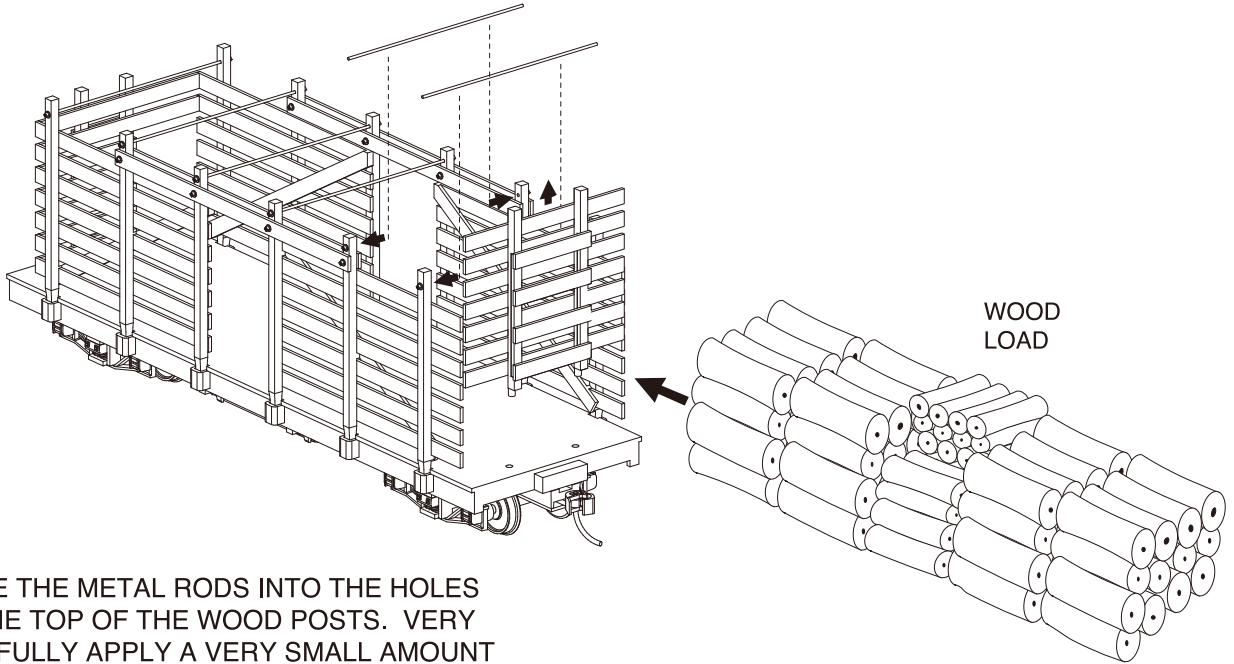


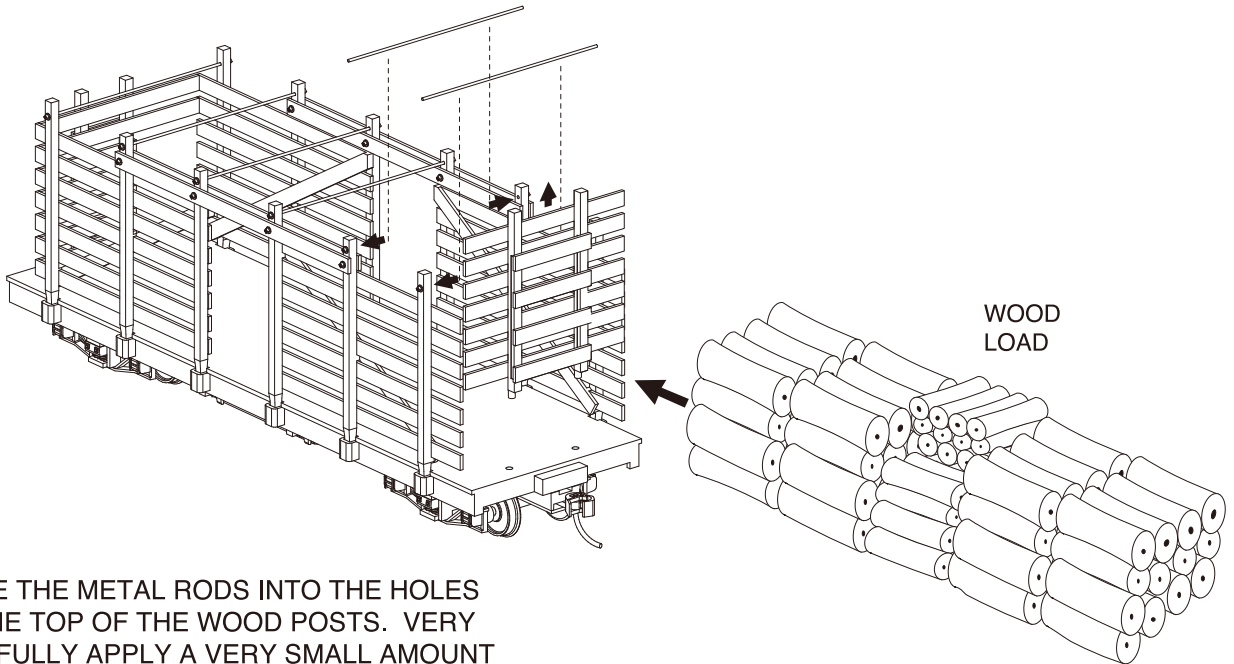
PULPWOOD CAR ROD ASSEMBLY



PLACE THE METAL RODS INTO THE HOLES ON THE TOP OF THE WOOD POSTS. VERY CAREFULLY APPLY A VERY SMALL AMOUNT OF LIQUID GLUE TO THE ENDS OF THE RODS BEFORE SLIPPING THEM INTO THE HOLES.

S268X-IS001

PULPWOOD CAR ROD ASSEMBLY



PLACE THE METAL RODS INTO THE HOLES ON THE TOP OF THE WOOD POSTS. VERY CAREFULLY APPLY A VERY SMALL AMOUNT OF LIQUID GLUE TO THE ENDS OF THE RODS BEFORE SLIPPING THEM INTO THE HOLES.

S268X-IS001